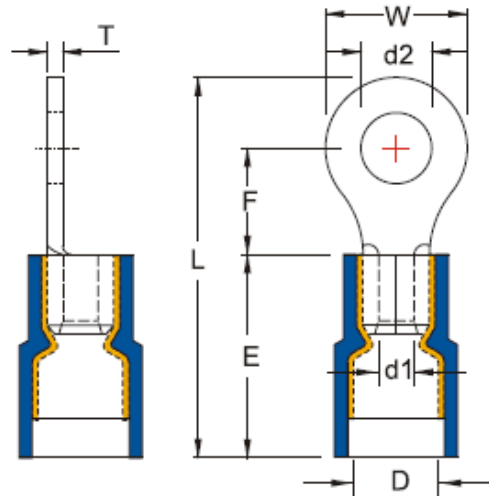
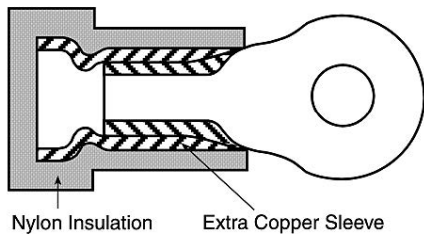


Datasheet

RS PRO Yellow Insulated Crimp Ring Terminal, 4mm² to 6mm², 12 AWG to 10 AWG, 4.3mm Stud Size
 RS Stock number [267-3903](#)



Technical Specification

- Maximum Electrical Current:** 12 AWG: 35A, 10 AWG: 50A
- Maximum Electrical Rating:** 105°C 600V maximum
- Insulation Material:** Nylon
- Insulation Colour:** Yellow
- Terminal Material:** Copper
- Double Crimp:** With copper sleeve on barrel

Dimensions

Wire Size (mm ² /AWG)	Stud Size		Dimensions (inch/mm)						
	d2		W	F	L	E	D	d1	T
	Size	(inch/mm)							
4-6 mm ² /12-10 AWG	#8	.169/4.3	.283/7.2	.240/6.1	.894/22.7	.512/13.0	.276/7.0	.134/3.4	.039/1.0