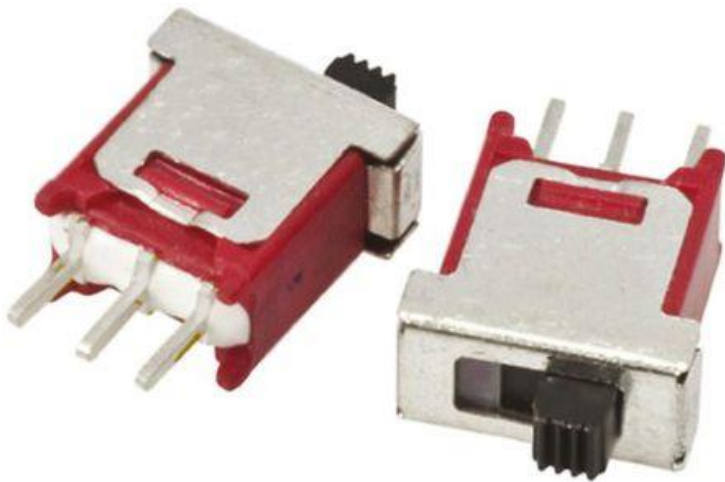


Datasheet

SPDT Slide Switch

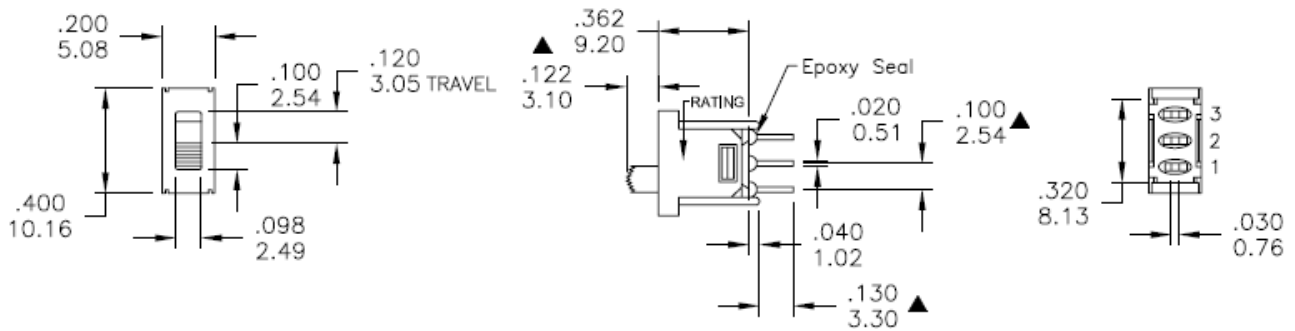
RS Stock number 734-7264



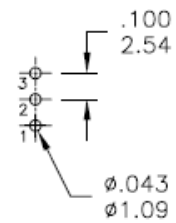
Specifications:

Mechanical Life:	30, 000 make-and-break cycles
Contact Resistance:	20m Ω max. @ 2-4V dc, 100mA
Insulation Resistance:	1,000M Ω min.
Dielectric Strength:	1,000Vrms min. @ sea level
Operating Temperature:	-30°C to 85°C
Case:	Dially Phthalate (DAP) (UL94v-0)
Actuator:	Nylon, black std.
Housing:	Brass, tin plated
Contact:	Silver or gold plated
Terminals:	Gold or silver plated copper alloy
Rating:	R: 0.4VA max. @20V max. (ac or dc) Q: 1A with resistant load @ 250Vac 3A with resistant load @ 120Vac or 28Vdc

Dimensions – inch
mm



P.C. MOUNTING



Model No.	POS.1	POS.2	POS.3
5FS1	ON	NONE	ON
Term. Comm.	2-1	OPEN	2-3
SCHEMATIC			

SWITCH FUNCTION