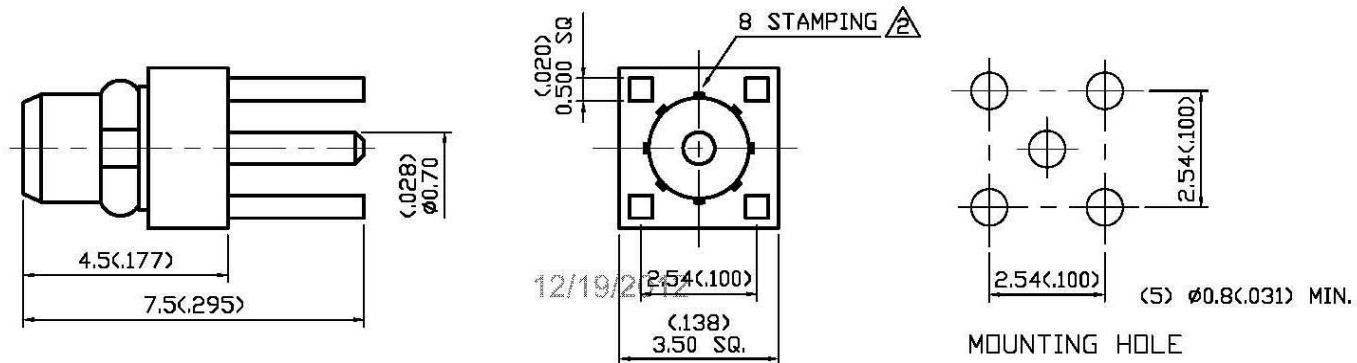


NO	DESCRIPTION	DATE
①	MODIFICATION NOTES 4.1	10.21.04'
②	ADD 8 STAMPING	02.23.06'
③	WORKING VOLTAGE → VOLTAGE RATING DEL PROOF VOLTAGE	12.19.12'



1.0 ELECTRICAL

- 1.1 FREQUENCY RANGE: DC-6 GHz
- 1.2 NOMINAL IMPEDANCE: 50 OHMS
- 1.3 VOLTAGE RATING: 250 VOLTS MAX. ③
- 1.4 VSWR: 1.22 MAX.

2.0 MATERIALS

- 2.1 BODIES: BRASS PER JIS-C3604
BERYLLIUM COPPER PER ASTM B196 UNS C17300
- 2.2 CENTER CONTACT: BRASS PER JIS-C3604
- 2.3 INSULATION: TEFLON PER ASTM D1457 AND ASTM D1710

3.0 FINISHES AND OTHERS

- 3.1 SEE BELOW TABLE FOR DETAILS.

4.0 MECHANICAL

- 4.1 INTERFACE IN ACCORDANCE WITH: BS EN 122340 ①

5.0 ENVIRONMENTAL

- 5.1 OPERATING TEMPERATURE RANGE: -55° C TO +155° C

NO	DESCRIPTION	MATERIAL	Q'TY	FINISH
4	CENTER CONTACT	BRASS	1	GOLD 30μ" MIN.
3	INSULATION	TEFLON	1	NONE
2	WASHER	BERYLLIUM COPPER	1	GOLD 3μ" MIN.
1	BODY	BRASS	1	GOLD 3μ" MIN.



APPROVED by _____ DATE: _____

DESCRIPTION		MMCX STRAIGHT PCB MOUNT PLUG RECEPTACLE						
製圖	DRAWN	TOLERANCE	品名	37-05 T.G.G	日期	DATE	版次	REV.
	Yoko							
檢圖	CHECK	單位	單位	DWG.NO.	37-0029			
	Arc					.XX ±0.1	UNIT	mm(in)
認定	APPROVAL	ANGLE	比例					
	Angela			.XXX ±0.05	SCALE	8:1		