

1

2

3

4

5

6

A

B

C

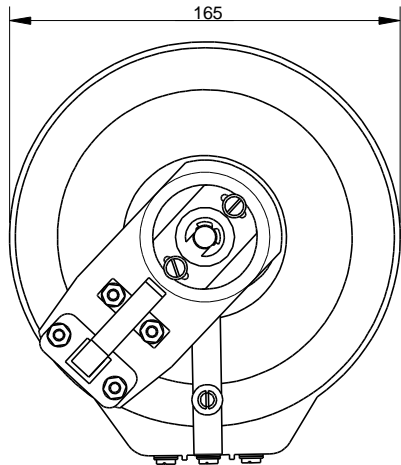
D

A

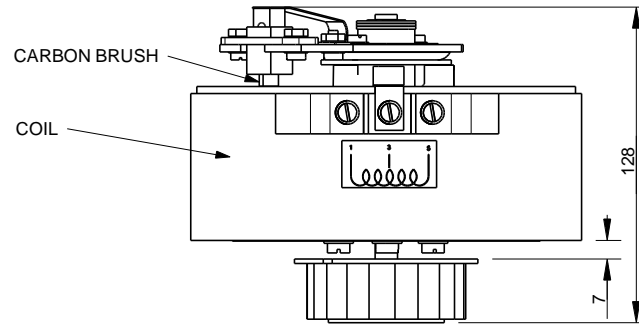
B

C

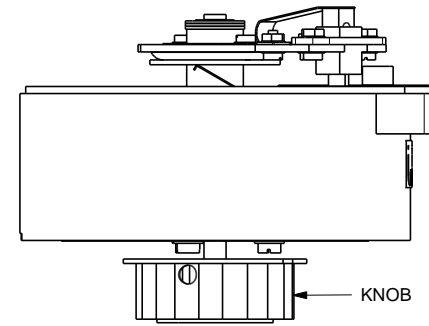
D



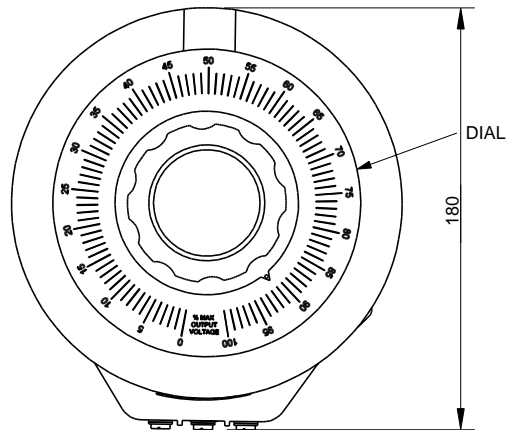
TOP VIEW



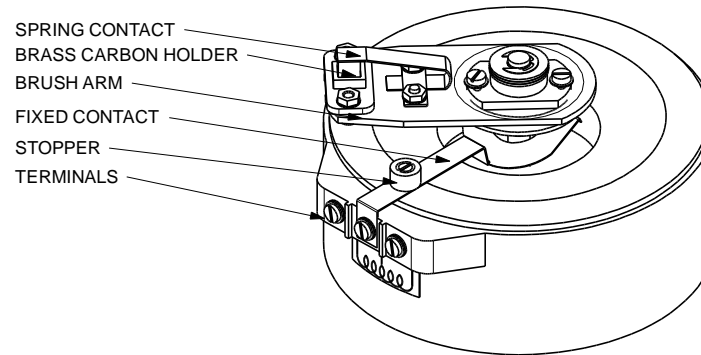
FRONT VIEW




LHS VIEW



BOTTOM VIEW



ISOMETRIC VIEW

CLIENT:-	Drawn RK	Checked MR	Drawn Date 22-6-2015	Approved By - Date MR 22-6-2015	Scale NTS
 PART CODE 8902838	TITLE:- CAST RESIN / OPEN / BACK OF PANEL MOUNTING TYPE: 4X-1				
	DWG NO:- VAC/VAR/GA/18/62015			SHEET No: 1-1	

1

2

3

4

5

6