

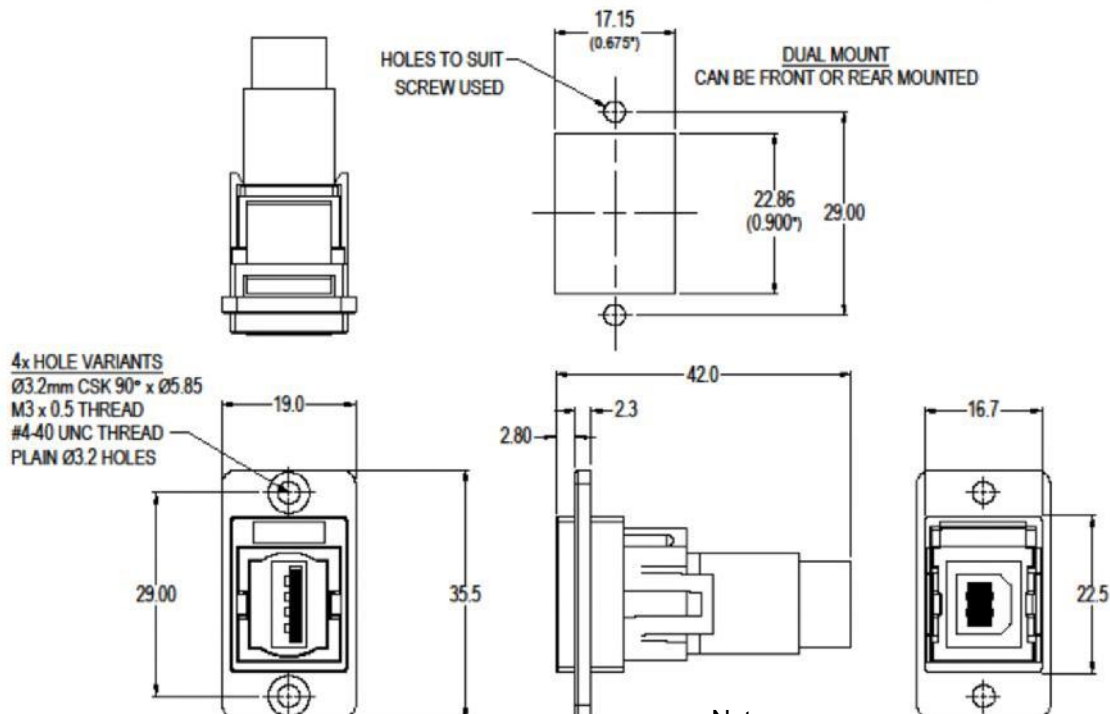


ENGLISH

Datasheet

RS PRO SLIM DUAL MOUNTING METAL FRAME USB2.0 A-B FT CONNECTOR

Stock No: 2354756, 2354757



Material:
1. Insert: ABS
2. Frame: Diecast, Nickel or black plated
3. Shell: Nickel plated steel
4. Contacts: Gold Plated

rspro.com

Notes:

1. Voltage rating: 30V AC
2. Current rating: 1.5 A max
3. Contact resistance: 50mΩ max
4. Insulation resistance: 20MΩ min
5. Dielectric withstanding voltage: 500V AC
6. Operating Temperature: -20°C to 50°C

Features & Benefits:

- Fits standard rectangular cutout.
- Front or rear mounting through the panel.
- Various hole mounting options
- No soldering or punch termination. Use standard cable for each connector style.
- Low rear profile.

General:

Please note: Functionality is affected by cable quality, length and cable wiring configuration.

Other models available:

Part No.

2354756 - DUALSLIM FT USB2.0 A-B Nickel frame, CSK holes

2354757 - DUALSLIM FT USB2.0 A-B Black metal frame, CSK holes

Applications

- Space and aviation
- Education
- Industrial
- Broadcast and A/V
- Transportation
- Medical
- Vending and gaming



rspro.com

