

24W Desk Top External Power Supplies

multicomp PRO

**RoHS
Compliant**

Features

- C8 Input
- DOE Level VI Efficiency
- Overcurrent Protection
- Short Circuit Protection
- 1 Year Warranty
- EN62368 Approved
- DC Cable Length: 1500mm

Model		MP007790	MP007791	MP007792
Output	DC Voltage	5V DC	12V DC	24V DC
	Rated Current	4Amp	2Amp	1Amp
	Current Range	0Amp to 4Amp	0Amp to 2Amp	0Amp to 1Amp
	Rated Power	24 Watt		
	Ripple & Noise	240mVp-p max		
	Output Regulation	±5%		
	Output Connector	2.1mm × 5.5mm × 12mm C+ve		
Input	Voltage Range	90V AC to 264V AC		
	Frequency Range	47Hz to 63Hz		
	Input Current	1.2Amp Max		
	Inrush Current	40Amp Max		
	Standby Power	0.21Amp Max		
	Leakage Current	0.25Amp Max		
	Input Connector	C8		
Environment	Operating Temperature	0°C to 40° C		
	Cooling	Convection		
	Temperature Coefficient	0.05 %/°C		
	Humidity	5%RH to 95%RH (non-condensing)		
	Storage Temp	-20°C to +80%°C		
Safety & EMC	Safety Standards	UL/CuL 62368-1, GS/TUV EN62368-1, SAA AN/NZ 62368.1		
	EMC Emissions	EN55032,EN55035, FCC Part 15 Class B		

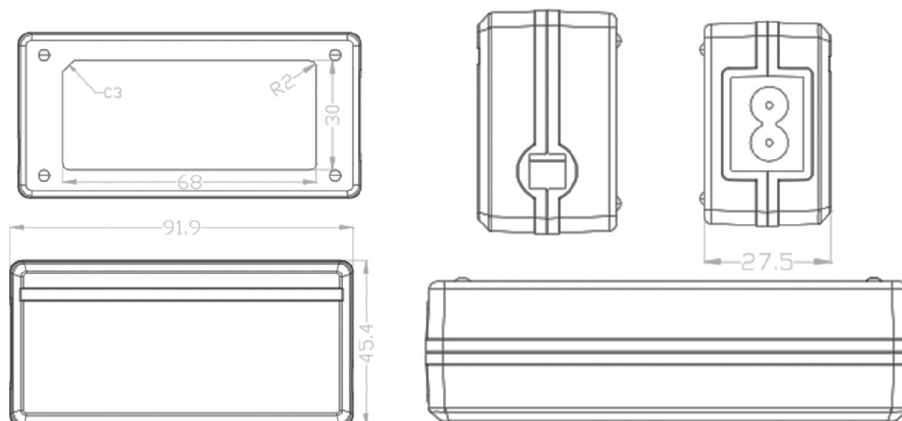
Newark.com/multicomp-pro
Farnell.com/multicomp-pro
Element14.com/multicomp-pro

multicomp PRO

24W Desk Top External Power Supplies

multicompPRO

Mechanical Specification



Dimensions : Millimetres

Part Number Table

Description	Part Number
Desk Top External Power Supply, 24W, 5V, 4A	MP007790
Desk Top External Power Supply, 24W, 12V, 2A	MP007791
Desk Top External Power Supply, 24W, 24V, 1A	MP007792

Important Notice : This data sheet and its contents (the "Information") belong to the members of the AVNET group of companies (the "Group") or are licensed to it. No licence is granted for the use of it other than for information purposes in connection with the products to which it relates. No licence of any intellectual property rights is granted. The Information is subject to change without notice and replaces all data sheets previously supplied. The Information supplied is believed to be accurate but the Group assumes no responsibility for its accuracy or completeness, any error in or omission from it or for any use made of it. Users of this data sheet should check for themselves the Information and the suitability of the products for their purpose and not make any assumptions based on information included or omitted. Liability for loss or damage resulting from any reliance on the Information or use of it (including liability resulting from negligence or where the Group was aware of the possibility of such loss or damage arising) is excluded. This will not operate to limit or restrict the Group's liability for death or personal injury resulting from its negligence. DURATOOL is the registered trademark of Premier Farnell Limited 2019.

Newark.com/multicomp-pro
Farnell.com/multicomp-pro
Element14.com/multicomp-pro

multicompPRO