

ATEX Aluminum Enclosures with Silicon Seal

multicomp PRO

**RoHS
Compliant**



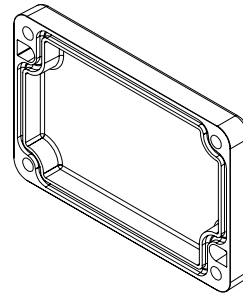
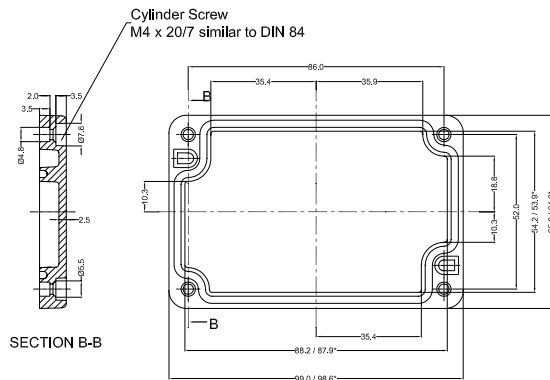
MP007252 - 98mm × 64mm × 34mm

Optional Accessories		
Part Name	Qty.	Availability
Mounting Plate	1	Y
External Hinge	-	N
Internal Hinge	-	N
Mounting Brackets	-	N
Din Rail TS15	-	N
Din Rail TS35	-	N

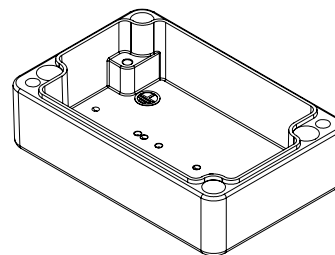
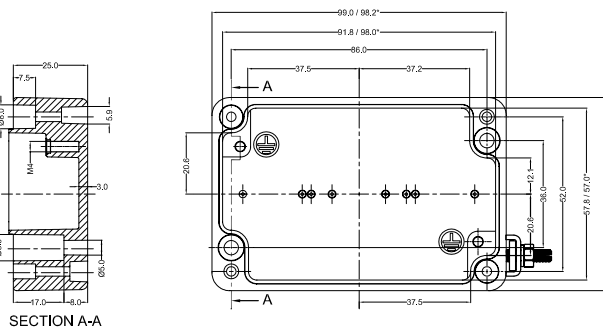
* = Conical form tapering downward.

Untoleranced dimensions per GTA 13/5 DIN 1688

LID



BASE



Dimensions : Millimetres

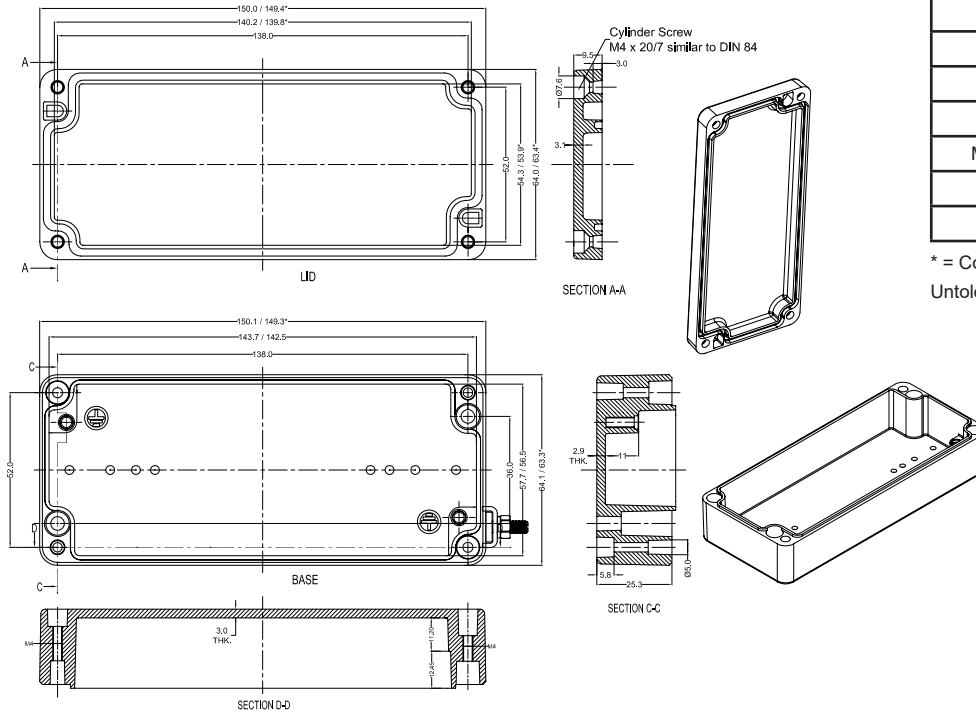
Newark.com/multicomp-pro
Farnell.com/multicomp-pro
Element14.com/multicomp-pro

multicomp PRO

ATEX Aluminum Enclosures with Silicon Seal

multicomp PRO

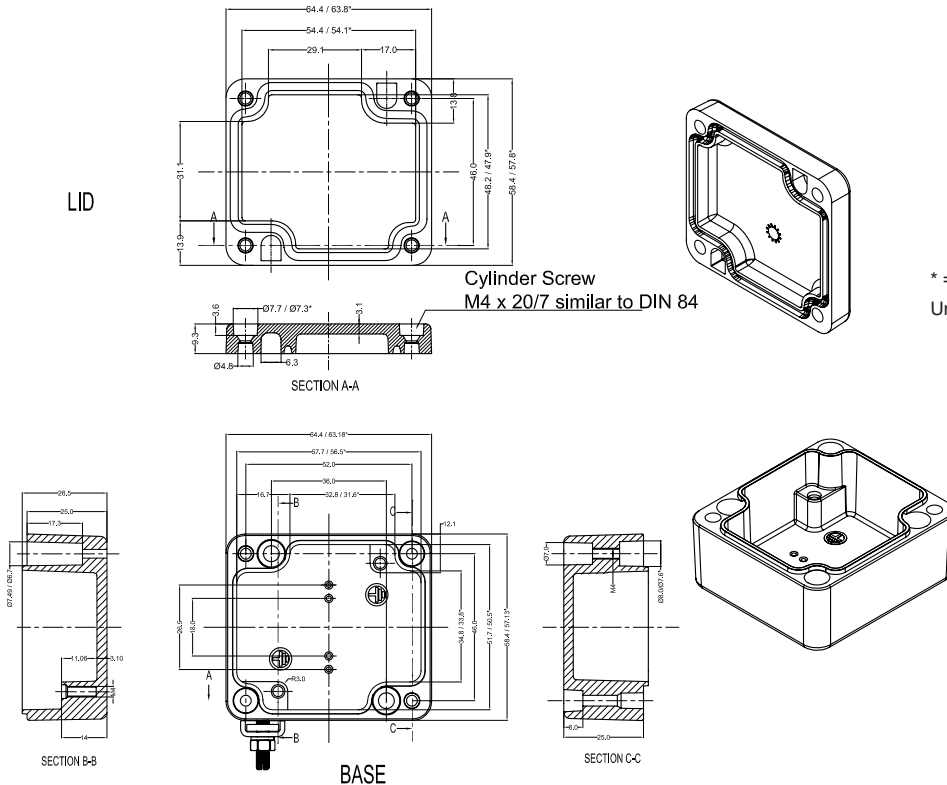
MP007253 - 150mm × 64mm × 34mm



Optional Accessories		
Part Name	Qty.	Availability
Mounting Plate	1	Y
External Hinge	-	N
Internal Hinge	-	N
Mounting Brackets	-	N
Din Rail TS15	-	N
Din Rail TS35	-	N

* = Conical form tapering downward.
 Untoleranced dimensions per GTA 13/5 DIN 1688

MP007254 - 58mm × 64mm × 34mm



Optional Accessories		
Part Name	Qty.	Availability
Mounting Plate	1	Y
External Hinge	-	N
Internal Hinge	-	N
Mounting Brackets	-	N
Din Rail TS15	-	N

* = Conical form tapering downward.
 Untoleranced dimensions per GTA 13/5 DIN 1688

Dimensions : Millimetres

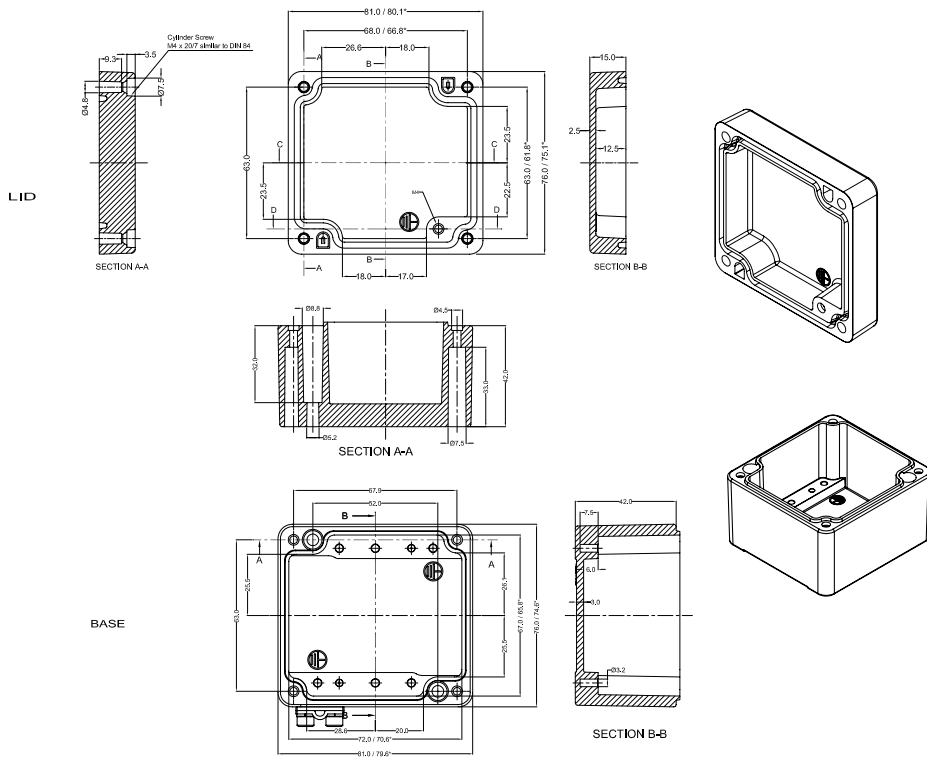
Newark.com/multicomp-pro
 Farnell.com/multicomp-pro
 Element14.com/multicomp-pro

multicomp PRO

ATEX Aluminum Enclosures with Silicon Seal

multicomp PRO

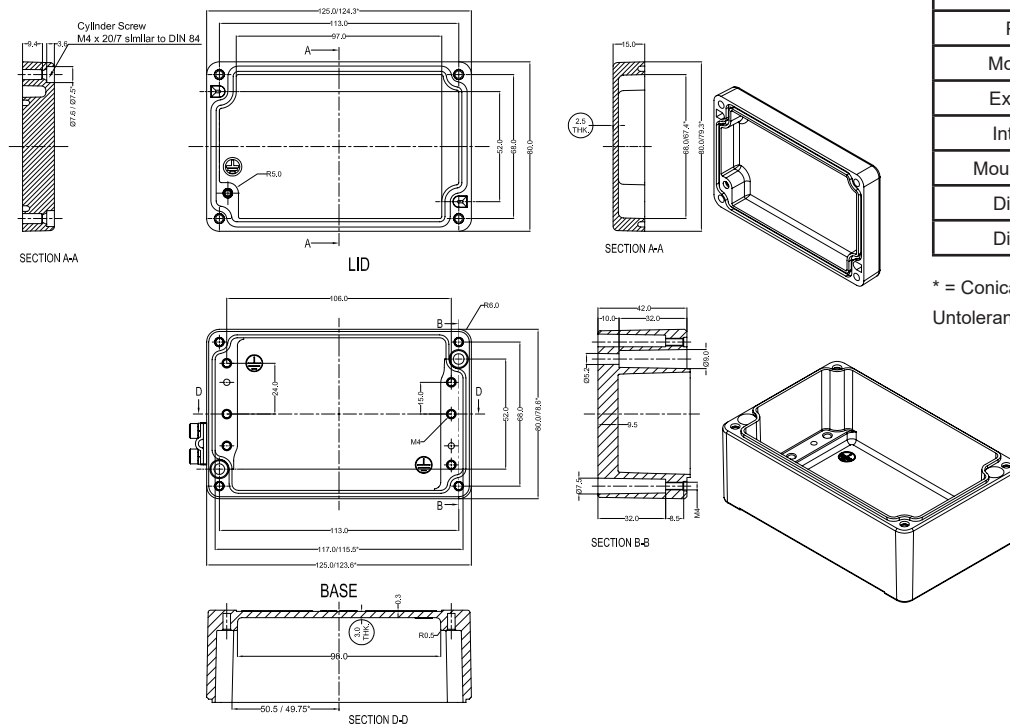
MP007255 - 75mm × 80mm × 57mm



Optional Accessories		
Part Name	Qty.	Availability
Mounting Plate	1	Y
External Hinge	-	N
Internal Hinge	-	N
Mounting Brackets	-	N
Din Rail TS15	1	Y
Din Rail TS35	-	N

* = Conical form tapering downward.
Untoleranced dimensions per GTA 13/5 DIN 1688

DAA4200026 - 125mm × 80mm × 57mm



Optional Accessories		
Part Name	Qty.	Availability
Mounting Plate	1	Y
External Hinge	-	N
Internal Hinge	-	N
Mounting Brackets	-	N
Din Rail TS15	1	Y
Din Rail TS35	-	N

* = Conical form tapering downward.
Untoleranced dimensions per GTA 13/5 DIN 1688

Dimensions : Millimetres

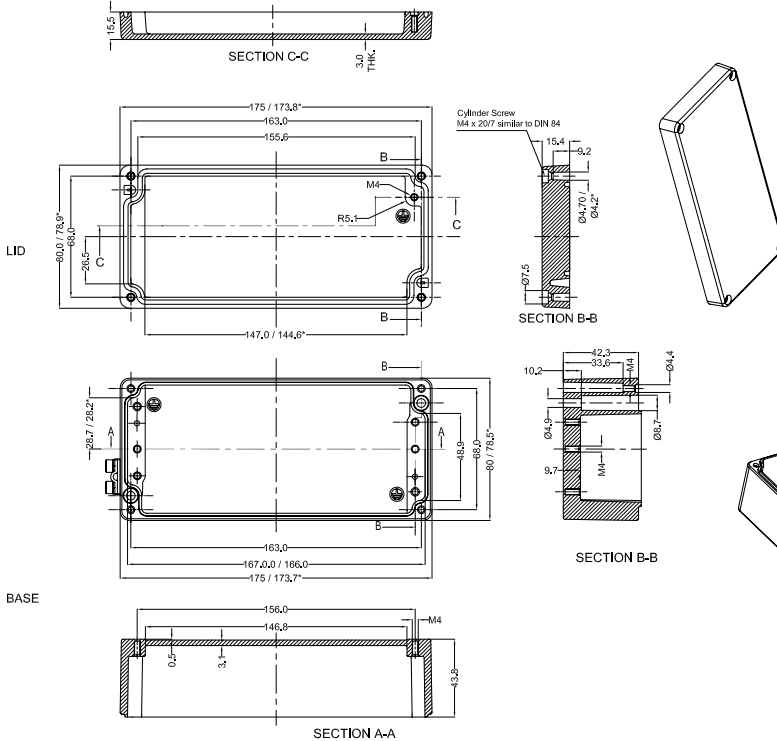
Newark.com/multicomp-pro
Farnell.com/multicomp-pro
Element14.com/multicomp-pro

multicomp PRO

ATEX Aluminum Enclosures with Silicon Seal

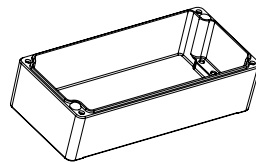
multicomp PRO

MP007257 - 175mm × 80mm × 57mm

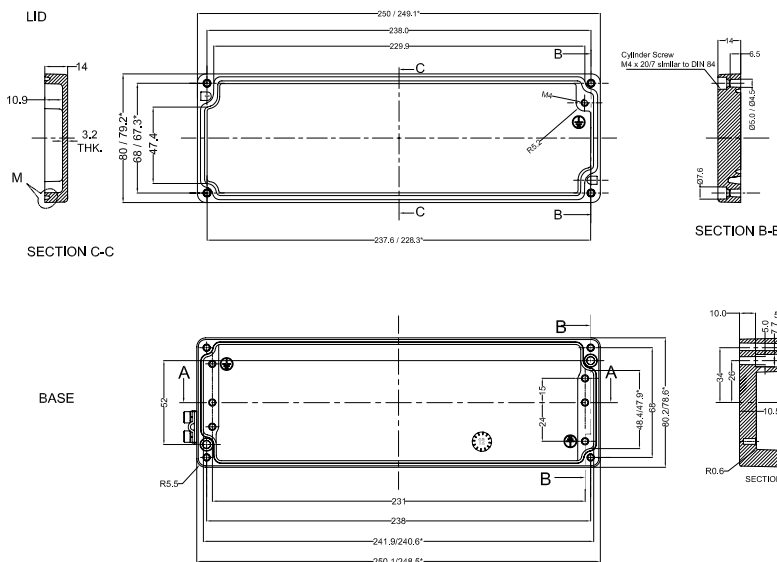


Optional Accessories		
Part Name	Qty.	Availability
Mounting Plate	1	Y
External Hinge	-	N
Internal Hinge	-	N
Mounting Brackets	-	N
Din Rail TS15	1	Y
Din Rail TS35	-	N

* = Conical form tapering downward.
 Untoleranced dimensions per GTA 13/5 DIN 1688

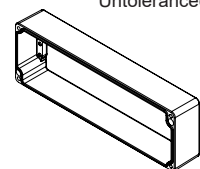


MP007258 - 250mm × 80mm × 54mm



Optional Accessories		
Part Name	Qty.	Availability
Mounting Plate	1	Y
External Hinge	-	N
Internal Hinge	-	N
Mounting Brackets	-	N
Din Rail TS15	1	Y
Din Rail TS35	-	N

* = Conical form tapering downward.
 Untoleranced dimensions per GTA 13/5 DIN 1688



Dimensions : Millimetres

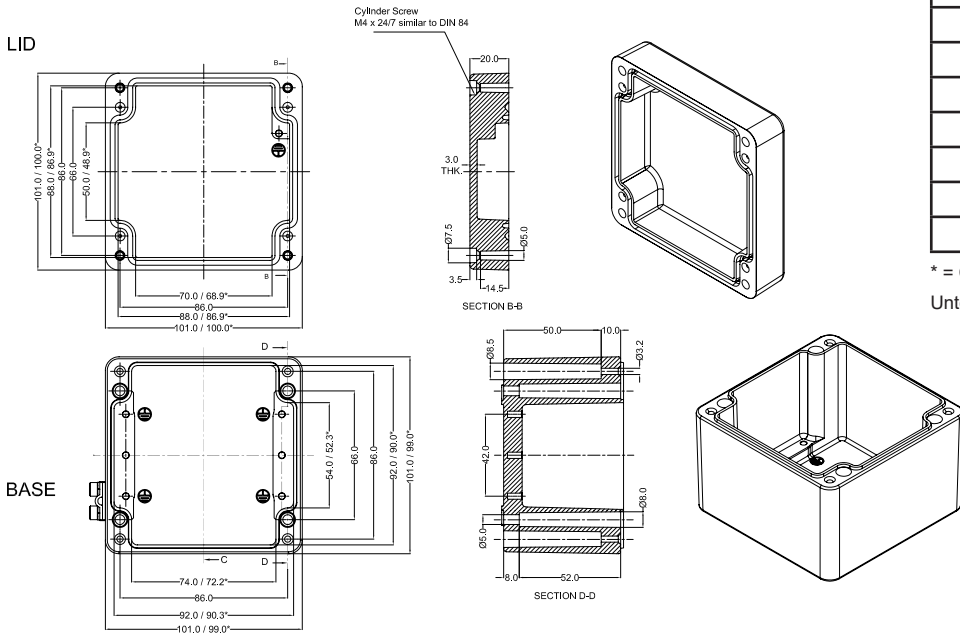
Newark.com/multicomp-pro
 Farnell.com/multicomp-pro
 Element14.com/multicomp-pro

multicomp PRO

ATEX Aluminum Enclosures with Silicon Seal

multicomp PRO

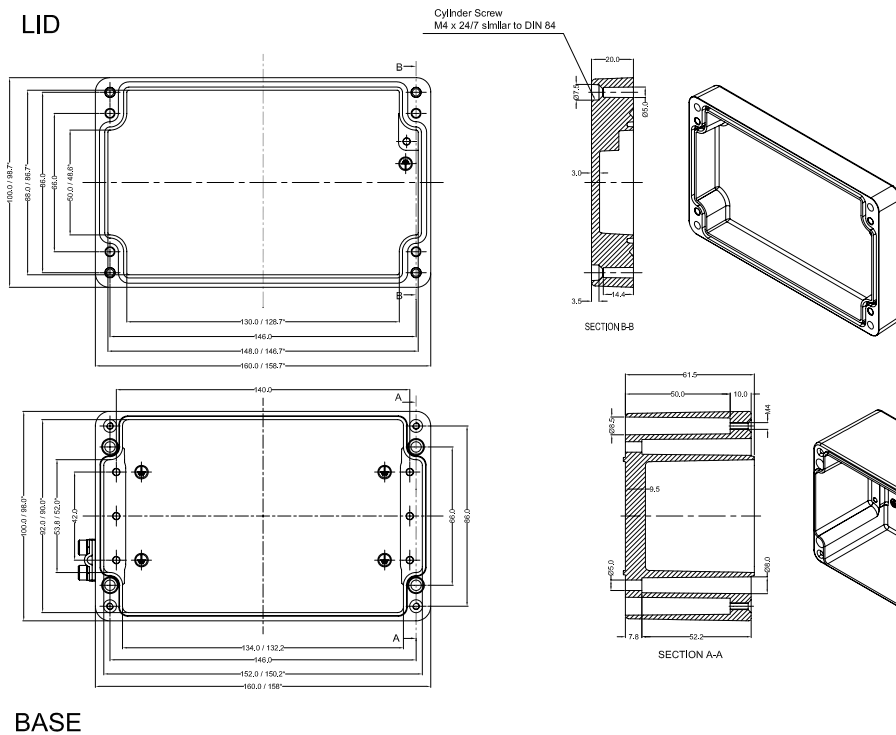
MP007259 - 100mm × 100mm × 80mm



Optional Accessories		
Part Name	Qty.	Availability
Mounting Plate	1	Y
External Hinge	2	Y
Internal Hinge	-	N
Mounting Brackets	4	Y
Din Rail TS15	1	Y
Din Rail TS35	-	N

* = Conical form tapering downward.
 Untoleranced dimensions per GTA 13/5 DIN 1688

MP007260 - 160mm × 100mm × 81mm



Optional Accessories		
Part Name	Qty.	Availability
Mounting Plate	1	Y
External Hinge	2	Y
Internal Hinge	-	N
Mounting Brackets	4	Y
Din Rail TS15	1	Y
Din Rail TS35	-	N

* = Conical form tapering downward.
 Untoleranced dimensions per GTA 13/5 DIN 1688

Dimensions : Millimetres

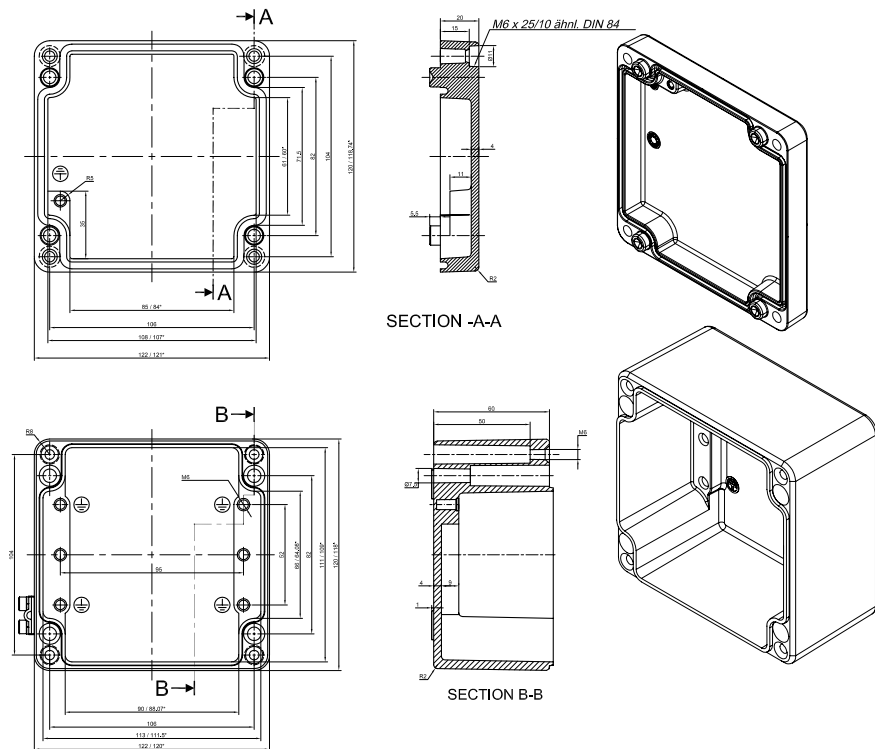
Newark.com/multicomp-pro
 Farnell.com/multicomp-pro
 Element14.com/multicomp-pro

multicomp PRO

ATEX Aluminum Enclosures with Silicon Seal

multicomp PRO

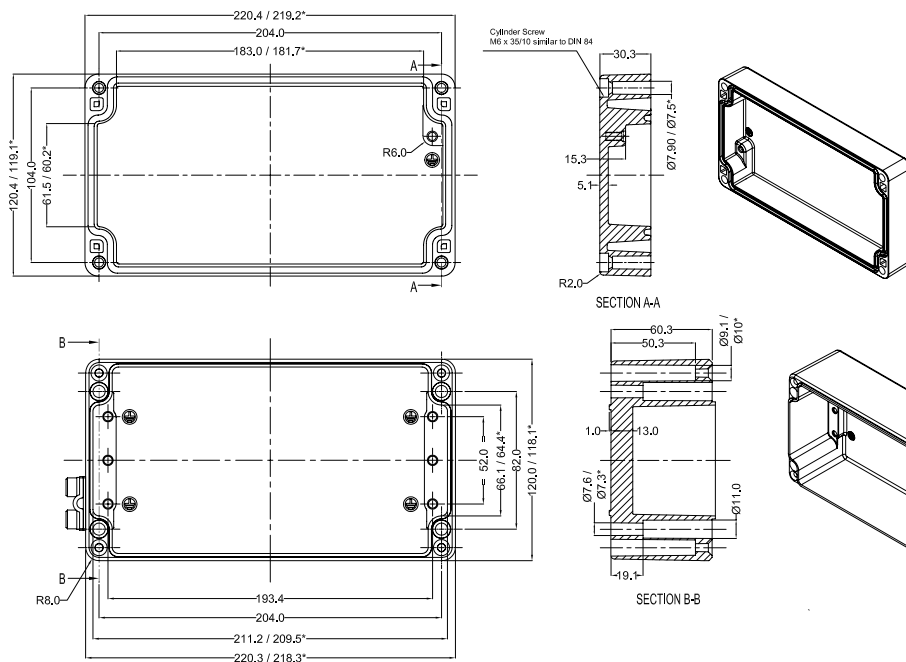
MP007261 - 122mm × 120mm × 81mm



Optional Accessories		
Part Name	Qty.	Availability
Mounting Plate	1	Y
External Hinge	2	Y
Internal Hinge	-	N
Mounting Brackets	4	Y
Din Rail TS15	-	N
Din Rail TS35	1	Y

* = Conical form tapering downward.
 Untoleranced dimensions per GTA 13/5 DIN 1688

MP007262 - 220mm × 120mm × 90mm



Optional Accessories		
Part Name	Qty.	Availability
Mounting Plate	1	Y
External Hinge	2	Y
Internal Hinge	-	N
Mounting Brackets	4	Y
Din Rail TS15	-	N
Din Rail TS35	1	Y

* = Conical form tapering downward.
 Untoleranced dimensions per GTA 13/5 DIN 1688

Dimensions : Millimetres

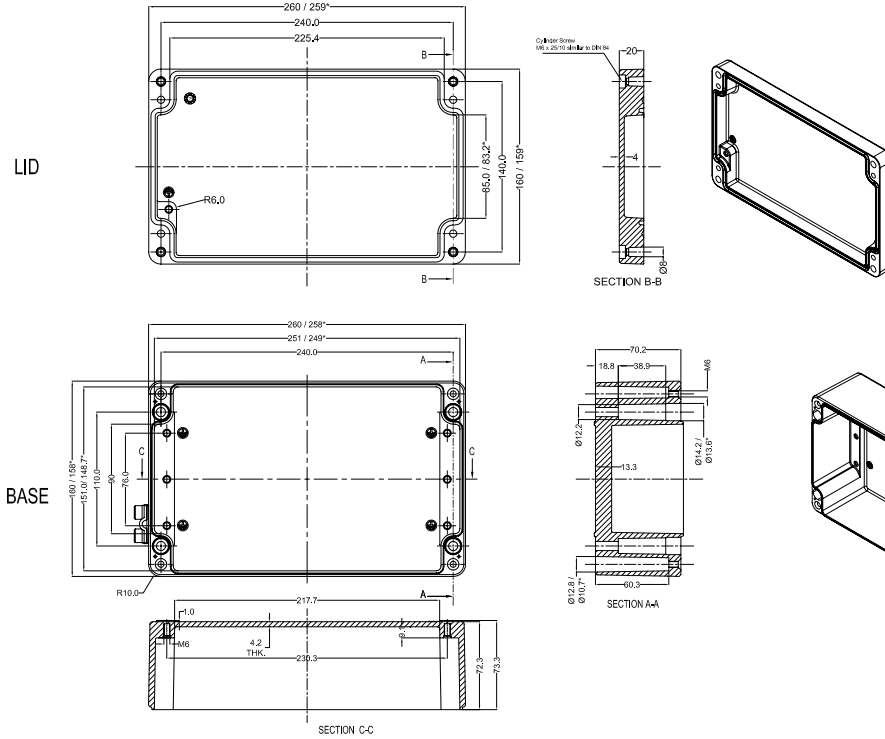
Newark.com/multicomp-pro
 Farnell.com/multicomp-pro
 Element14.com/multicomp-pro

multicomp PRO

ATEX Aluminum Enclosures with Silicon Seal

multicomp PRO

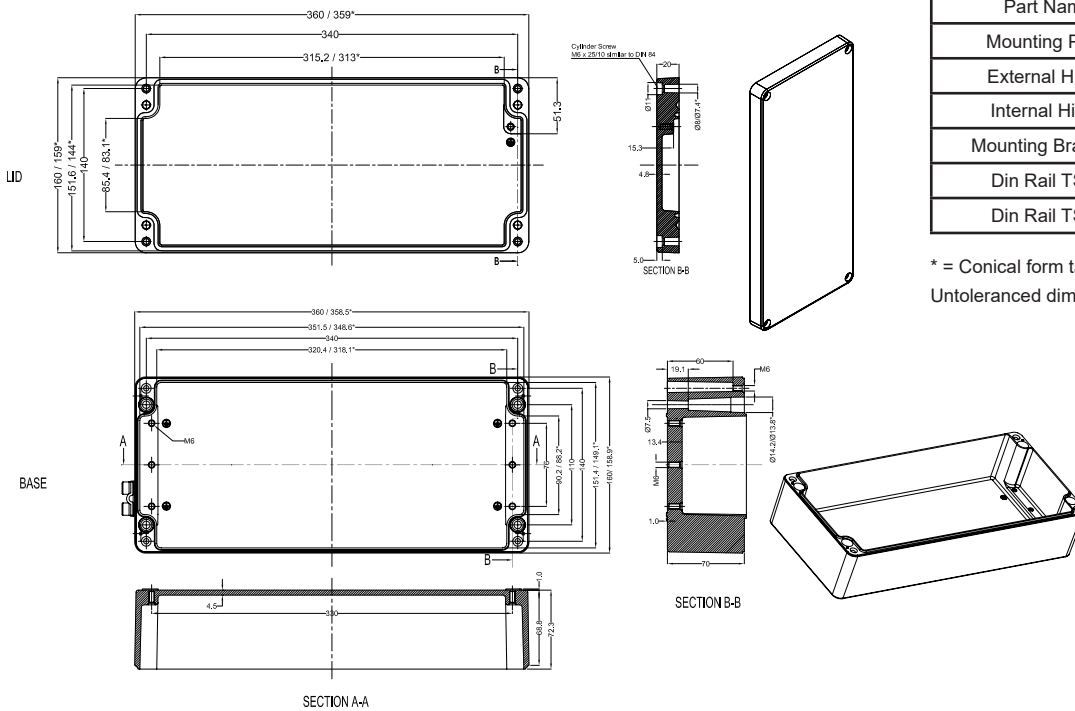
MP007263 - 260mm × 160mm × 90mm



Optional Accessories		
Part Name	Qty.	Availability
Mounting Plate	1	Y
External Hinge	2	Y
Internal Hinge	2	Y
Mounting Brackets	4	Y
Din Rail TS15	-	N
Din Rail TS35	1	Y

* = Conical form tapering downward.
Untoleranced dimensions per GTA 13/5 DIN 1688

MP007264 - 360mm × 160mm × 90mm



Optional Accessories		
Part Name	Qty.	Availability
Mounting Plate	1	Y
External Hinge	2	Y
Internal Hinge	2	Y
Mounting Brackets	4	Y
Din Rail TS15	-	N
Din Rail TS35	1	Y

* = Conical form tapering downward.
Untoleranced dimensions per GTA 13/5 DIN 1688

Dimensions : Millimetres

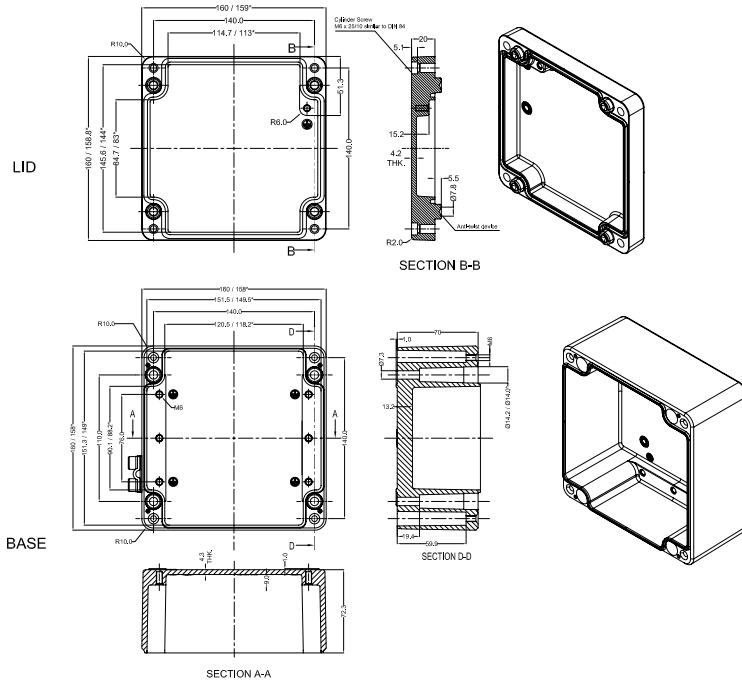
Newark.com/multicomp-pro
Farnell.com/multicomp-pro
Element14.com/multicomp-pro

multicomp PRO

ATEX Aluminum Enclosures with Silicon Seal

multicomp PRO

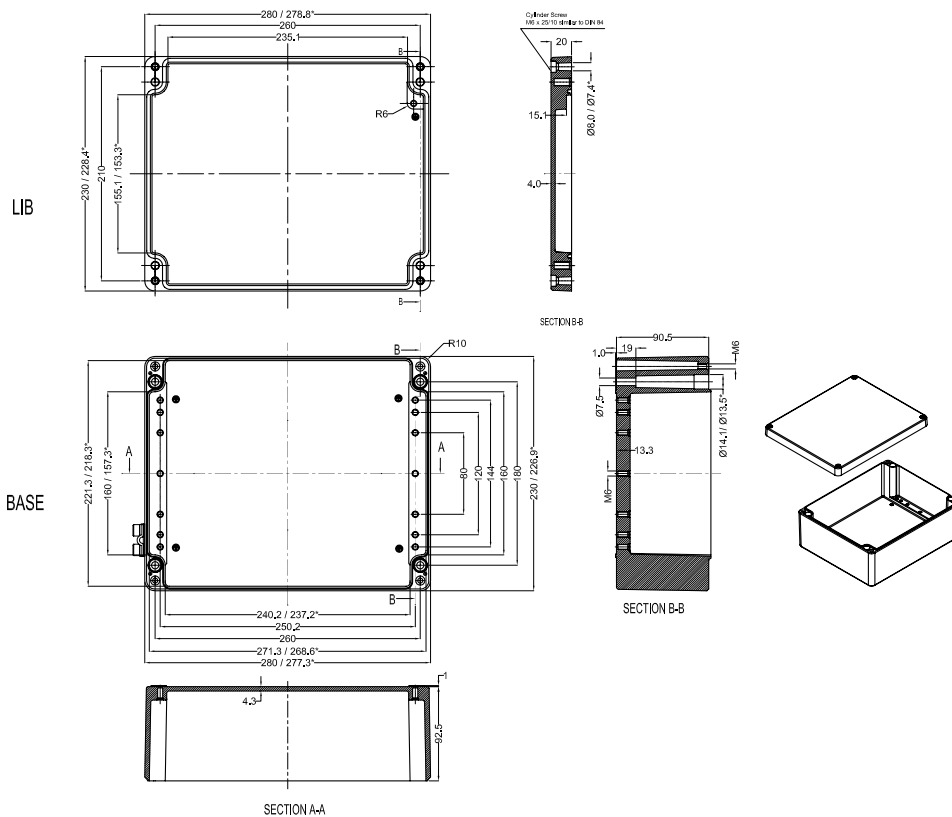
MP007265 - 160mm x 160mm x 91mm



Optional Accessories		
Part Name	Qty.	Availability
Mounting Plate	1	Y
External Hinge	2	Y
Internal Hinge	2	Y
Mounting Brackets	4	Y
Din Rail TS15	-	N
Din Rail TS35	1	Y

* = Conical form tapering downward.
 Untoleranced dimensions per GTA 13/5 DIN 1688

MP007266 - 280mm x 230mm x 110mm



Dimensions : Millimetres

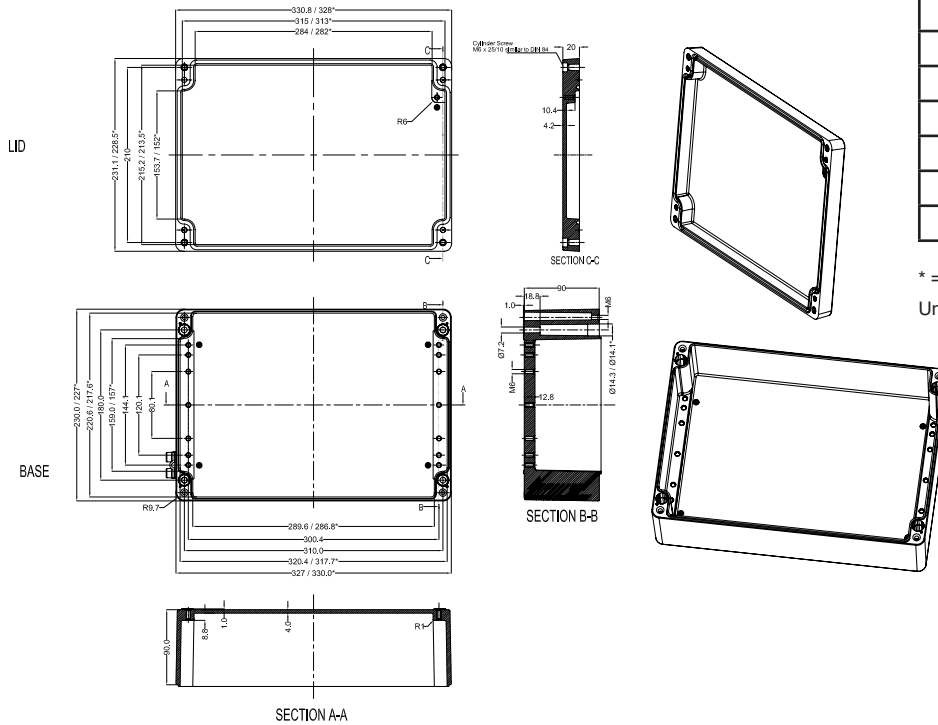
Newark.com/multicomp-pro
 Farnell.com/multicomp-pro
 Element14.com/multicomp-pro

multicomp PRO

ATEX Aluminum Enclosures with Silicon Seal

multicomp PRO

MP007267 - 330mm × 230mm × 110mm

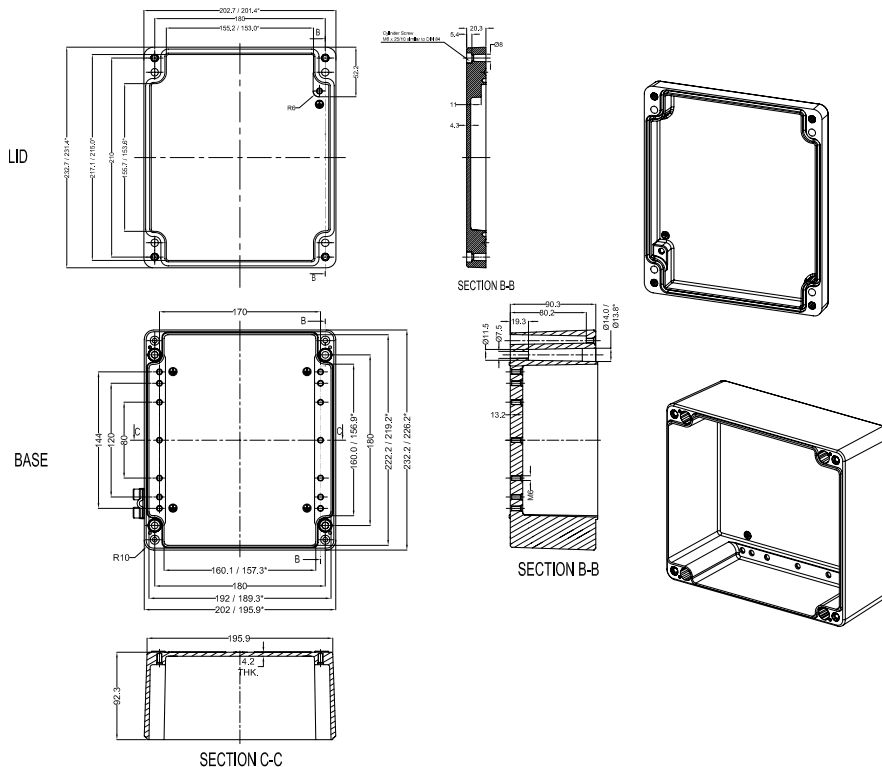


Optional Accessories		
Part Name	Qty.	Availability
Mounting Plate	1	Y
External Hinge	2	Y
Internal Hinge	2	Y
Mounting Brackets	4	Y
Din Rail TS15	-	N
Din Rail TS35	1	Y

* = Conical form tapering downward.

Untoleranced dimensions per GTA 13/5 DIN 1688

MP007268 - 230mm × 200mm × 110mm



Optional Accessories		
Part Name	Qty.	Availability
Mounting Plate	1	Y
External Hinge	2	Y
Internal Hinge	2	Y
Mounting Brackets	4	Y
Din Rail TS15	-	N
Din Rail TS35	1	Y

* = Conical form tapering downward.

Untoleranced dimensions per GTA 13/5 DIN 1688

Dimensions : Millimetres

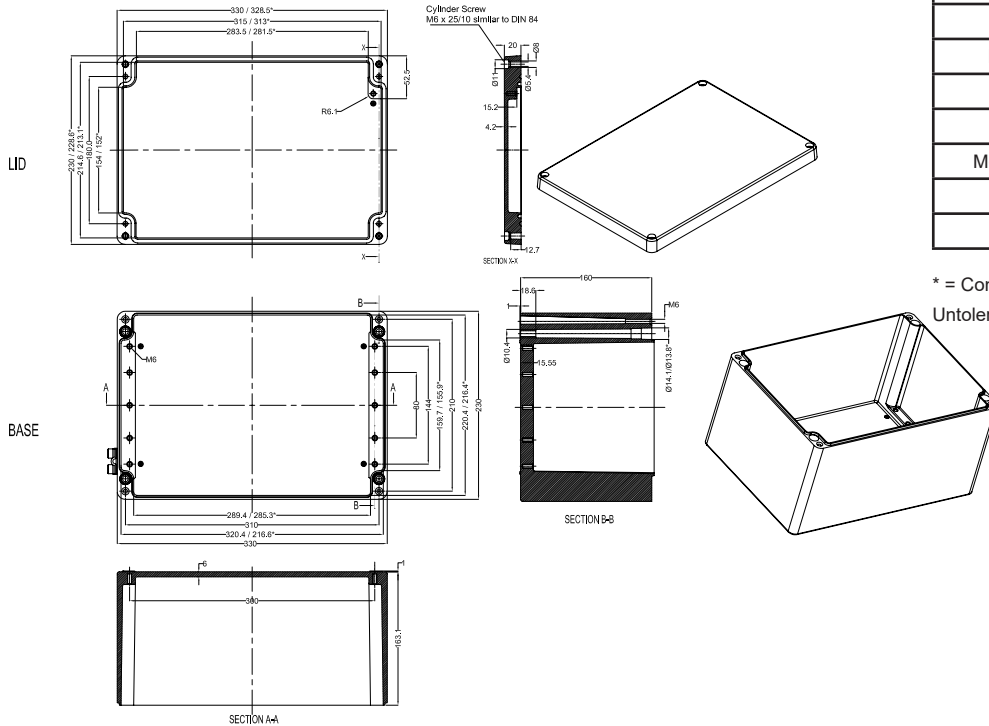
Newark.com/multicomp-pro
Farnell.com/multicomp-pro
Element14.com/multicomp-pro

multicomp PRO

ATEX Aluminum Enclosures with Silicon Seal

multicomp^{PRO}

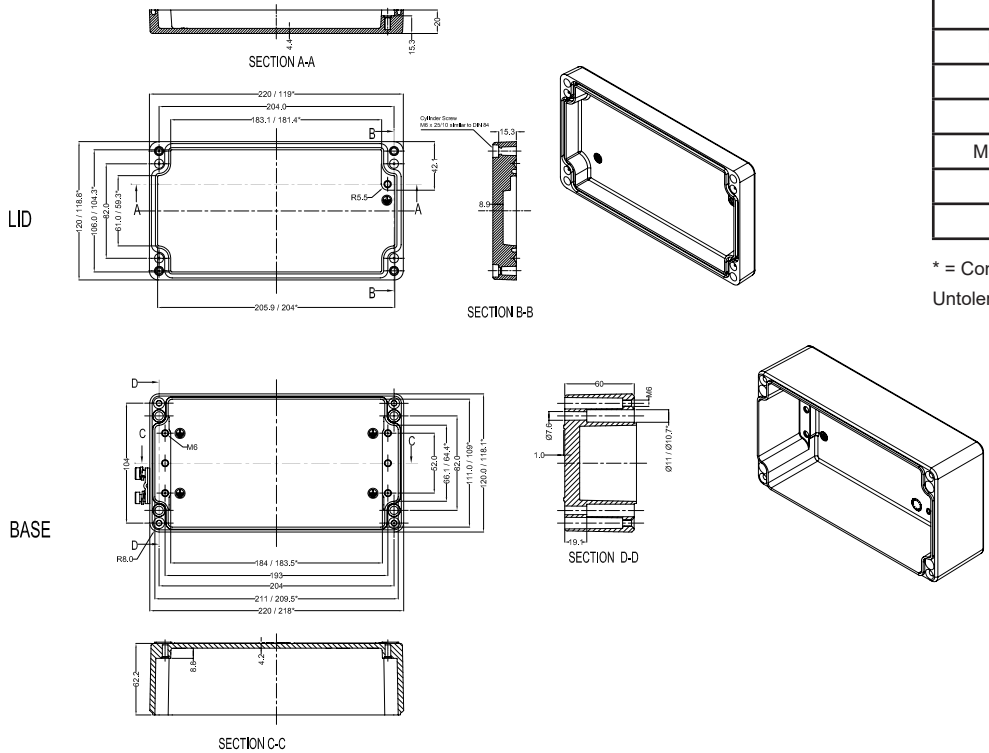
MP007269 - 330mm x 230mm x 180mm



Optional Accessories		
Part Name	Qty.	Availability
Mounting Plate	1	Y
External Hinge	2	Y
Internal Hinge	2	Y
Mounting Brackets	4	Y
Din Rail TS15	-	N
Din Rail TS35	1	Y

* = Conical form tapering downward.
Untoleranced dimensions per GTA 13/5 DIN 1688

MP007270 - 220mm x 120mm x 80mm



Optional Accessories		
Part Name	Qty.	Availability
Mounting Plate	1	Y
External Hinge	2	Y
Internal Hinge	-	N
Mounting Brackets	4	Y
Din Rail TS15	-	N
Din Rail TS35	1	Y

* = Conical form tapering downward.
Untoleranced dimensions per GTA 13/5 DIN 1688

Dimensions : Millimetres

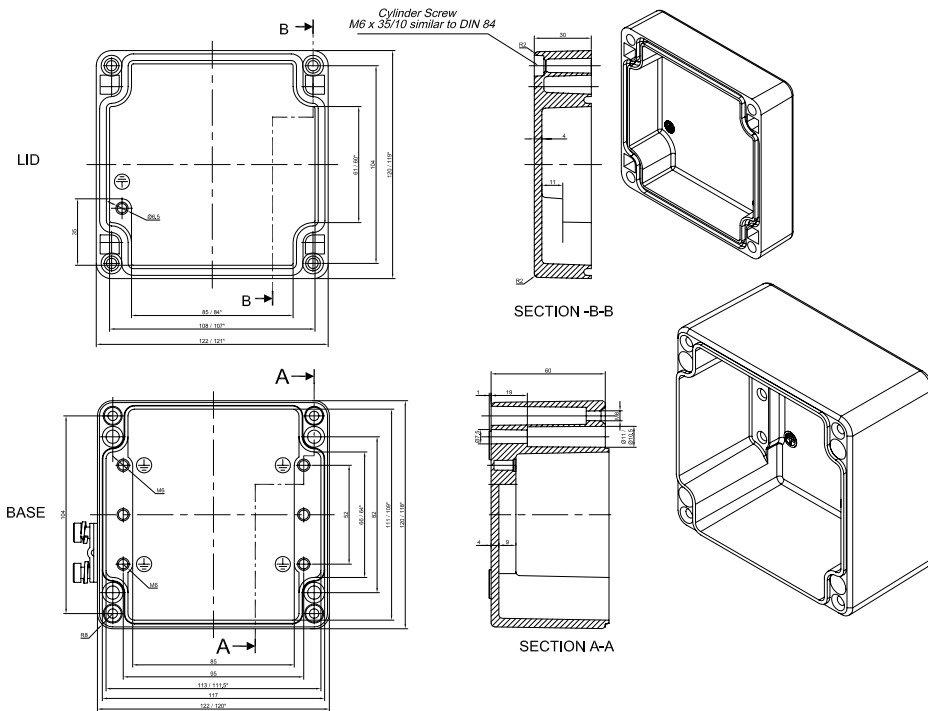
Newark.com/multicomp-pro
Farnell.com/multicomp-pro
Element14.com/multicomp-pro

multicomp^{PRO}

ATEX Aluminum Enclosures with Silicon Seal

multicomp PRO

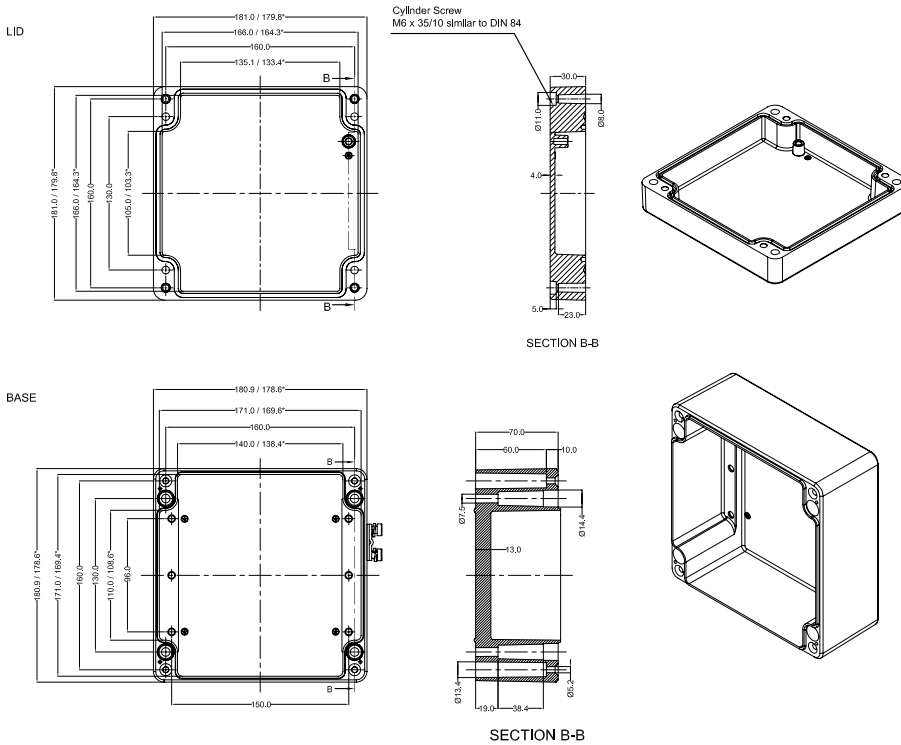
MP007271 - 122mm × 120mm × 90mm



Optional Accessories		
Part Name	Qty.	Availability
Mounting Plate	1	Y
External Hinge	2	Y
Internal Hinge	-	N
Mounting Brackets	4	Y
Din Rail TS15	-	N
Din Rail TS35	1	Y

* = Conical form tapering downward.
 Untoleranced dimensions per GTA 13/5 DIN 1688

MP007272 - 180mm × 180mm × 100mm



Optional Accessories		
Part Name	Qty.	Availability
Mounting Plate	1	Y
External Hinge	2	Y
Internal Hinge	2	Y
Mounting Brackets	4	Y
Din Rail TS15	-	N
Din Rail TS35	1	Y

* = Conical form tapering downward.
 Untoleranced dimensions per GTA 13/5 DIN 1688

Dimensions : Millimetres

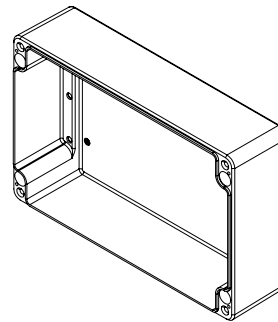
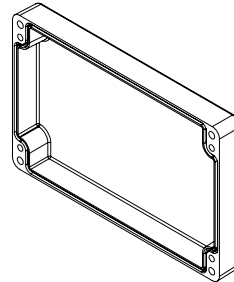
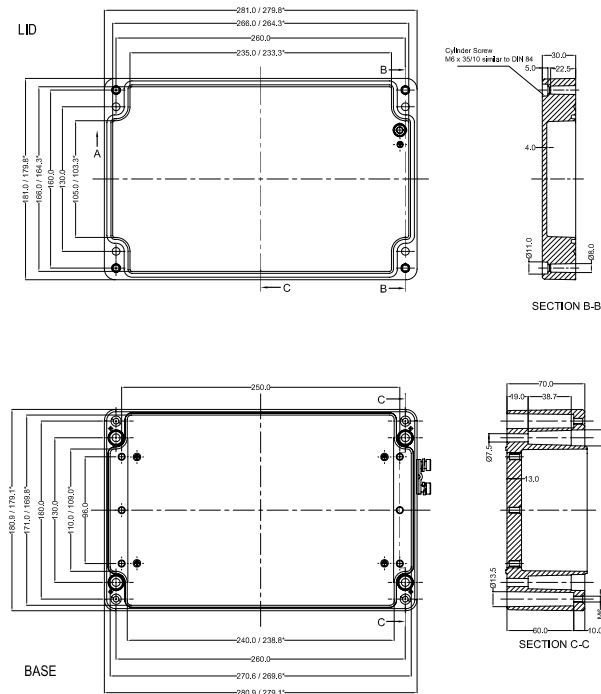
Newark.com/multicomp-pro
 Farnell.com/multicomp-pro
 Element14.com/multicomp-pro

multicomp PRO

ATEX Aluminum Enclosures with Silicon Seal

multicomp PRO

MP007273 - 280mm × 180mm × 100mm

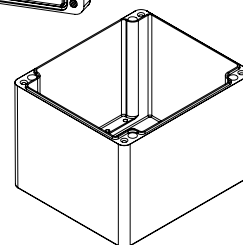
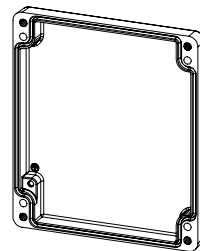
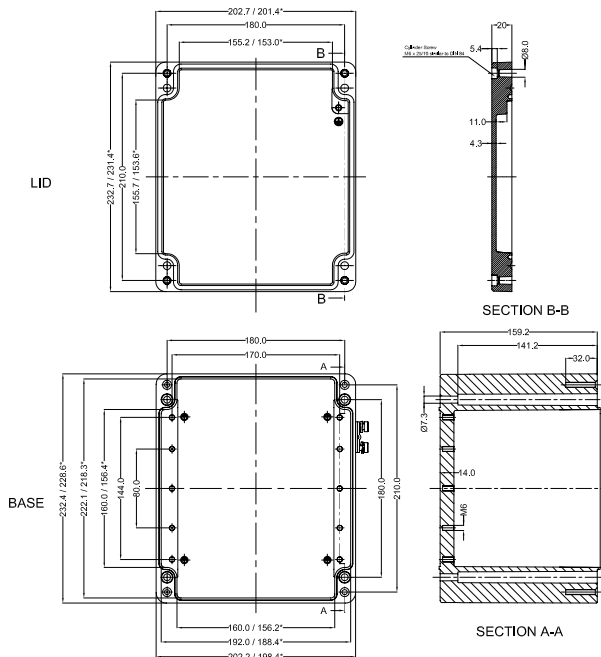


Optional Accessories		
Part Name	Qty.	Availability
Mounting Plate	1	Y
External Hinge	2	Y
Internal Hinge	2	Y
Mounting Brackets	4	Y
Din Rail TS15	-	N
Din Rail TS35	1	Y

* = Conical form tapering downward.

Untoleranced dimensions per GTA 13/5 DIN 1688

MP007274 - 200mm × 230mm × 180mm



Optional Accessories		
Part Name	Qty.	Availability
Mounting Plate	1	Y
External Hinge	2	Y
Internal Hinge	2	Y
Mounting Brackets	4	Y
Din Rail TS15	-	N
Din Rail TS35	1	Y

* = Conical form tapering downward.

Untoleranced dimensions per GTA 13/5 DIN 1688

Dimensions : Millimetres

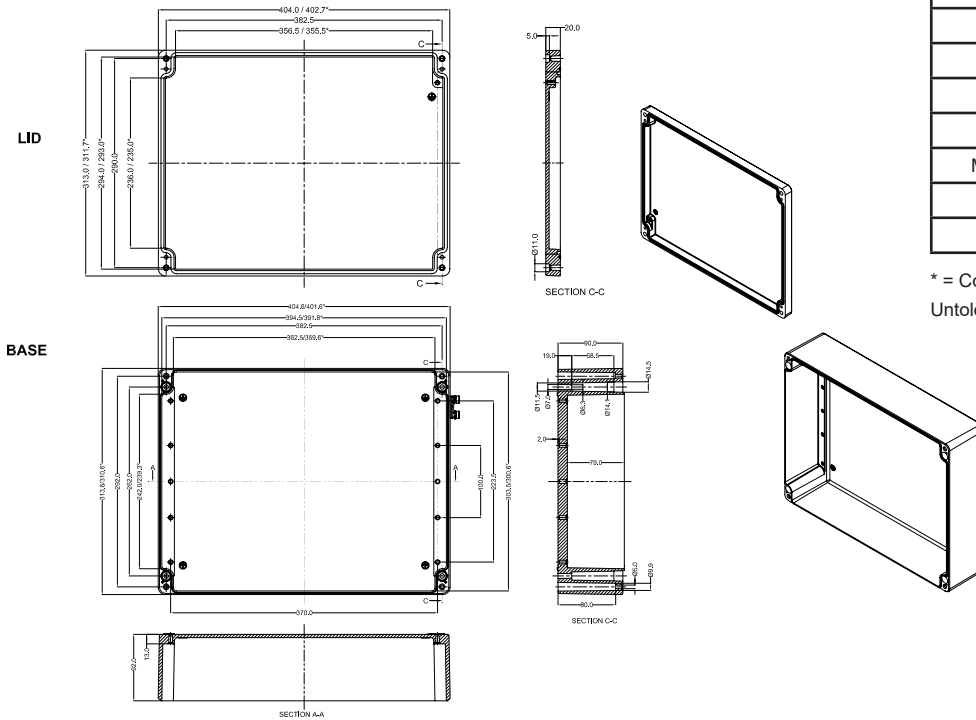
Newark.com/multicomp-pro
Farnell.com/multicomp-pro
Element14.com/multicomp-pro

multicomp PRO

ATEX Aluminum Enclosures with Silicon Seal

multicomp PRO

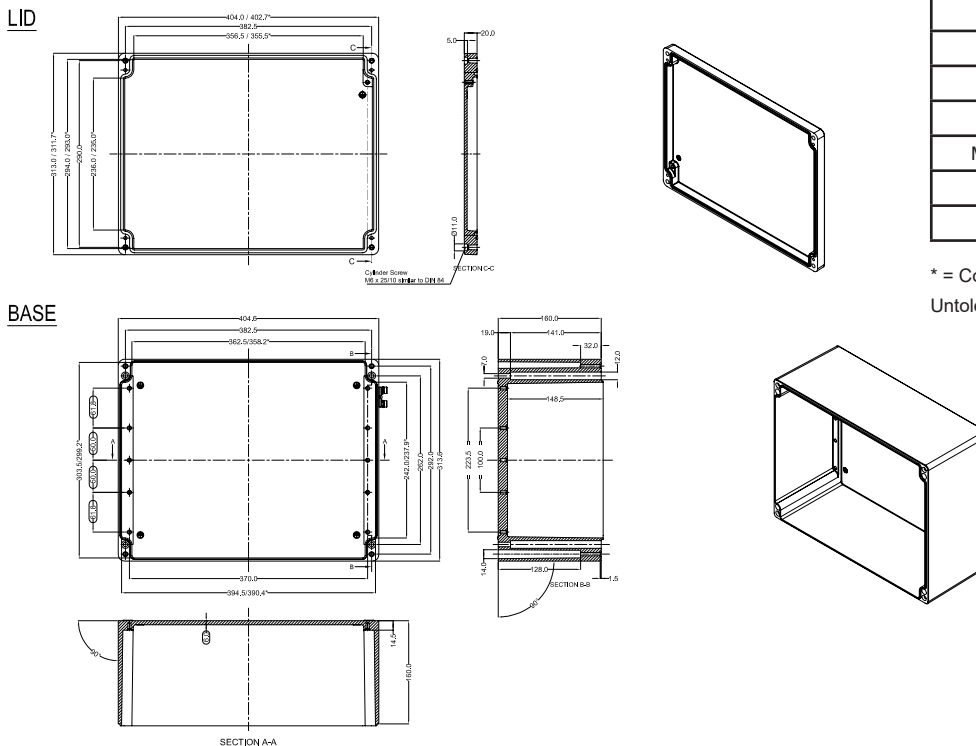
MP007275 - 400mm × 310mm × 110mm



Optional Accessories		
Part Name	Qty.	Availability
Mounting Plate	1	Y
External Hinge	2	Y
Internal Hinge	2	Y
Mounting Brackets	4	Y
Din Rail TS15	-	N
Din Rail TS35	1	Y

* = Conical form tapering downward.
 Untoleranced dimensions per GTA 13/5 DIN 1688

MP007276 - 400mm × 310mm × 180mm



Optional Accessories		
Part Name	Qty.	Availability
Mounting Plate	1	Y
External Hinge	2	Y
Internal Hinge	2	Y
Mounting Brackets	4	Y
Din Rail TS15	-	N
Din Rail TS35	1	Y

* = Conical form tapering downward.
 Untoleranced dimensions per GTA 13/5 DIN 1688

Dimensions : Millimetres

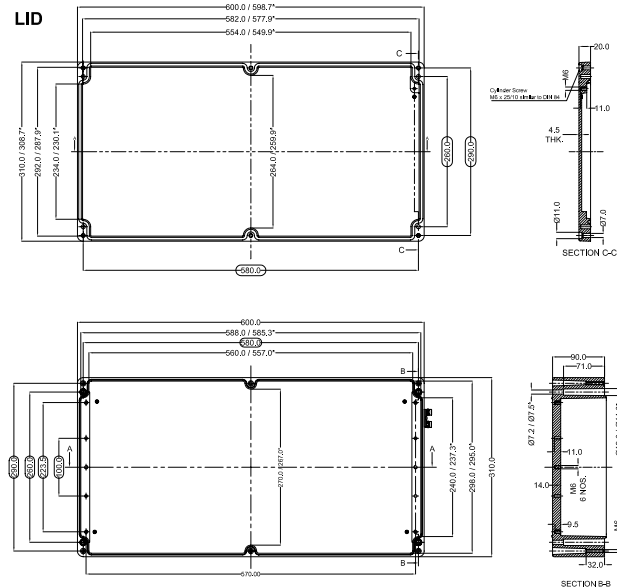
Newark.com/multicomp-pro
 Farnell.com/multicomp-pro
 Element14.com/multicomp-pro

multicomp PRO

ATEX Aluminum Enclosures with Silicon Seal

multicomp^{PRO}

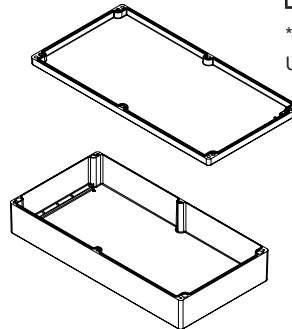
MP007277 - 600mm × 310mm × 110mm



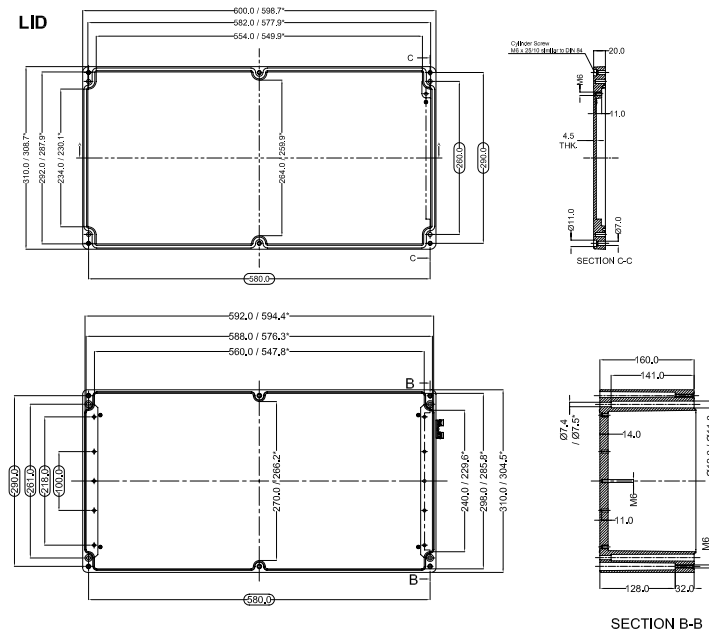
BASE

Optional Accessories		
Part Name	Qty.	Availability
Mounting Plate	1	Y
External Hinge	2	Y
Internal Hinge	2	Y
Mounting Brackets	4	Y
Din Rail TS15	-	N
Din Rail TS35	1	Y

* = Conical form tapering downward.
Untoleranced dimensions per GTA 13/5 DIN 1688



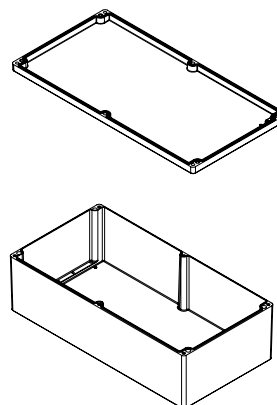
MP007278 - 600mm × 310mm × 180mm



BASE

Optional Accessories		
Part Name	Qty.	Availability
Mounting Plate	1	Y
External Hinge	2	Y
Internal Hinge	2	Y
Mounting Brackets	4	Y
Din Rail TS15	-	N
Din Rail TS35	1	Y

* = Conical form tapering downward.
Untoleranced dimensions per GTA 13/5 DIN 1688



Dimensions : Millimetres

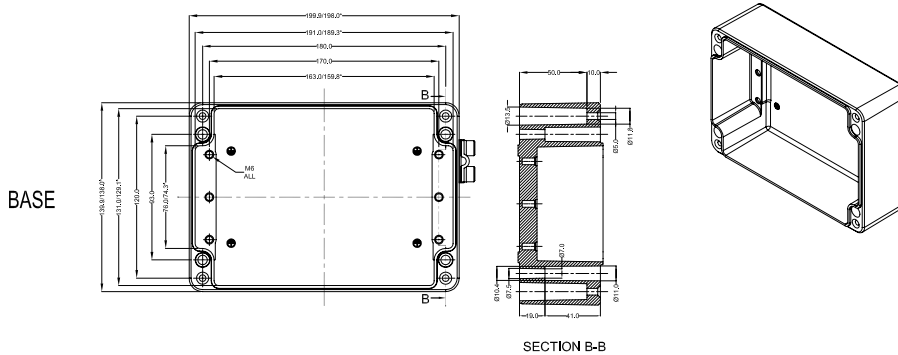
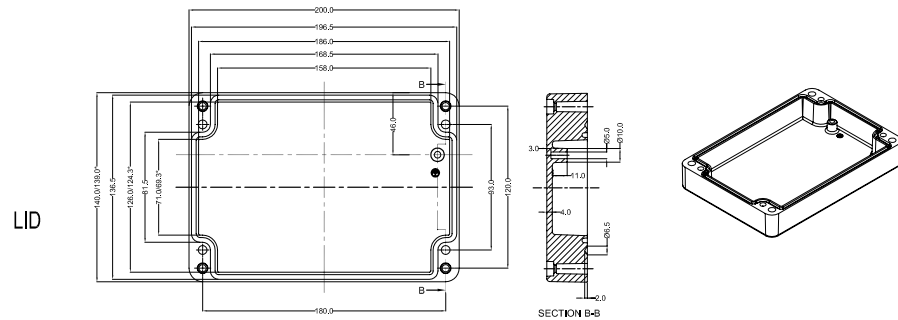
Newark.com/multicomp-pro
Farnell.com/multicomp-pro
Element14.com/multicomp-pro

multicomp^{PRO}

ATEX Aluminum Enclosures with Silicon Seal

multicomp PRO

MP007281 - 200mm × 140mm × 90mm



Optional Accessories		
Part Name	Qty.	Availability
Mounting Plate	1	Y
External Hinge	2	Y
Internal Hinge	2	Y
Mounting Brackets	4	Y
Din Rail TS15	-	N
Din Rail TS35	1	Y

* = Conical form tapering downward.
 Untoleranced dimensions per GTA 13/5 DIN 1688

Dimensions : Millimetres

ATEX Aluminum Enclosures with Silicon Seal

multicomp PRO

Part Number Table

Description	Part Number
ATEX Aluminum Enclosure with Silicon Seal, Grey, IP66, 98mm x 64mm x 34mm	MP007252
ATEX Aluminum Enclosure with Silicon Seal, Grey, IP66, 150mm x 64mm x 34mm	MP007253
ATEX Aluminum Enclosure with Silicon Seal, Grey, IP66, 58mm x 64mm x 34mm	MP007254
ATEX Aluminum Enclosure with Silicon Seal, Grey, IP66, 75mm x 80mm x 57mm	MP007255
ATEX Aluminum Enclosure with Silicon Seal, Grey, IP66, 125mm x 80mm x 57mm	MP007256
ATEX Aluminum Enclosure with Silicon Seal, Grey, IP66, 175mm x 80mm x 57mm	MP007257
ATEX Aluminum Enclosure with Silicon Seal, Grey, IP66, 250mm x 80mm x 57mm	MP007258
ATEX Aluminum Enclosure with Silicon Seal, Grey, IP66, 100mm x 100mm x 81mm	MP007259
ATEX Aluminum Enclosure with Silicon Seal, Grey, IP66, 160mm x 100mm x 81mm	MP007260
ATEX Aluminum Enclosure with Silicon Seal, Grey, IP66, 122mm x 120mm x 81mm	MP007261
ATEX Aluminum Enclosure with Silicon Seal, Grey, IP66, 220mm x 120mm x 90mm	MP007262
ATEX Aluminum Enclosure with Silicon Seal, Grey, IP66, 260mm x 160mm x 90mm	MP007263
ATEX Aluminum Enclosure with Silicon Seal, Grey, IP66, 360mm x 160mm x 90mm	MP007264
ATEX Aluminum Enclosure with Silicon Seal, Grey, IP66, 160mm x 160mm x 91mm	MP007265
ATEX Aluminum Enclosure with Silicon Seal, Grey, IP66, 280mm x 230mm x 110mm	MP007266
ATEX Aluminum Enclosure with Silicon Seal, Grey, IP66, 330mm x 230mm x 110mm	MP007267
ATEX Aluminum Enclosure with Silicon Seal, Grey, IP66, 230mm x 200mm x 110mm	MP007268
ATEX Aluminum Enclosure with Silicon Seal, Grey, IP66, 330mm x 230mm x 180mm	MP007269
ATEX Aluminum Enclosure with Silicon Seal, Grey, IP66, 220mm x 120mm x 81mm	MP007270
ATEX Aluminum Enclosure with Silicon Seal, Grey, IP66, 122mm x 120mm x 91mm	MP007271
ATEX Aluminum Enclosure with Silicon Seal, Grey, IP66, 180mm x 180mm x 100mm	MP007272
ATEX Aluminum Enclosure with Silicon Seal, Grey, IP66, 280mm x 180mm x 100mm	MP007273
ATEX Aluminum Enclosure with Silicon Seal, Grey, IP66, 230mm x 200mm x 180mm	MP007274
ATEX Aluminum Enclosure with Silicon Seal, Grey, IP66, 400mm x 310mm x 110mm	MP007275
ATEX Aluminum Enclosure with Silicon Seal, Grey, IP66, 400mm x 310mm x 180mm	MP007276
ATEX Aluminum Enclosure with Silicon Seal, Grey, IP66, 600mm x 310mm x 110mm	MP007277
ATEX Aluminum Enclosure with Silicon Seal, Grey, IP66, 600mm x 310mm x 180mm	MP007278
ATEX Aluminum Enclosure with Silicon Seal, Grey, IP66, 400mm x 230mm x 110mm	MP007279
ATEX Aluminum Enclosure with Silicon Seal, Grey, IP66, 140mm x 140mm x 90mm	MP007280
ATEX Aluminum Enclosure with Silicon Seal, Grey, IP66, 200mm x 140mm x 90mm	MP007281

Important Notice : This data sheet and its contents (the "Information") belong to the members of the AVNET group of companies (the "Group") or are licensed to it. No licence is granted for the use of it other than for information purposes in connection with the products to which it relates. No licence of any intellectual property rights is granted. The Information is subject to change without notice and replaces all data sheets previously supplied. The Information supplied is believed to be accurate but the Group assumes no responsibility for its accuracy or completeness, any error in or omission from it or for any use made of it. Users of this data sheet should check for themselves the Information and the suitability of the products for their purpose and not make any assumptions based on information included or omitted. Liability for loss or damage resulting from any reliance on the Information or use of it (including liability resulting from negligence or where the Group was aware of the possibility of such loss or damage arising) is excluded. This will not operate to limit or restrict the Group's liability for death or personal injury resulting from its negligence. Multicomp Pro is the registered trademark of Premier Farnell Limited 2019.

Newark.com/multicomp-pro
Farnell.com/multicomp-pro
Element14.com/multicomp-pro

multicomp PRO