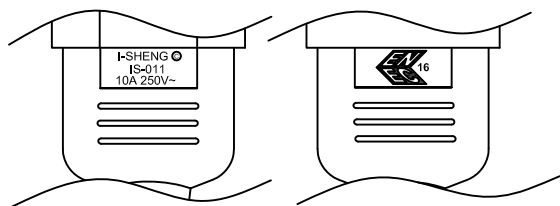
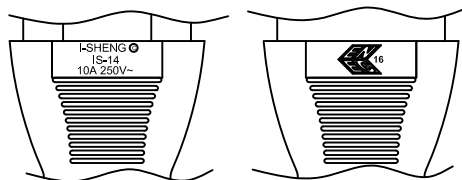


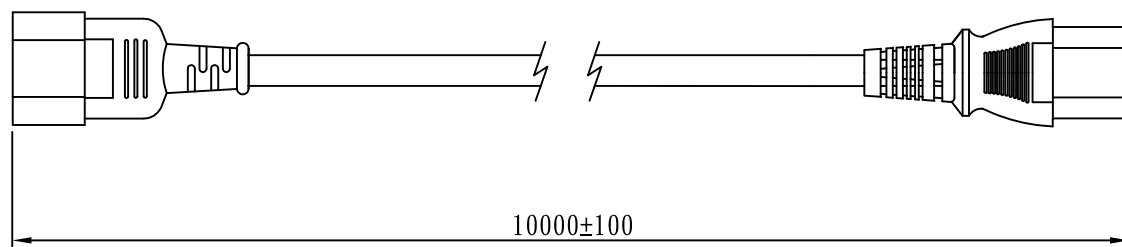
MARKING:



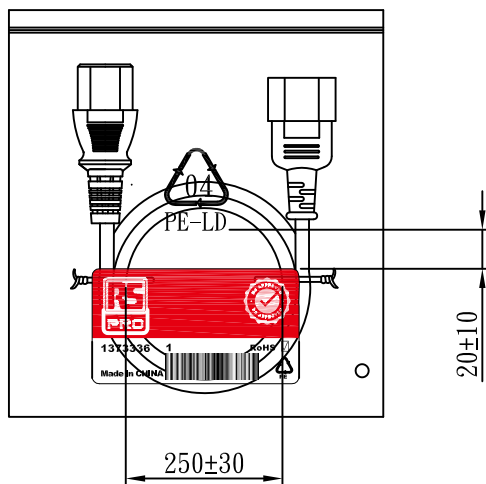
MARKING:



No	BOM ITEM	Q' TY	P/N
1	KPR-11 TERMINAL	3 pcs	BBN11000
2	IS-011 DUST COVER(BLACK)	1 pcs	MP011012
3	IS-011 INNER BODY	1 pcs	MI011000
4	PVC 45P (SA87, IS-011)	18 g	RPP04512
5	KPR-14 TERMINAL	3 pcs	BBB14000
6	IS-14 INNER BODY	1 set	MI014000
7	PVC 45P (SA87, IS-14)	22 g	RPP04512
8	PE TIE (BLACK , 12 inch)	2 pcs	KBB10012
9	PE BAG(350*350)	1 pcs	KPR350BD
10	LABEL(45*25)	1 pcs	



NOTE:1. CORD 128
2. CONTENT 1373336



WIRING COLOR:

E: Yellow/Green
N: Blue
L: Brown

LENGED ON CORD : (E05-14)

IEMMEQU H05VV-F 3G 1.0mm² 300/500V -LF-

CABLE		H05VV-F 3G 1.0 DENT PRINT CT-12(BLACK)			
PLUG	IS-011 + IS-14	LENGTH	10000	UNIT	mm
CLIENT	NAME	First connectivity	N/W	UNIT	kg
	P/N	1373336	SG DWG	SR-172524-2	VER. A

Design. by 楊東 17.07.17
Review. by 楊望春 17.07.17
Approval. by 朱曉玲 17.07.17

X14 JC3016 12 10M 01