

Datasheet

RS Pro Shielded Power Inductors


Features:

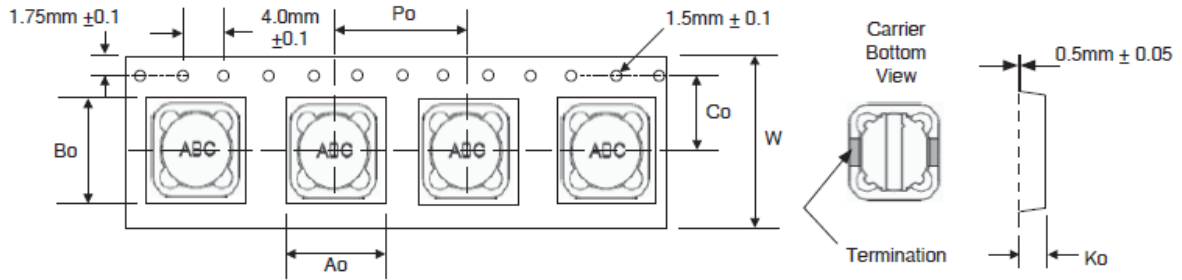
- Shielded power inductor
- High current (up to 12A)
- Surface mountable construction
- High inductance (up to 1000 μ H)
- Taped and reeled for automatic insertion
- For use in DC/DC converters

Stock no.	Standard Values – Case size 25 (12.5 x 12.5 x 6.0)			
	Inductance Value (μ H)	Test Conditions	DC Resistance (Ω)	DC Current Isat/Irms (Amps)
741-8852	12 \pm 20%	1k, 0.3V	0.027	3.5
741-8855	15 \pm 20%	1k, 0.3V	0.03	3.3
741-8962	22 \pm 20%	1k, 0.3V	0.036	2.8
741-8865	33 \pm 20%	1k, 0.3V	0.057	2.1
741-8877	47 \pm 20%	1k, 0.3V	0.075	1.8
741-8871	56 \pm 20%	1k, 0.3V	0.11	1.7
741-8880	68 \pm 20%	1k, 0.3V	0.12	1.5
741-8883	82 \pm 20%	1k, 0.3V	0.14	1.4
741-8887	100 \pm 20%	1k, 0.3V	0.16	1.3
741-8893	180 \pm 20%	1k, 0.3V	0.29	0.9
741-8903	220 \pm 20%	1k, 0.3V	0.4	0.8
741-8919	390 \pm 20%	1k, 0.3V	0.69	0.65
741-8928	820 \pm 20%	1k, 0.3V	1.34	0.43
741-8922	1000 \pm 20%	1k, 0.3V	1.53	0.40

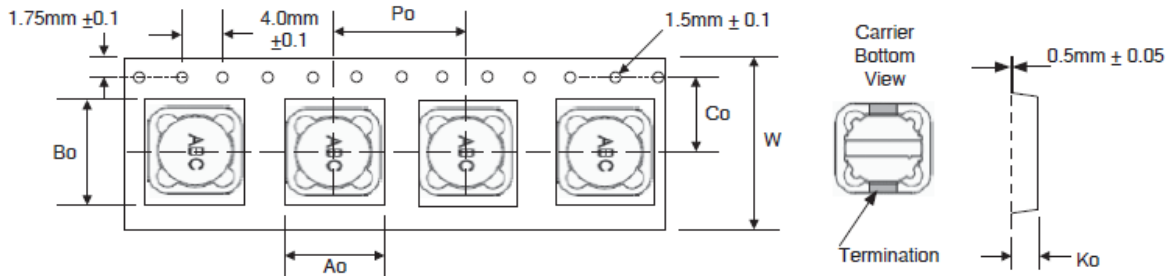
Stock no.	Standard Values – Case size 27 (12.5 x 12.5 x 6.0)			
	Inductance Value (μH)	Test Conditions	DC Resistance (Ω)	DC Current Isat/Irms (Amps)
741-8953	10 ± 20%	1k, 0.3V	0.0216	5.4
741-8950	15 ± 20%	1k, 0.3V	0.027	4.5
741-8962	22 ± 20%	1k, 0.3V	0.0432	3.6
741-8975	33 ± 20%	1k, 0.3V	0.0648	3
741-8978	39 ± 20%	1k, 0.3V	0.0729	2.75
741-8972	47 ± 20%	1k, 0.3V	0.1	2.5
741-8984	68 ± 20%	1k, 0.3V	0.14	2.1
741-8997	100 ± 20%	1k, 0.3V	0.22	1.7
741-8994	150 ± 20%	1k, 0.3V	0.027	4.5
741-9007	180 ± 20%	1k, 0.3V	0.0392	3.9
741-9000	220 ± 20%	1k, 0.3V	0.39	1.16
741-9016	330 ± 20%	1k, 0.3V	0.64	0.95
741-9029	470 ± 20%	1k, 0.3V	0.98	0.79
741-9026	680 ± 20%	1k, 0.3V	1.46	0.67
741-9035	820 ± 20%	1k, 0.3V	1.64	0.6
741-9038	1000 ± 20%	1k, 0.3V	1.82	0.55

Case Size	Taping Dimensions (mm)					
	Ao	Bo	Ko	Co	W	Po
25	12.9	12.9	6.2	11.5	24	16.0
27			8.2			

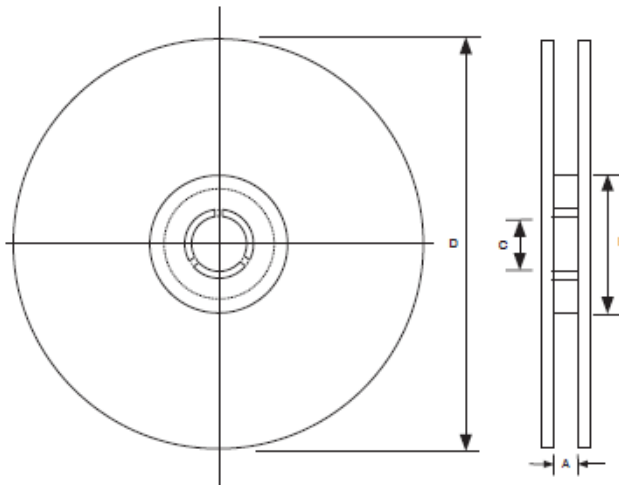
STANDARD COMPONENT ORIENTATION ON TAPE (TRF)



OPTIONAL COMPONENT ORIENTATION ON TAPE (TRIF)



Tape Width	Reel Dimensions (mm)			
	A (mm)	B (mm)	C (mm)	D (mm)
24mm	24.5 ± 0.1	100 ± 2.0	13 ± 0.5	330



Size	Reel quantity per case size	
	25	27
Quantity per reel	600	400
Tape Width	24mm	