

# RS PRO Black Steel Project Box, 279 x 203 x 175mm

RS Stock No.: 754-6017

## FEATURES

- Metal equipment
- Side members have slotted brackets
- 24 different sizes and configuration
- Flat packed
- Quick assembly



RS Professionally Approved Products bring to you professional quality parts across all product categories. Our product range has been tested by engineers and provides a comparable quality to the leading brands without paying a premium price.

### Product Description

Introducing steel electronic enclosures from our trusted and reliable own brand RS PRO, a range of high standard and durable multi-use steel enclosures ideal for housing electrical components. These versatile enclosures are made from high grade cold rolled steel, with aluminium front and rear panels providing a sturdy protective enclosure for electronics. The boxes are treated with a powder coat finish that is preceded by a 5-stage iron phosphate pre-treatment, offering excellent corrosion resistance whilst remaining aesthetically pleasing

### General Specifications

<b>Body Material</b>	Steel
<b>Colour</b>	Black
<b>Ventilated</b>	Yes
<b>Carrying Handle</b>	No
<b>Finish</b>	Powder Coated

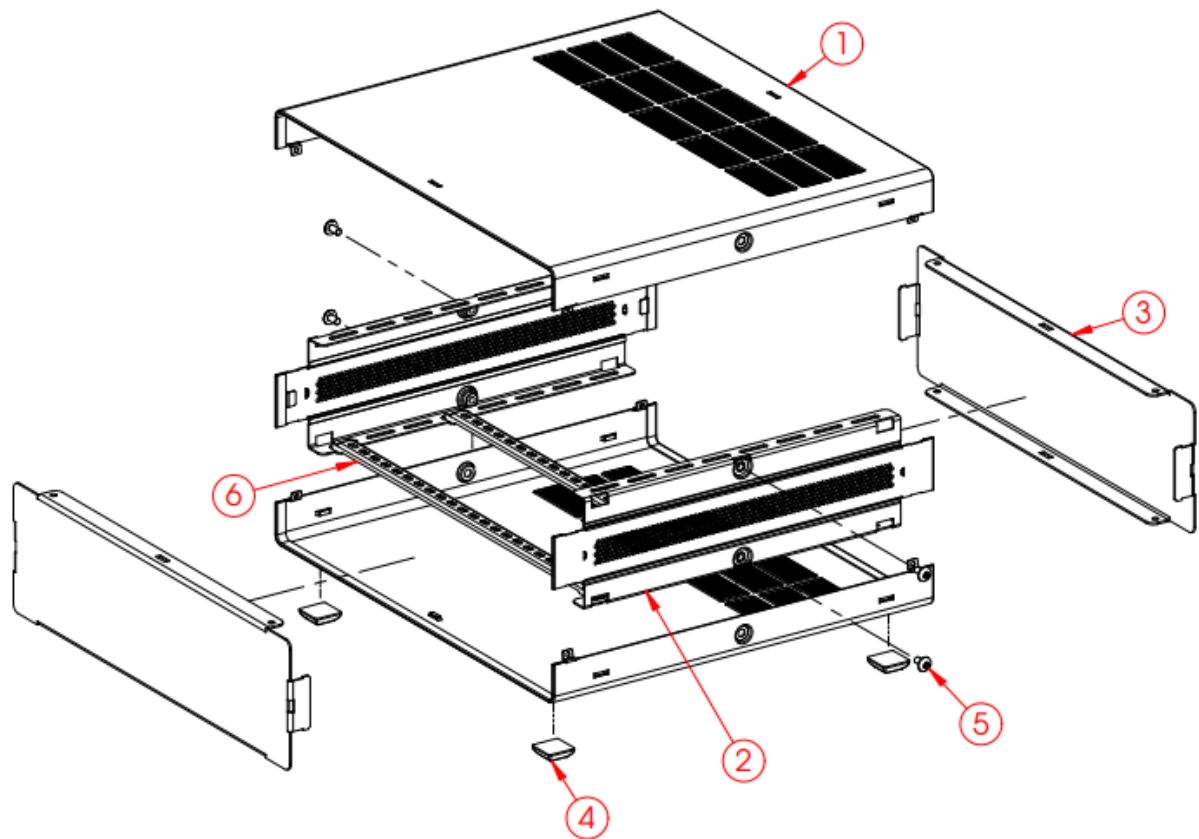
### Mechanical Specifications

<b>External Length</b>	279mm
<b>External Width</b>	203mm
<b>External Height</b>	175mm
<b>External Dimensions</b>	279mm x 203mm x 175mm

### Approvals

<b>Standards Met</b>	IEC297, ASTM D610-01, ASTM B117
----------------------	---------------------------------





Item	Description	Material	Qty.
1	TOP BOTTOM COVER	SPCC-SD 0.90 mm.	2
2	SIDE FRAME	SPCC-SD 0.90 mm.	2
3	FRONT-REAR PANEL	AL.1100 1.20 mm.	2
4	RUBBER FOOT	RUBBER	4
5	UMBRELLA PHILPS SCREW M4-8	STEEL	4
6	GENERAL PURPOSE BAR (Option)	SPCC-SD 0.90 mm.	2