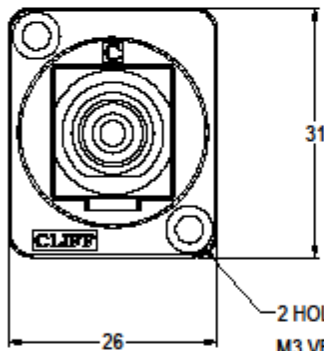
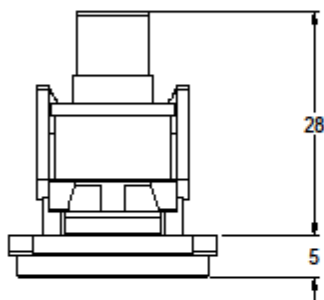


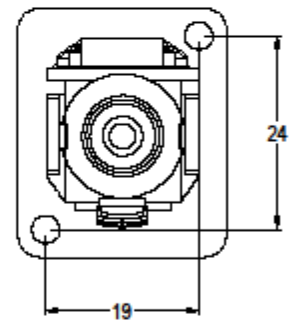
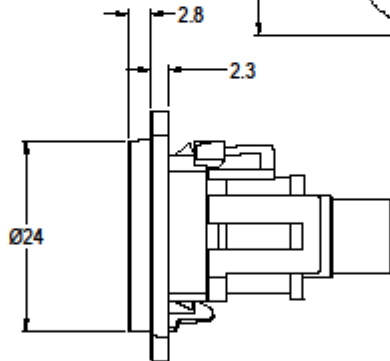
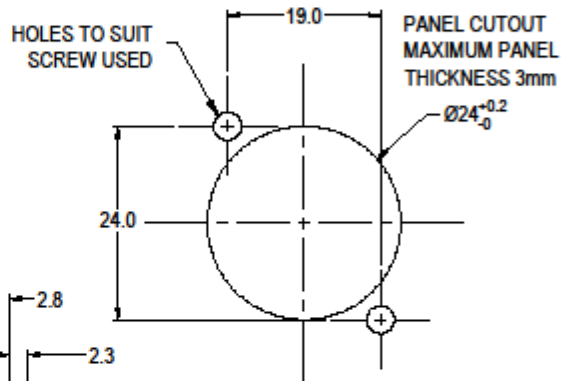
Datasheet

# RS PRO RCA PHONO WHITE METAL M3 FEEDTHROUGH CONNECTOR

Stock No: 2035602, 2035603



2 HOLES:  $\phi 3.5\text{mm}$  CSK  $82^\circ$  x  $\phi 5.85$   
M3 VERSION HAS M3 THREAD HOLES.



Material:

- 1.Contacts: gold plating over nickel
- 2.Frame: Nickel or black plated zinc diecast

## Features & Benefits:

- Fits standard XLR Ø24mm cutout.
- No soldering or punch termination. Use standard cable for each connector style.
- Front or rear mounted.
- Low rear profile

## General:

Please note: Functionality is affected by cable quality, length and cable wiring configuration.

## Other models available:

### Part No.

- |                |  |
|----------------|--|
| <b>8987624</b> | RCA Phono White Black plastic frame, CSK holes       |
| <b>9075671</b> | RCA Phono White Nickel plated metal frame, CSK holes |
| <b>8987627</b> | RCA Phono White Black plastic frame, PLAIN holes     |





[rspro.com](http://rspro.com)

