

## JIS 10K SS316 Flange End Gate Valves

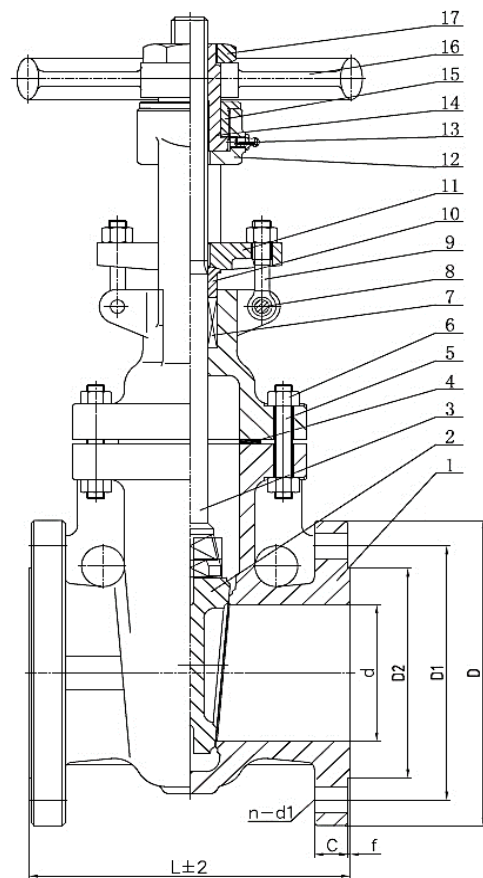
### Features

- JIS 10K Flange Connection
- Size: 1" – 4" (DN25 – DN100)
- Valve Body Material: SS316
- Working Pressure: 10kg/cm<sup>2</sup>
- Applicable Medium: General oil, gas and water applications
- Temperature Range: ≤ 425°C



### Material List

No.	Part Name	Material
1	Body	A351 CF8M
2	Wedge	A351 CF8M
3	Stem	SS316
4	Gasket	SS316 + Graphite
5	Bolt	A193 B8M
6	Nut	A194 B8M
7	Packing	Graphite
8	Pin	SS304
9	Eye Bolt	A193 B8M
10	Gland Nut	SS316
11	Gland Flange	A351 CF8M
12	Bonnet	A351 CF8M
13	Nipple	ASME B16.11
14	Stem Nut	ASME B19 D2
15	Nut	AISI 1035
16	Handwheel	A216 WCB
17	Lock Nut	AISI 1035



### Technical Specifications

1. Basic design and manufacture according to API 600
2. Face to face dimension: ASME B16.10
3. Flange End: JIS 2238
4. Inspection and test: JIS F7400

Main Technical Parameter			
Normal pressure		10K	
Test pressure	Shell test pressure	3.0	MPa
	Seal test	2.2	
	Back seal test	2.2	
	Gas test	0.6	
Max working temperature		≤ 425°C	
Applicable Medium: General oil, gas & water			

## Ordering Information

VL - S - GA - F - 10K - 16  
 I II III IV V VI

### I Type of Item

VL Low Pressure Valves

### II Material Grade

S SS316, CF8M CI Cast Iron  
 FS Forged Steel CS Cast Steel  
 B Brass

### III Item

GA Gate Valve B1 1 PC Ball Valve  
 GL Globe Valve B2 2 PC Ball Valve  
 YS Y-Strainer B3 3 PC Ball Valve  
 SC Swing Check Valve BL 3 Way Ball Valve L Port  
 VC Vertical Check Valve BT 3 Way Ball Valve T Port  
 WC Wafer Check Valve BMF Male x Female Mini Ball Valve  
 DD Dual Disk BU Butterfly Valve

### IV Connection Type

SW S/W G BSPP  
 BW B/W N NPT  
 R BSPT F Flange End  
 W Wafer L Lug

### V Pressure

200 200 PSI 2000 2000 PSI  
 300 300 PSI 150 ANSI 150# Flange Standard  
 600 600 PSI 10K JIS 10K Flange Standard  
 800 800 PSI PN16 PN 16 Flange Standard  
 1000 1000 PSI

## For Inch OD & Inch NB Sizes

### VI Size

Size	1/8"	1/4"	5/16"	3/8"	1/2"	5/8"	3/4"	1"
Code	02	04	05	06	08	10	12	16
Size	1 1/4"	1 1/2"	2"	2 1/2"	3"	4"	5"	6"
Code	20	24	32	40	48	64	80	96

### VII Coating

(None) No Additional Coating  
 NI Nickel Plating

## Dimension List

NPS	Part No	D	D1	D2	L	C	f	n-d1	Weight (Kg)
1"	VL-S-GA-F-10K-16	125	90	67	127	14	1	4-Ø16	5.50
1 1/4"	VL-S-GA-F-10K-20	135	100	76	140	16	2	4-Ø16	8.75
1 1/2"	VL-S-GA-F-10K-24	140	107	81	165	16	2	4-Ø16	9.57
2"	VL-S-GA-F-10K-32	150	121	92	178	16.5	2	4-Ø19	13.40
2-1/2"	VL-S-GA-F-10K-40	180	140	105	190	18	2	4-Ø19	17.25
3"	VL-S-GA-F-10K-48	190	152.5	127	203	19.5	2	4-Ø19	20.50
4"	VL-S-GA-F-10K-64	230	190.5	157	229	24.5	2	8-Ø19	31.50

## Part Number Reference

Part No	Description
VL-S-GA-F-10K-16	1"JIS10K SS316 FLANGE END GATE VALVE RF, RISING STEM, HANDWHEEL OPERATED
VL-S-GA-F-10K-20	1 1/4"JIS10K SS316 FLANGE END GATE VALVE RF, RISING STEM, HANDWHEEL OPERATED
VL-S-GA-F-10K-24	1 1/2"JIS10K SS316 FLANGE END GATE VALVE RF, RISING STEM, HANDWHEEL OPERATED
VL-S-GA-F-10K-32	2"JIS10K SS316 FLANGE END GATE VALVE, RISING STEM, HANDWHEEL OPERATED
VL-S-GA-F-10K-40	2 1/2" JIS10K SS316 FLANGE END GATE VALVE, RISING STEM, HANDWHEEL OPERATED
VL-S-GA-F-10K-48	3"JIS10K SS316 FLANGE END GATE VALVE, RISING STEM, HANDWHEEL OPERATED
VL-S-GA-F-10K-64	4"JIS10K SS316 FLANGE END GATE VALVE, RISING STEM, HANDWHEEL OPERATED