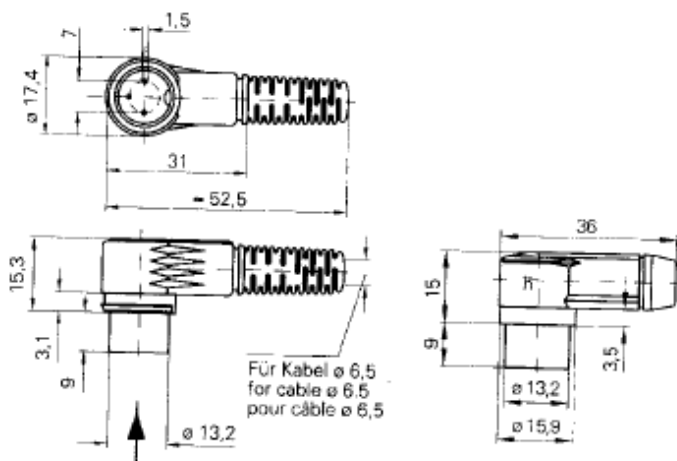


Datasheet

8 Pole Male Right Angle DIN Connector, MAWI Series , 34 V ac/dc IP30, 4A, DIN 45326

RS Stock number [776-381](#)

Dimensions: mm



Specification

Body Orientation: Right Angle

Connector Size :Standard

Contact Material: Brass

Contact Plating :Tin

Current Rating :4A

DIN Number :DIN 45326

Gender: Male

Housing Material: PE

IP Rating :IP30

Maximum Operating Temperature :+60°C

Minimum Operating Temperature :-20°C

Mounting Type :Cable Mount

Number of Contacts: 8

Series :MAWI

Shielded/Unshielded :Shielded

Termination Method :Solder

Voltage Rating : 34 V ac/dc