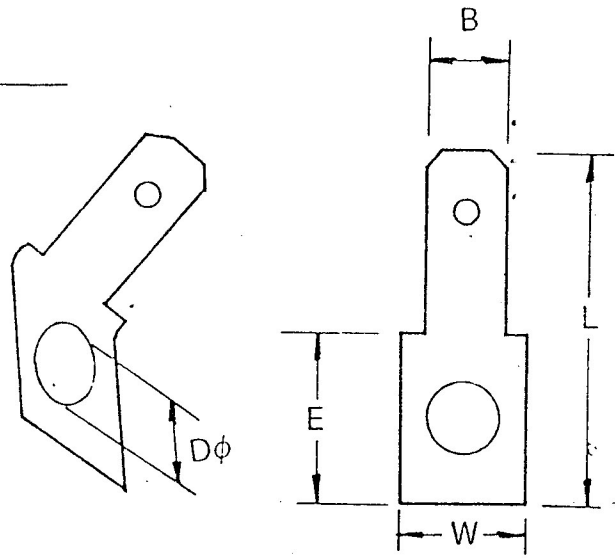


RS NO.: 534-929



W	E	B	Dφ	L
8.1	10.5	6.4	5.3	17.8