



Datasheet

RS PRO Enclosures With side panels

Stock number: 1920758

EN

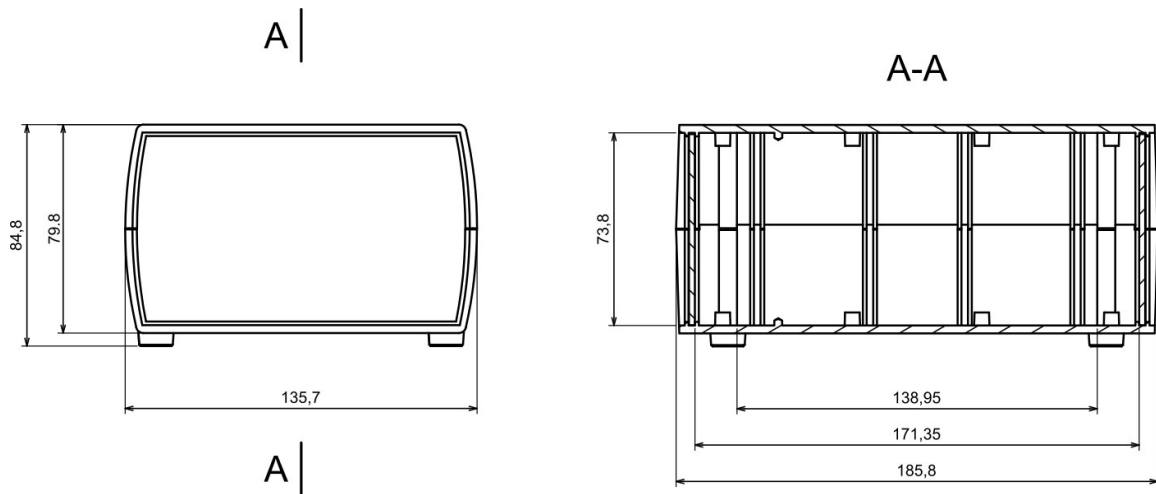


Product Details

Enclosure with side panels is made of black ABS. The enclosure has front and rear panel it provides IP53 and IK06 protection rating it is ideal for applications that doesn't require hermetic seal.

Features and Benefits

- Made of ABS
- Available in black color
- Protection against liquids and solid objects: IP53 rating
- Shock protection level: IK06 rating
- Side panels for easy customization
- Supplied with four screws and plastic feet for assembly

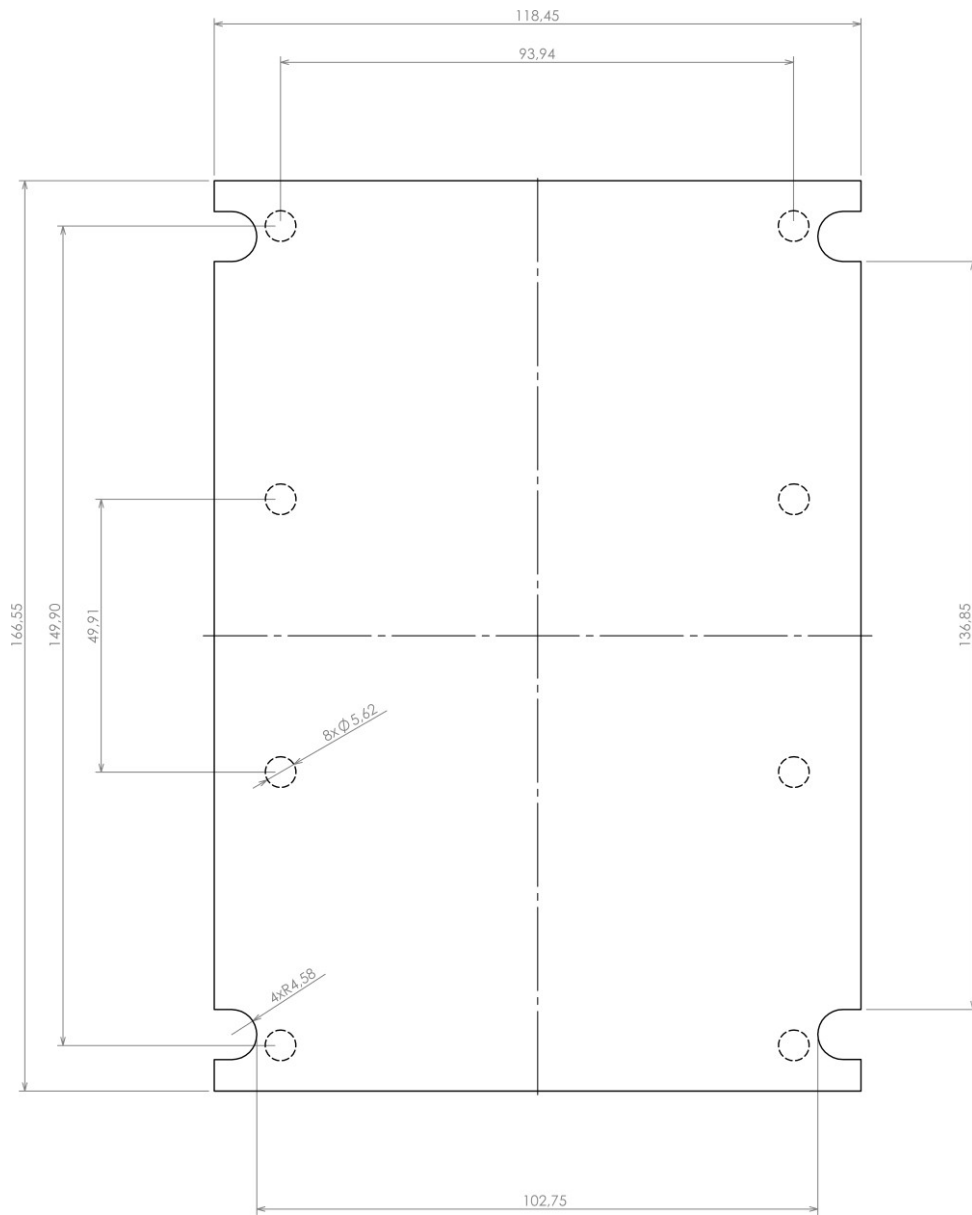


Category	Enclosures With side panels
Type	Full
Material	ABS
Variant	Without gasket
Height	80.0 mm
Width	136.0 mm
Length	185.5 mm
Color	Black
Protection level	IP53
Shock protection level	IK06
Standards Met	RoHS Compliant
Accessories	Feet: 4.0 pcs Screw 3/60: 4.0 pcs
Certificate number	CE/031/18





Max PCB size



Dashed line shows outline of the mounting boss under PCB board
Recommended mounting holes diameter $\phi 3,5\text{mm}$
All dimensions are given within $\pm 0,5\text{mm}$ tolerance