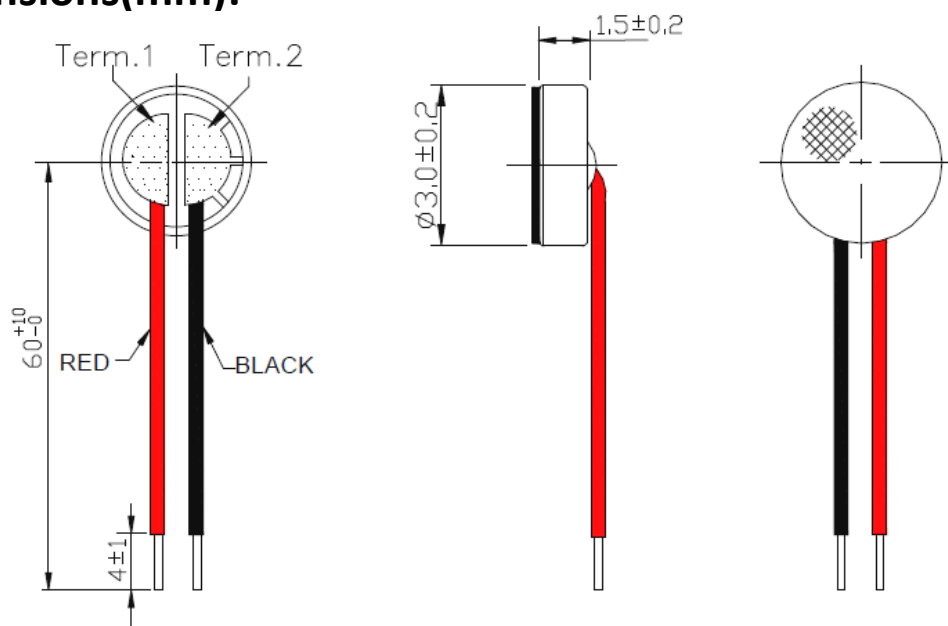


Datasheet

Condenser Microphone

RS Stock number [780-0734](#)

Dimensions(mm):



SPECIFICATIONS	Electret Condenser Microphone
Directivity	Omni directional
Standard Operating Voltage	2 V
Maximum Operating Voltage	10V
Maximum Current Consumption	0.5mA
Output Impedance (F=1KHz 1Pa)	2.2K Ohms
Frequency	50~16000Hz
Sensitivity (@F=1KHz, 0dB=1V/Pa)	-44±3dB
Signal to Noise Ratio (F=1KHz 1Pa) A weighted	60dB
Electrets Type	Back type
Operating Temperature	-20°C - +60°C
Storage Temperature	-20°C - +70°C

Features:

- Omni directional
- 3mm diameter
- Wire leads