



## Datasheet

# RS PRO AGILA

Stock No: 183-0091

EAN 4031582436754

Swivel castor, housing made of pressed steel, bright zinc plated, blue passivated, double ball bearing swivel head, socket head cap screw, loose fitted. Wheel centre made of steel, Tread: Polyurethane, casted, precision ball bearing.

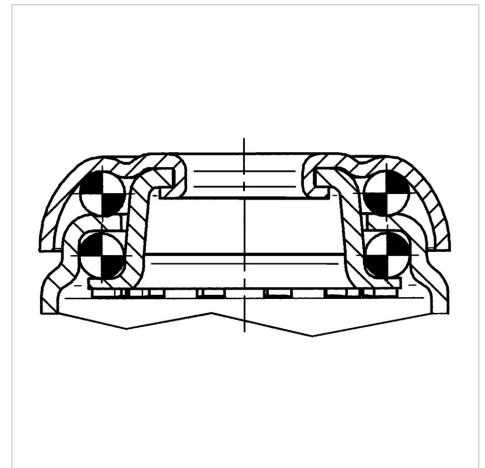


Picture may differ from original product

### Technical Data

Wheel diameter	35 mm
Width of Tread	25 mm
Threaded stem	10 x 20 mm
Offset	13.5 mm
Swivel Interference	62 mm
Overall height	58 mm
Temperature	- 20 / + 60 °C
Standard	EN 12530
Weight	0.243 kg
Swivel Radius	31 mm
Hardness of tread	Shore D 42
Load capacity	100 kg
Load capacity (static)	200 kg

### Structure & Mounting



### Advantages at a glance

Roll performance	● ● ● ● ○
Movement noise	● ● ● ○ ○
Attrition	● ● ● ○ ○
Corrosion resistance	● ● ● ○ ○