

Features

- Flush fitting paddle latch
- Spring loaded
- Manufactured from black polyester powder-coated steel with a zinc-plated steel tongue
- Key lockable with a spring-loaded keyway shutter
- Keyed alike and supplied with two keys

RS PRO Lockable Paddle Latch, 127mm x 101.5mm x 52.5mm

RS Stock No.: 136-3622



RS PRO Professionally Approved Products bring to you professional quality parts across all product categories. Our product range has been tested by engineers and provides a comparable quality to the leading brands without paying a premium price.

Product Description

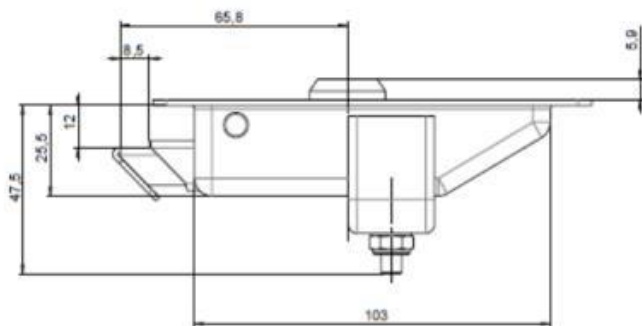
The RS PRO Lockable Paddle Latch is made from high-quality steel with black polyester powder coating and offer a flush fitting which minimises the risk of damage to the latch. These paddle locks are compatible with enclosures and doors and have a spring-loaded action which ensures the latch remains flush when unlatched. For added security, they are lockable with a spring-loaded keyway shutter. Keyed alike and supplied with two keys.

General Specifications

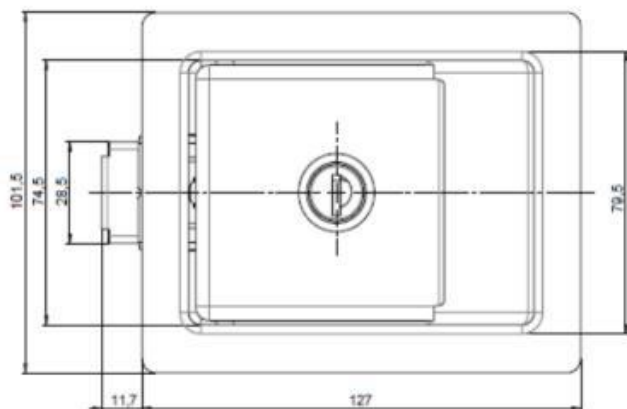
Type	Paddle Latch
Finish	Black Powder Coating
Material	Steel
Spring Loaded	Yes
Lockable	Yes
Dimensions	127 mm x 101.5 mm x 52.5 mm
Weight	1.046 kg

Similar Products

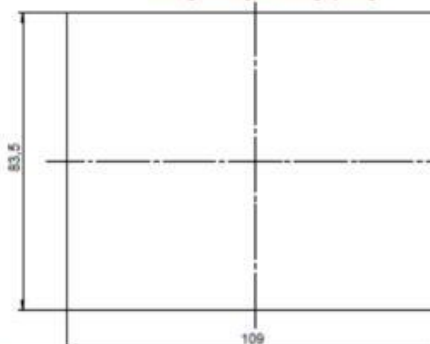
Stock No.	Brand	Product Name	Dimensions
136-3621	RS PRO	Lockable Paddle Latch	84 mm x 68 mm x 41 mm



(1 : 2)



Montageöffnung / Mounting opening



black powder coated

stanzlochplatte

	Sub-/Angebot	3d File	Clarified	Webshop
--	--------------	---------	-----------	---------