

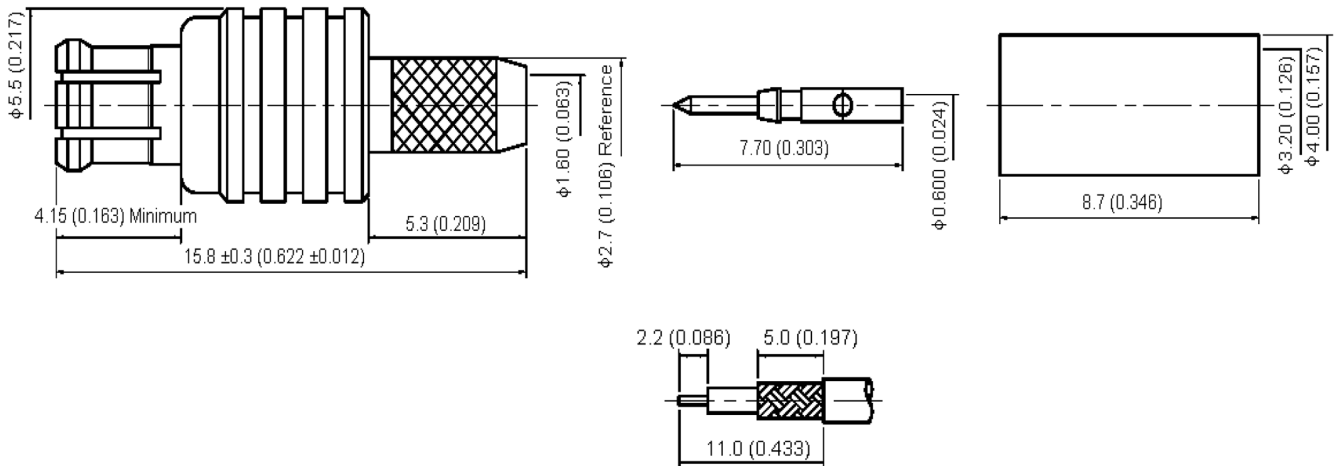


Specifications:

Connector Type	: MCX Coaxial
Body Style	: Straight Plug
Coaxial Termination	: Crimp
Impedance	: 50Ω
Contact Material	: Beryllium Copper
Contact Plating	: Gold
Frequency Max	: 6GHz
Connector Mounting	: Cable
Centre Contact Resistance	: 5mΩ
Coaxial Connector Type	: MCX
Coaxial Type	: RG174, RG188A, RG31
Contact Resistance	: 1mΩ
Dielectric Material	: PTFE/PFA
Insulation Resistance	: 1,000MΩ
Material	: Brass
No. of Mating Cycles	: 500
Operating Temperature Max	: 155°C
Voltage Rating	: 335V AC
Bodies	: Brass per JIS-C3604 Beryllium copper per ASTM B196 UNS C17300
Centre Contact	: Brass per JIS-C3604
Insulation	: PTFE per ASTM D1457 and ASTM D1710
Crimp Ferrule	: Brass per JIS-C2700
Connector interface per CECC 22220	
Part to be clean and free of burrs	

MCX Straight Plug

Diagram



Dimensions : Millimetres (Inches)

Stripping Dimension

Number	Description	Material	Finish
1	Chassis	Beryllium Copper	Gold 3μ" Min.
2	Insulation	PTFE	None
3	Body	Brass	Gold 3μ" Min.
4	Crimp Ferrule		Gold
5	Centre Contact		Gold 30μ" Min.

Part Number Table

Description	Part Number
Plug, MCX, Straight, Crimp	MP-R27-001-04-0332110MM

Important Notice : This data sheet and its contents (the "Information") belong to the members of the AVNET group of companies (the "Group") or are licensed to it. No licence is granted for the use of it other than for information purposes in connection with the products to which it relates. No licence of any intellectual property rights is granted. The Information is subject to change without notice and replaces all data sheets previously supplied. The Information supplied is believed to be accurate but the Group assumes no responsibility for its accuracy or completeness, any error in or omission from it or for any use made of it. Users of this data sheet should check for themselves the Information and the suitability of the products for their purpose and not make any assumptions based on information included or omitted. Liability for loss or damage resulting from any reliance on the Information or use of it (including liability resulting from negligence or where the Group was aware of the possibility of such loss or damage arising) is excluded. This will not operate to limit or restrict the Group's liability for death or personal injury resulting from its negligence. Multicomp Pro is the registered trademark of Premier Farnell Limited 2019.