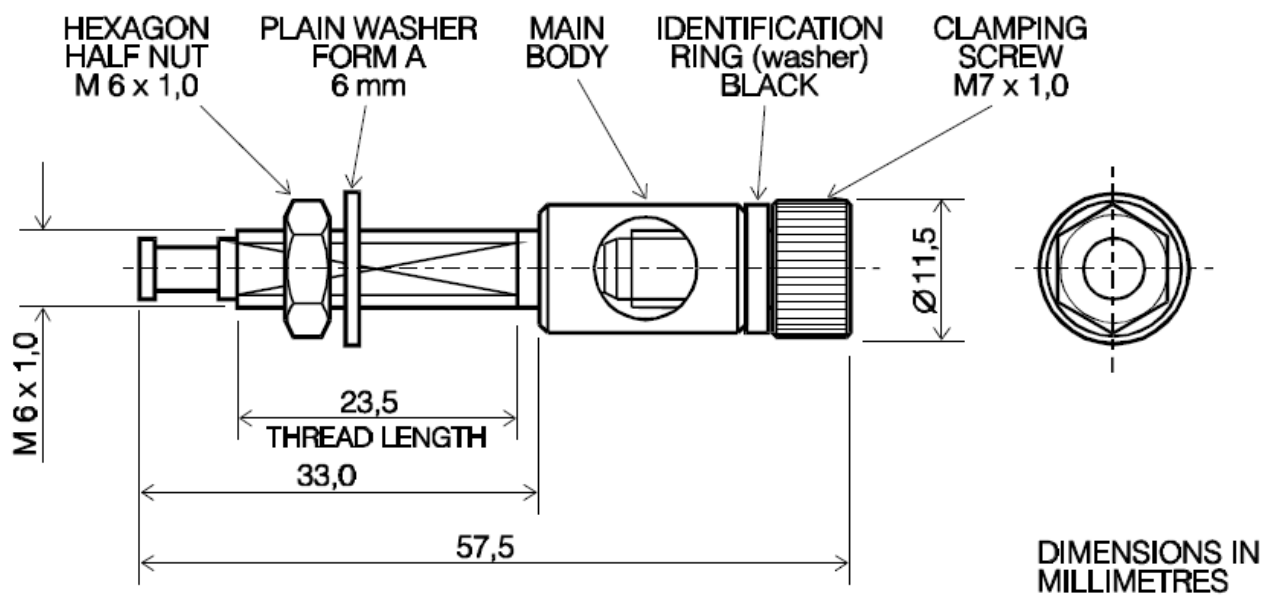


Datasheet

1 Way Male Red Chassis Mount Loudspeaker Connector

RS Stock number [458-190](#)



Description:

This product has a large cable entry hole that accepts cable up to 7.5mm in diameter and is ideally suited for rear termination of speakers. The speaker termination can be terminated in two methods, either a 4mm hole at the rear or clamped through the main hole via the knurled screw. This product can be supplied individually line coded black or red and supplied with a gold plated finish.