

## FEATURES

- Thermocouple & RTD Inputs
- Voltage and Current Analogue Inputs
- Pre-Scalable Display
- Programmable Range and Offset
- RS485 Modbus Communications
- 2 x SPDT Alarm Relay outputs
- Large high brightness 7-Segment Display
- Programmable Decimal Point
- Hours Run Counter with Maximum duty indication for maintenance alert
- Flush Mounting 96x48mm
- Shallow depth 65 mm
- °C/°F Selection
- 24 Vdc Sensor supply

# RS PRO Multi-Function Panel Meter – Process Indicator/Controller + Modbus RS485

RS Stock No.: **2333537**



RS Professionally Approved Products bring to you professional quality parts across all product categories. Our product range has been tested by engineers and provides a comparable quality to the leading brands without paying a premium price.

## Multi-Function Panel Meter – Process Indicator/Controller

### Product Description

- Measure 0-20mA, 4-20mA and 0-10V analogue Current and Voltage signals, Thermocouple (Type J,K,T,R,S & RTD (Pt100) 2 & 3-wire inputs convert to and display real process values. Features 2 x SPDT Alarm Relay outputs for control functionality. Modbus RS485 Communications
- Display Temperature, Pressure, Flow Rate, Level and other process values when measured by a compatible input device
- Programmable Hours/Days Run Counter with indication when maintenance inspection required
- Typical industry sector applications include, Control Panels, Plastic Moulding, Power Generation and Distribution, Pharmaceutical, Oil & Gas, Food & Beverage, Paper...

### Functional Specifications

<b>Menu Password</b>	60 Default (User selectable)		
<b>Analogue Input Details</b>			
<b>Analogue Inputs</b>	Voltage: 0 to 10 Vdc, Current: 0 to 20 mA, 4 to 20 mA		
<b>Analogue Input Resolution</b>	1/0.1, 1/0.01, 1/0.001		
<b>Analogue Input Measurement accuracy</b>	Signal input: 0.5% of full scale		
<b>Sensor Input Details</b>			
<b>Sensor input types</b>	Thermocouple, J, K, T, R, S. RTD (Pt100) 2 & 3-wire.		
<b>Sensor Measurement Ranges</b>	<b>Sensor Type</b>	°C	°F
	J-Type	-200 - 950	-328 - 1742
	K-Type	-200 - 1350	-328 - 2462
	T-Type	-200 - 400	-328 - 752
	R & S Type	0 - 1750	32 - 3182
	RTD (Pt100)	-200 - 850	-328 - 1562
<b>Sensor Measurement Accuracy</b>	RTD	+/-0.1% FS	+/-1°
	J, K & T	+/-0.25% FS	+/-1°
	R & S	+/-0.5 FS	+/-2°
<b>Sensor Measurement Resolution</b>	J,K,T & Pt100: 0.1°/1°. R & S: 1°		
<b>Sensor Measurement Accuracy</b>	Signal input: 0.5% of full scale		
<b>Network Communications</b>	Modbus RS485		
<b>Temperature Unit</b>	°C/°F selectable		
<b>Signal sample time</b>	168ms		
<b>Display</b>	7-segment, Red.		
<b>4 x Function Keys</b>	ESC, DOWN, UP, ENTER		
<b>Key De-Bounce Time</b>	>/= 40 ms		

### Mechanical Specifications

<b>Bezel Size</b>	48 x 96 x 65 mm
<b>Degree of Protection</b>	IP65: Front plate, IP20: terminals, IP30 Enclosure
<b>Panel cut-out</b>	92 x 45 mm
<b>Enclosure</b>	Flame Retardant (UL94 V-0)
<b>Weight (unpacked)</b>	145 gm
<b>Operation orientation</b>	Horizontal

### Electrical Specifications

Supply Voltage	180 – 270 Vac`
Supply Frequency	47 – 63 Hz
Power Consumption	5 VA Max @ 230 Vac
Relay Outputs	2 x programmable SPDT alarm relay outputs
Sensor Supply output	24 Vdc

### Environmental Characteristics

Operating Temperature	0 to 50°C
Storage Temperature	-20 to 75°C
Operating Humidity	85% RH (Non-Condensing)
Operating Altitude	2000 m (max)
Pollution Degree	II

### Additional Information

EAN	N/A
Custom Tariff Number	90303100

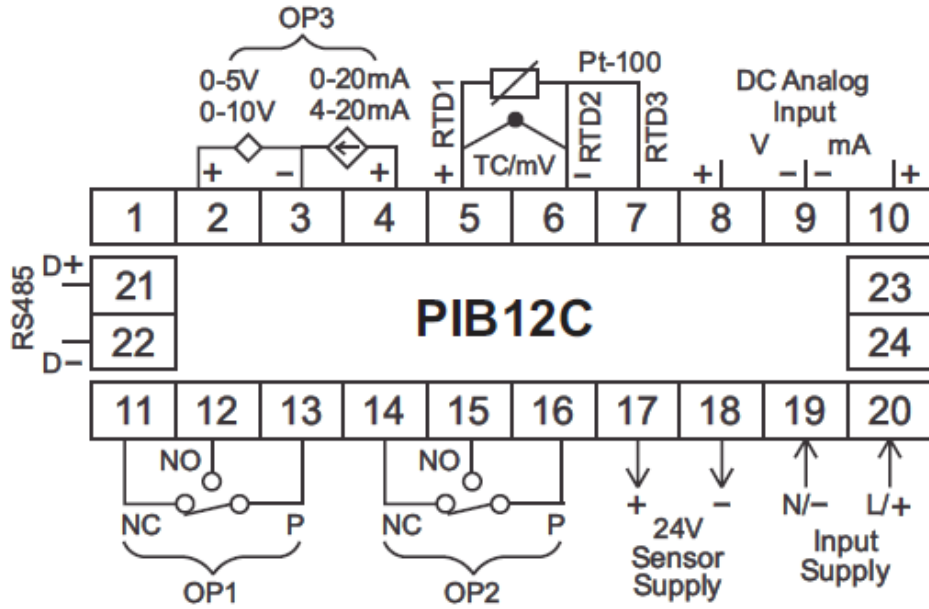
### Approvals

Declarations	MFR Declaration of Conformity
Standards Met	CE, UKCA

### Similar Products

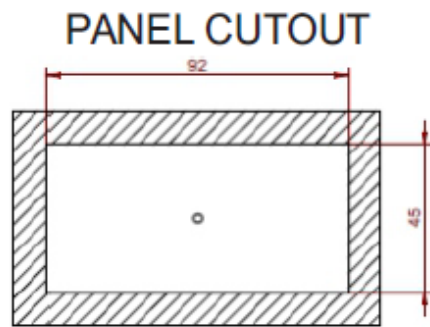
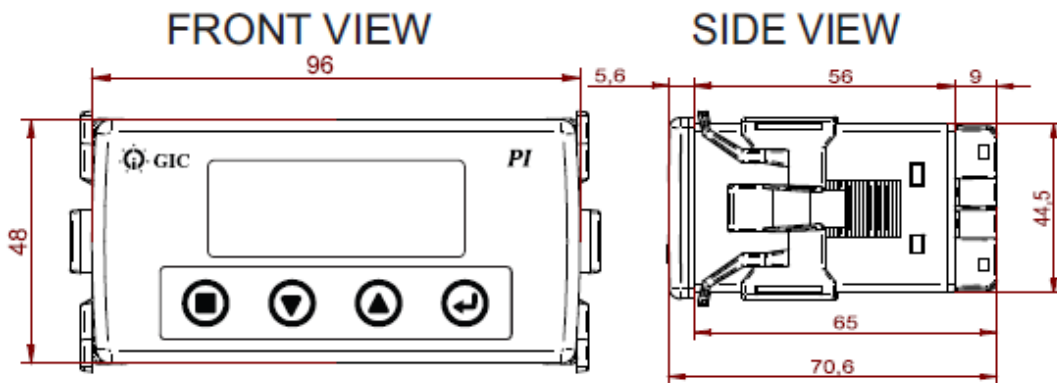
Stock No.	Brand	Product Name	Features
2333534	RS PRO	Process Indicator	Analogue Input 0 – 20 mA, 4 – 20 mA, 0 – 10 Vdc
2333538	RS PRO	Process Indicator	RTD & Thermocouple inputs
2333535	RS PRO	Process Indicator	Analogue (I & V) RTD & Thermocouple inputs. 24Vdc Sensor Supply output
2333536	RS PRO	Process Indicator/Controller	Analogue (I & V) RTD & Thermocouple inputs. 24Vdc Sensor Supply output, 2 x SPDT Alarm Relay outputs

**Connections**



**Dimensions**

All dimensions in mm



**Terminal Details:**

Ø4.....5.0mm Combi Head Bit, /Flat	0.5 N.m (4.4lb.in) to 0.7N.m (6.2lb.in)
	2 x 2.5 mm <sup>2</sup> Solid / Standard Wire
<b>AWG</b>	1 X 20 to 12