

Product Datasheet

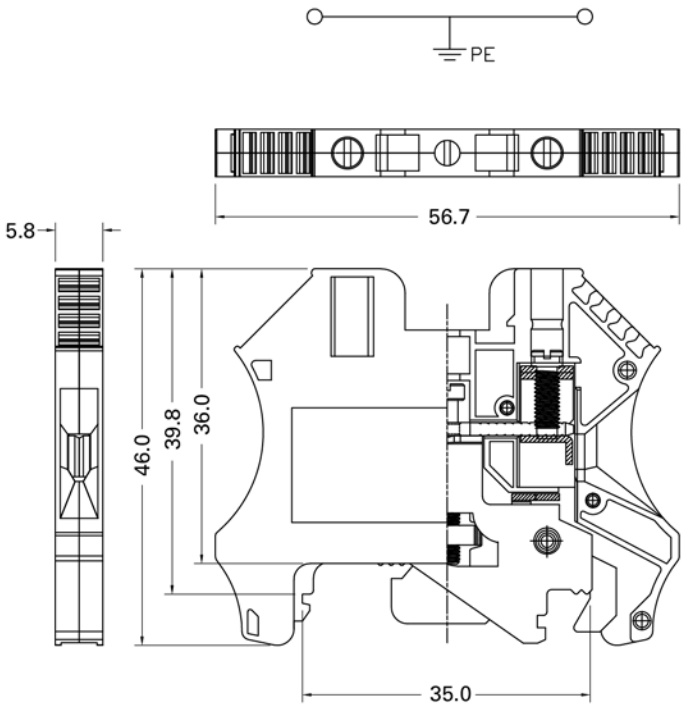
Screw Ground Terminal Blocks, 2.5sq.mm

Screw Clamp Ground Terminal Blocks, 26-12 AWG, 0.5-2.5 sq.mm




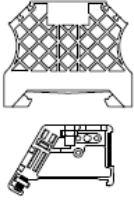

878-7569



Dimensions in mm



Product Specifications:

Specifications	2.5mm ²
Technical Date	Rated voltage / Rated current / Wire size
UL	AWG 26-12
CSA	AWG 26-12
IEC	0.5-2.5mm ²
Insulating impulse voltage withstand/pollution degree	8KV / 3
Torque (in -lbs)	7
Clamping Screw (M)	M3
Insulation stripping length (mm)	8~10 mm
Net weight per piece	19g
Material / Available Color	 Green / Yellow
Rail Dimensions	T / W / H (mm)
For TS35x7.5 	5.8 x 57 x 47.5
For TS35x15 	5.8 x 57 x 55
Accessories	Cat. No.
End Bracket 	8787553 8787556
Marking Tags 	8787590