



Flush Illuminated Vandal Resistant Switch



Domed Illuminated Vandal Resistant Switch

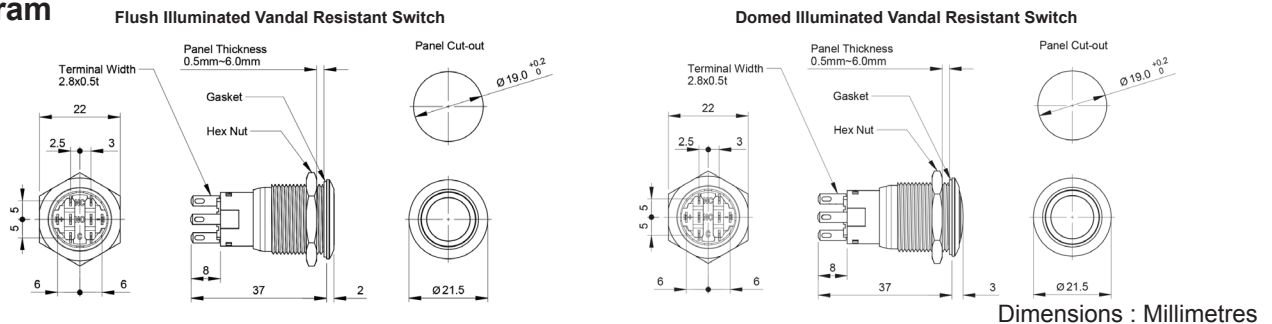
Features

- For a mounting hole diameter of 19mm
- Contact blocks with silver contacts
- Two different top type: Flush & Domed mount top

Specifications

Rated Voltage	: 250V
Rated Current	: 5A
LED Voltage	: 12V
LED Colour	: Red / Green / Blue
Switch Operation	: 1NO + 1NC / 2NO + 2NC
Material / Finish	: Stainless Steel
Dielectric Strength	: Between live part and ground: 2,000V AC / min Between terminals of the same poles: 1,000V AC / min
Contact Resistance	: 50mΩ Max. (Initial value)
Insulation Resistance	: 100MΩ Min. (500V DC)
Operating Humidity	: 45 to 85% RH (No condensation)
Storage Temperature	: -30°C to +80°C (No freezing)
Operating Temperature	: -25°C to +50°C (No freezing)
Vibration Resistance	: Operating extremes/Damage limits: 5 to 55Hz, Amplitude: 0.5mm
Shock Resistance	: Damage limits: 500 m/S ² Operating limits: 200 m/S ²
Mechanical Life	: Momentary: 1,000,000 Maintained: 250,000
Electrical Life	: 50,000
Degree of Protection	: IP67
Terminal Style	: Solder terminal
Weight	: 22g

Diagram



Part Number Table

Description	Switch Operation	Contact Configuration	LED Colour	Part Number	
Flush Illuminated Vandal Resistant Switch	Maintained	1NO + 1NC	Blue Ring	MC010917	
		1NO + 1NC	Green Ring	MC010915	
		1NO + 1NC	Red Ring	MC010916	
		2NO + 2 NC	Blue Ring	MC010920	
		2NO + 2 NC	Green Ring	MC010918	
		2NO + 2 NC	Red Ring	MC010919	
	Momentary	1NO + 1NC	Blue Ring	MC010911	
		1NO + 1NC	Green Ring	MC010909	
		1NO + 1NC	Red Ring	MC010910	
		2NO + 2 NC	Blue Ring	MC010914	
		2NO + 2 NC	Green Ring	MC010912	
		2NO + 2 NC	Red Ring	MC010913	
	Domed Illuminated Vandal Resistant Switch	Maintained	1NO + 1NC	Blue Ring	MC010929
			1NO + 1NC	Green Ring	MC010927
1NO + 1NC			Red Ring	MC010928	
2NO + 2 NC			Blue Ring	MC010932	
2NO + 2 NC			Green Ring	MC010930	
2NO + 2 NC			Red Ring	MC010931	
Momentary		1NO + 1NC	Blue Ring	MC010923	
		1NO + 1NC	Green Ring	MC010921	
		1NO + 1NC	Red Ring	MC010922	
		2NO + 2 NC	Blue Ring	MC010926	
		2NO + 2 NC	Green Ring	MC010924	
		2NO + 2 NC	Red Ring	MC010925	

Important Notice : This data sheet and its contents (the "Information") belong to the members of the AVNET group of companies (the "Group") or are licensed to it. No licence is granted for the use of it other than for information purposes in connection with the products to which it relates. No licence of any intellectual property rights is granted. The Information is subject to change without notice and replaces all data sheets previously supplied. The Information supplied is believed to be accurate but the Group assumes no responsibility for its accuracy or completeness, any error in or omission from it or for any use made of it. Users of this data sheet should check for themselves the Information and the suitability of the products for their purpose and not make any assumptions based on information included or omitted. Liability for loss or damage resulting from any reliance on the Information or use of it (including liability resulting from negligence or where the Group was aware of the possibility of such loss or damage arising) is excluded. This will not operate to limit or restrict the Group's liability for death or personal injury resulting from its negligence. Multicomp Pro is the registered trademark of Premier Farnell Limited 2019.