



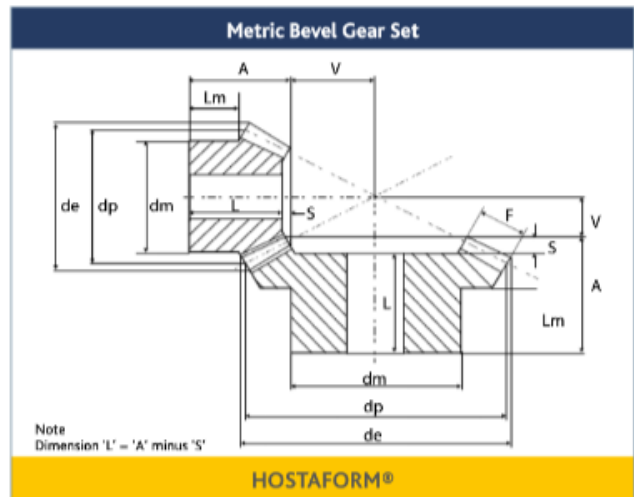
Datasheet

RS PRO Metric Moulded Bevel Gear, White HOSTAFORM®C 4:1 Ratio 1.0 – 2 MOD

Stock number: 182-8010, 182-8011, 182-8012, 182-8013, 182-8014, 182-8015

EN

- DIN 3964, DIN 3967, DIN 3971
- Standard tolerances, unless otherwise stated ± 0.25 mm
- Shaft axis to intersect within ± 0.025 mm
- Angular accuracy between shafts ± 5 mins
- Mounting distance tolerance ± 0.05 mm
- Bore tolerance H8
- Cut to the Gleason System
- 20° pressure angle
- Supplied in pairs
- All dimensions in mm
- White HOSTAFORM® C



Ratio 4 : 1 All are single wheels												
MOD	RS Article no.	Pitch module	No. teeth	dp (mm)	de (mm)	dm (mm)	Bore	F(mm)	Lm(mm)	A(mm)	A+V (mm)	S(mm)
1	1828010	1	10	10	12	7.8	4	8.2	9.3	17.7	30.1	0
	1828011	1	40	40	40.8	23.4	10	8.2	10.8	17	20.1	1.3
1.5	1828012	1.5	10	15	18	11.3	5	12	10.9	23.5	41.7	0
	1828013	1.5	40	60	61.2	30.4	12	12	12.8	21.7	26.2	1.7
2	1828014	2	10	20	23.8	14.3	6	16	12.8	28.9	54	0
	1828015	2	40	80	81.5	36	18	16	16.6	27	32.5	2.3

Note: Not sold as a set. Sold singularly.

