

FEATURES

- Made of cast iron
- Inside diameter of 25mm
- Length of 130mm
- Width of 68mm
- Depth of 35.7mm
- 2 mount holes
- 16mm mount hole size
- 99mm mount hole, centre-to-centre

2 Hole Flanged Bearing 25mm ID

RS Stock No.: 750-8879



RS Professionally Approved Products bring to you professional quality parts across all product categories. Our product range has been tested by engineers and provides a comparable quality to the leading brands without paying a premium price.

Product Description

The wing-shaped flanged bearing unit has 2 mounting holes and allows for a moderate amount of initial misalignment, so it's adaptable, as well as being quick and easy to install. The wing shape makes it better able to support intermediate axial loads than unflanged bearings. The unit can also accommodate intermediate radial speeds with a range of types of bearing.

General Specifications

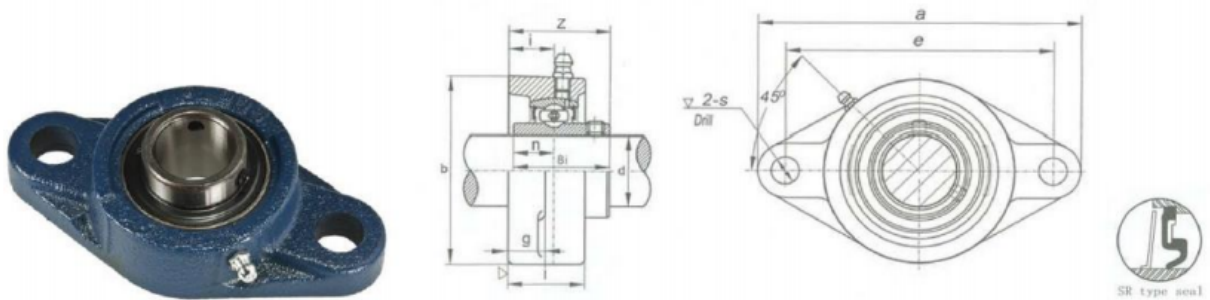
Material	Cast Iron
Number Of Mount Holes	2
Bolt Size	M14
Applications	Agricultural, bakery, construction, forestry, marine and textile equipment, construction plant, heat treatment equipment, forestry equipment, conveyor systems

Mechanical Specifications

Inside Diameter	25mm
Length	130mm
Width	68mm
Depth	35.7mm
Mount Hole Size	16mm
Mount Hole Centre-to-Centre	99mm
Weight	0.63kg



2 Bolt Flange Bearing unit – Metric



RS Article no.	Bearing unit No.	Shaft Dia.	Dimension (mm)											Bolt used	Bearing No.	Housing No.	Weight (kg)
		d (mm)	a	e	i	g	l	s	b	z	Bi	n	(mm)				
7508851	UCFL201	12	113	90	15	12	25.5	12	60	33.3	31.0	12.7	M10	UC 201	FL 201	0.49	
7508860	UCFL202	15	113	90	15	12	25.5	12	60	33.3	31.0	12.7	M10	UC 202	FL 202	0.49	
7508863	UCFL203	17	113	90	15	12	25.5	12	60	33.3	31.0	12.7	M10	UC 203	FL 203	0.49	
7508867	UCFL204	20	113	90	15	12	25.5	12	60	33.3	31.0	12.7	M10	UC 204	FL 204	0.49	
7508879	UCFL205	25	130	99	16	14	27.0	16	68	35.7	34.0	14.3	M14	UC 205	FL 205	0.63	
7508873	UCFL206	30	148	117	18	14	31.0	16	80	40.2	38.1	15.9	M14	UC 206	FL 206	0.94	
7508885	UCFL207	35	161	130	19	16	34.0	16	90	44.4	42.9	17.5	M14	UC 207	FL 207	1.2	
7508896	UCFL208	40	175	144	21	16	36.0	16	100	51.2	49.2	19.0	M14	UC 208	FL 208	1.6	
7508891	UCFL209	45	188	148	22	18	38.0	19	108	52.2	49.2	19.0	M16	UC 209	FL 209	1.9	
7508895	UCFL210	50	197	157	22	18	40.0	19	115	54.6	51.6	19.0	M16	UC 210	FL 210	2.2	
7508905	UCFL211	55	224	184	25	20	43.0	19	130	58.4	55.6	22.2	M16	UC 211	FL 211	3.2	
7508908	UCFL212	60	250	202	29	20	48.0	23	140	68.7	65.1	25.4	M20	UC 212	FL 212	4.1	