

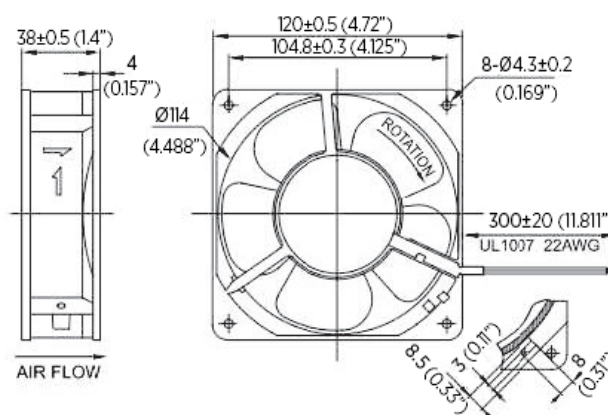


Datasheet

RS PRO AC AXIAL FAN 230VAC 120×38mm IP55

Stock number: 175-9807

EN



Frame	Diecast Aluminum	<p>Operating Temperature -20C - +70C</p> <p><u>Life Expectancy</u> >40,000 hours (L10 at 40C)</p> <p><u>Environmental Protection</u> IP55</p> <p>Class B Insulation</p> <p>Weight: ~ 0.476 kg (1.05 lbs.)</p> <p>m2</p>	<p>Static Pressure ("H2O)</p> <p>Airflow (CFM)</p>
Impeller	PBT, UL94V-O plastic		
Connection	Terminals		
Motor	AC Shaded pole, impedance		
Bearing System	Dual ball bearing		
Insulation Resistance	>100M ohm between lead-wire and frame		
Dielectric Strength	1 min at 1500 VAC, 50/60Hz		

Model Number	175-9807
Nominal Voltage	230 VAC
Voltage Current	.08A
Rated Power	15 W
Rated Speed (RPM)	3100
Airflow - CFM	106
Noise Level - (dB)	46
Max. Static Pressure	0.32" H ₂ O