

## FEATURES

- Piezo buzzer with a slow pulsed tone
- Panel mounting
- Minimum supply voltage of 6 V AC/DC
- Maximum supply voltage of 28 V AC/DC
- 70 dB sound level
- Internal drive
- Diameter of 42.5 mm
- Height of 33 mm
- Operating temperature range of -30°C to +85°C
- Supply current of 15 mA
- Minimum frequency of 2.3 kHz
- Maximum frequency of 3.3 kHz
- Conforms to ANSI/ESD S20.20:2014 and BS EN 61340-5-1:2007 Electrostatic Control Standards

## RS PRO 70dB, Panel Mount Fast Pulse Internal Piezo Buzzer

RS Stock No.: 535-8461



RS Professionally Approved Products bring to you professional quality parts across all product categories. Our product range has been tested by engineers and provides a comparable quality to the leading brands without paying a premium price.

## Product Description

These powerful internal buzzers offer a space-saving design combining a high voltage range and clear sound. With a broad operating temperature range of -30°C to +85°C, they're ideal for manufacturing environments that experience temperature variations. The buzzers only need a 15 mA supply current and operate between 60 V DC and 250 V DC. This makes them unlikely to malfunction when connected to higher-voltage appliances. Thanks to a slow-pulsing 70 dB tone, they're easily heard without being shrill. The panel-mount units are simple to install, measuring in at only 42.5 mm in diameter. They're fitted with FASTON terminals, which mean that wires can be crimped onto them without the need to solder.

## General Specifications

<b>Mounting Type</b>	Panel Mount
<b>Sound Level</b>	70dB
<b>Drive Type</b>	Internal
<b>Tone Type</b>	Fast Pulse
<b>Colour</b>	Black
<b>Application</b>	Alarms or warning systems, communications equipment and electronic cash registers.

## Electrical Specifications

<b>Minimum Supply Voltage</b>	6V ac/dc
<b>Maximum Supply Voltage</b>	28V ac/dc
<b>Maximum Frequency</b>	3.3kHz
<b>Minimum Frequency</b>	2300Hz
<b>Supply Current</b>	23mA

## Mechanical Specifications

<b>Diameter</b>	42.5mm
<b>Height</b>	33mm
<b>Dimensions</b>	42.5 (Dia.) x 33mm
<b>Sound Level Distance</b>	30cm

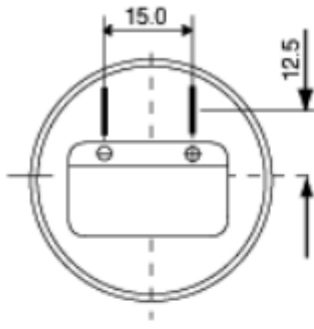
## Operation Environment Specifications

Minimum Operating Temperature	-30°C
Maximum Operating Temperature	85°C

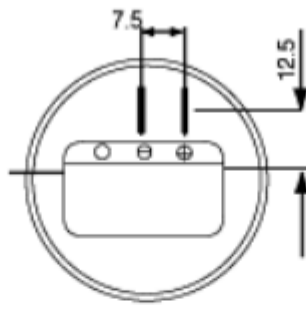
## Approvals

Compliance/Certifications	ANSI/ESD S20.20:2014, BS EN 61340-5-1:2007
---------------------------	--

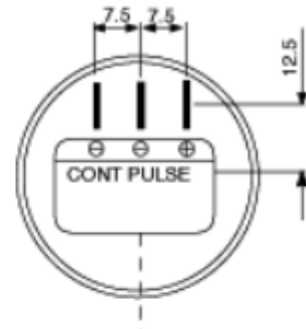




Bottom View 3



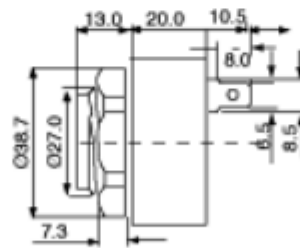
Bottom View 4



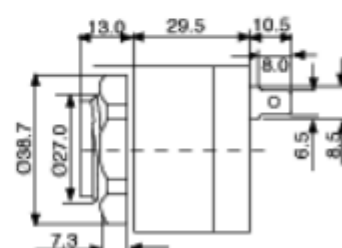
Bottom View 5



Top View



Side View D



Side View E

**Tolerance:  $\pm 0.5\text{mm}$  Unit: mm**