

FLOAT AND THERMOSTATIC STEAM TRAPS FLT16 (DN1/2"- 3/4" ; DN15 - DN20)

DESCRIPTION

FLT 16 float and thermostatic (integral air vent) steam traps series are designed for all types of low and high pressure steam heating and process equipment.

Typical applications include unit heaters, heat exchangers, driers, jacketed vessels and all the applications where continuous drainage is essential.

Connections are female screwed or flanged for horizontal or vertical installation.



MAIN FEATURES

Modulating discharge.

Discharges condensate at steam temperature.

Unaffected by sudden or wide load and pressure changes.

Excellent air discharge (by thermostatic air vent).

OPTIONS:

SLR – steam lock release

Equalizing plug and vent connection.

Saturated and superheated steam.

USE:

AVAILABLE

MODELS:

FLT16-4,5 , 10 and 14

SIZES:

DN ½" to DN ¾" – DN15 to DN20

CONNECTIONS:

Female screwed ISO7/1 Rp (BS21)

Flanged EN 1092-2 PN16

INSTALLATION:

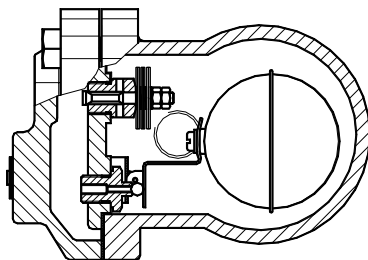
Standard horizontal installation –

From right to left FLT16 (R-L)

Upon request:

-horizontal installation with the flow from left to right (L-R)

-vertical installation with the flow from top to bottom (V)



PMA – Max.allowable pressure 16 bar

TMA – Max.allowable temperature 250 °C

PMO – Max.operating pressure 14 bar

TMO – Max.operating temperature 198 °C

How to order:i.e. FLT16-14 DN 1/2" BSP

MAX. DIFFERENTIAL PRESSURE

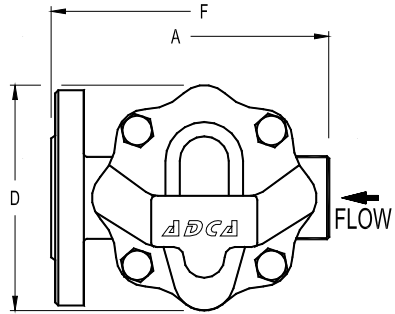
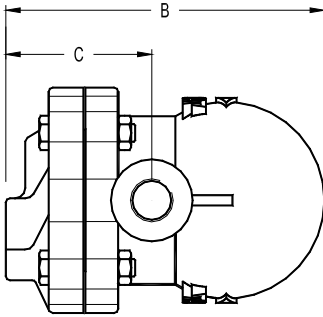
FLT16-4,5 : 4,5 bar

FLT16-10 : 10 bar

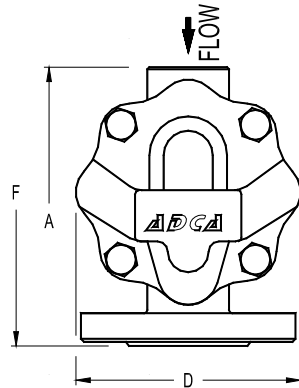
FLT16-14: 14 bar

FLOW RATE CAPACITY IN Kgs/h														
MODEL	SIZE	DIFFERENTIAL PRESSURE (bar)												
		0,5	1	1,5	2	3	4,5	6	7	8	9	10	12	14
FLT16-4,5	15 - 20	200	280	320	360	400	495							
FLT16-10	15 - 20	110	140	175	190	230	280	300	330	350	390	405		
FLT16-14	15 - 20	70	100	120	140	155	190	210	220	225	230	260	280	300

FLOAT AND THERMOSTATIC STEAM TRAPS FLT16 (DN1/2"- 3/4" ; DN15 - DN20)



DIMENSIONS (mm)-Screwed					EN 1092-2 Flanges		
SIZE DN	A	B	C	D	WGT. Kgs	F	WGT. Kgs
15	122	150	68	108	3,5	150	4,4
20	122	150	68	108	3,5	150	4,9



MATERIALS		
POS.Nr.	DESIGNATION	MATERIAL
1	Body	GJS-400-15 / 0.7040
2	Cover	GJS-400-15 / 0.7040
3	*Gasket	Stainless st. / Graphite
4	*Seat	AISI 410 / 1.4006
5	*Valve	AISI 410 / 1.4006
6	*Lever	AISI 304 / 1.4301
7	*Float	AISI 304 / 1.4301
8	*Air vent	Stainless st. (Bimetallic)
9	Bolts	Steel 8.8

*Available spare parts.

