

Datasheet

RS PRO VINYL-INSULATED (MOLDED EASY ENTRY) DIN RING TERMINALS

Stock number: 178-7277

MAXIMUM ELECTRIC CURRENT:

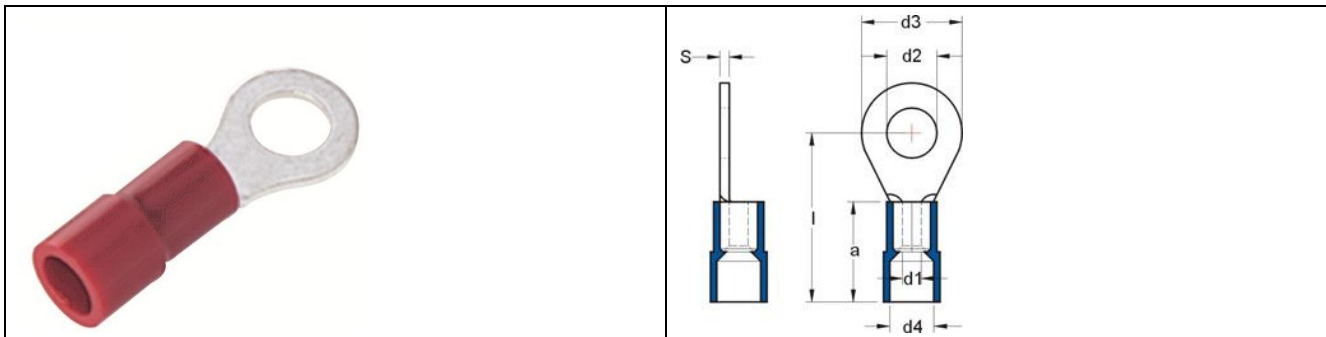
A.W.G.	22	20	18	16
AMP.	9	12	17	18

MAXIMUM ELECTRICAL RATING: 105° C 600 VOLTS MAX.

INSULATION MATERIAL: VINYL (PVC)

TERMINAL MATERIAL: COPPER

INSULATION COLOR: RED



WIRE RANGE A.W.G. mm ²	ITEM NO. BUTTED SEAM	STUD SIZE d2	DIMENSION (mm)						
			D3	I	d1	D4	A	S	
22-16 A.W.G. 0.5-1.5 mm ²	<input type="checkbox"/> 178-7277	#10	5.3	8	19	1.6	4	11	0.8