
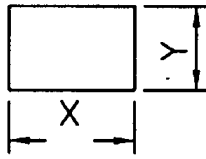
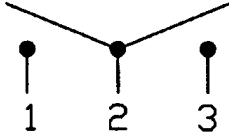
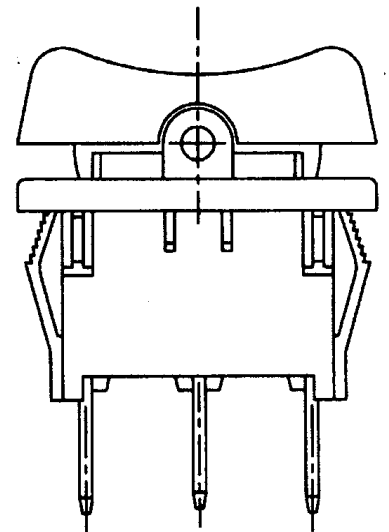
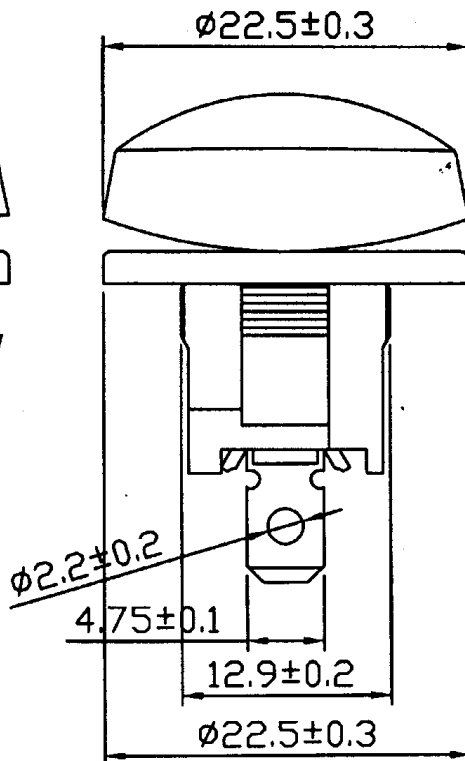
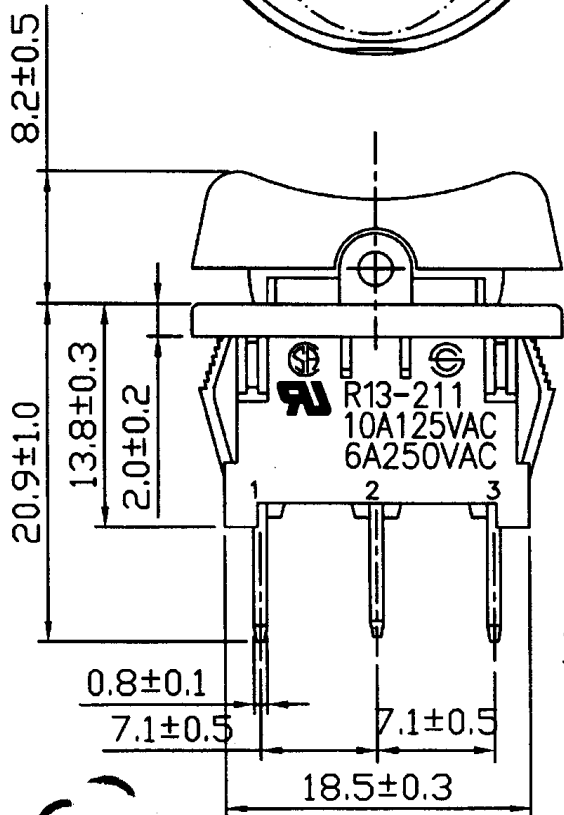
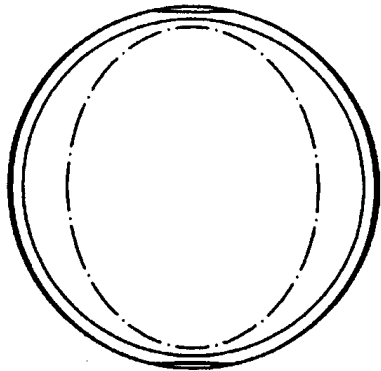
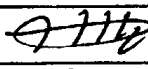
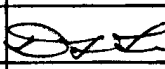


Rating	10A 125V AC 6A 250V AC		Mounting Hole	Circuit Diagram	
Contact R	50m ohm Max.				
Insulation R	DC 500V 100M ohm Min.				
Dielectric Strength	AC 1500V 1 minute				
Operation Temperature	-20°C~85°C		Thickness		
Circuit	3P SPDT ON-OFF-ON		X	Y	
			0.75...1.25	19.2-0.1	13+0.1
			1.25...2.0	19.4-0.1	13+0.1
			2.0...3.0	19.8-0.1	13+0.1



原稿

Betty \ ■ \ R13-211D(1820979)

△		Date	Name	Descriptions			
Drawing	Check	Approval	SCI No.	1820979	Model Name	ROCKER SWITCH	
Betty			Customer No.		Model No.	R13-211D-02-BBNN-0	
10/09/'06	10/24/06	10/25/06	Unit	mm	SHIN CHIN INDUSTRIAL CO., LTD.		