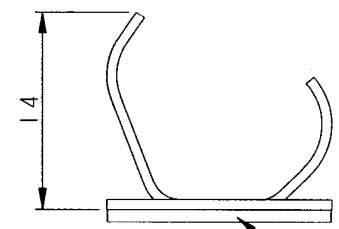
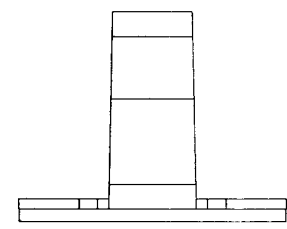
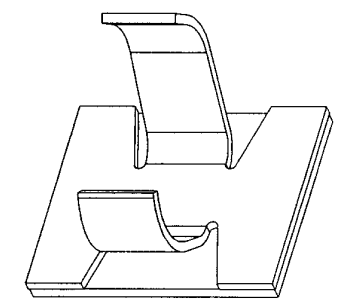
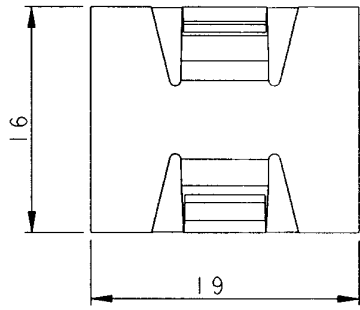


A B C D E F G H

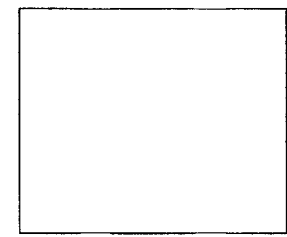
REV	DESCRIPTION	DATE
-----	-------------	------



Self-adhesive layer

- NOTE:
1. Stock No : 543939
 2. Max cable/s dia : 10mm
 3. Clip Matl. : Aluminium
 4. Base Matl. : Polyethylene Pad-Self Adhesive.

Tolerance Unless Otherwise Specified	
0 > 6 mm ± 0.2	ANGLE
6 > 18 mm ± 0.3	0° > ° REF ±
18 > 30 mm ± 0.4	° > ° REF ±
30 > 75 mm ± 0.5	° > ° REF ±



NAME	OPEN ARM CLIPS	UNIT	mm	
------	----------------	------	----	--

