

VDGT SERIES RUBBER CABLE REEL WITH DOOR



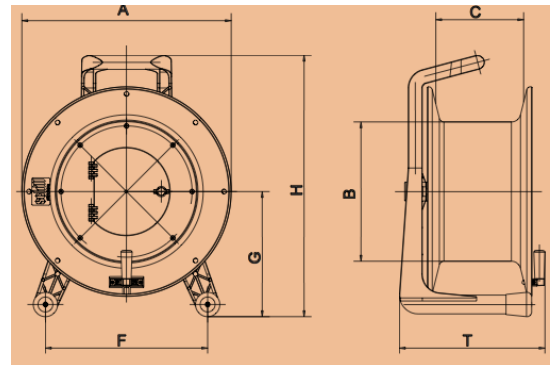
- Synthetic rubber drum mounted on a high impact plastic frame
- Integral secure hinged door in the reel hub – ideal for protection of captive end connectors and cables
- Available in 3 different sizes
- Combination of the large hub size and protected area for storage of the captive tails makes these reels ideal for fibre optic and networking cable systems
- RoHS Exempt

PRODUCT LISTING

MPN (Manufacturer's Part Number)	Description
805-040-000	Van Damme VDGT310.DR rubber cable reel with door
805-042-000	Van Damme VDGT380.DR rubber cable reel with door
805-044-000	Van Damme VDGT450.DR rubber cable reel with door

TECHNICAL DATA

Dimensions (mm)	VDGT310	VDGT380	VDGT450
A (Flange size)	310	380	445
B (Hub diameter)	170	236	296
C (Internal width)	132	182	187
F (Feet width)	263	310	345
G (Feet to axle)	174	231	266
H (Overall height)	367	491	555
T (External width)	229	291	310
Weight (Kg)	1.78	4.35	5.14



CAPACITIES

Cable capacities indicated are nominal, typically 70-75% of the recommended maximum. This recognises that in real world use cables will not be re-reeled with precision

Cable diameter (mm)	VDGT310	VDGT380	VDGT450
6.00	136	249	305
10.00	44	82	101
12.00	30	55	68
15.00	18	34	42
20.00	n/a	18	23