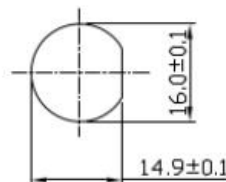
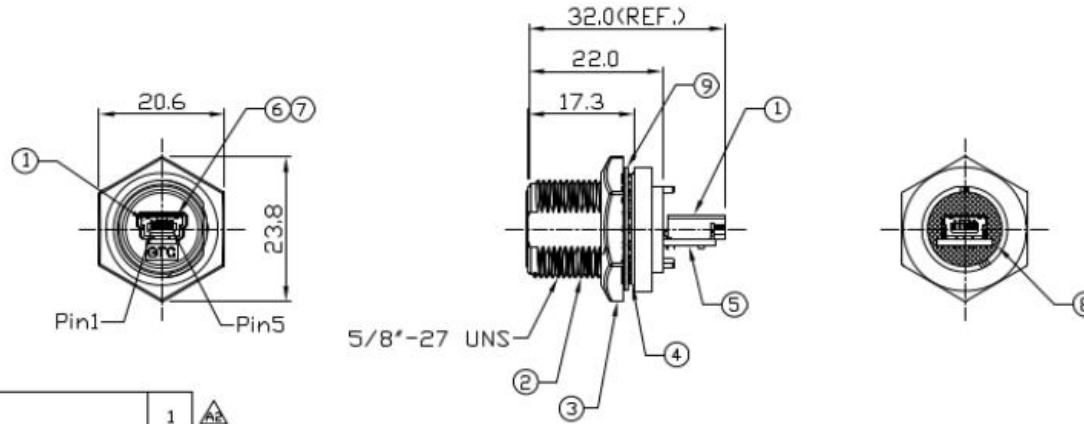




Notes: (Unless Otherwise Specified)

1. Waterproof Rate: IP68.
2. Recommend Panel Thickness: 0.8 to 8.0 mm.
3. Recommend Torque: 19~20 Kgf-cm.
4. Mating Cap P/N: 125-7928
5. RoHS Compliant.

REV	ECN#	DESCRIPTION OF REVISION	DRAW BY DATE	CHECK BY DATE	APPROVE BY DATE
A2	ECN-120313	Add Metal Washer, Marked	Joyce 04/09/12	Lucas 04/09/12	Ray 04/09/12
A3	ECN-130208	Modify Panel Cut Out Direction	Joyce 02/20/13	Lucas 02/20/13	Ray 02/20/13



Front View  
Recommend  
Panel Cut-Out

Mating Part:  
122-3028

9	Metal Washer	Stainless Finish: —	1	
8	Gue	Epoxy Color: Black		
7	Holder	Thermoplastic Color: Black	1	
6	EMI Shielded Plate	Copper Alloy Finish: Ni Plated	1	
5	PCB	FR-4 Color: —	1	
4	O-Ring	Silicone Color: Red	1	
3	Hex Nut	Zn Alloy Finish: Ni Plated	1	
2	Housing	Zn Alloy Finish: Ni Plated	1	
1	Mini USB-B Receptacle	Housing: Thermoplastic, Color: Black Contacts: Copper Alloy, Finish: Au Plated Shell: Copper Alloy, Finish: Ni Plated	2	
Item	Part Name	Material / Finish	Qty	

TITLE						REV.			UNIT		SHEET	
Mini USB-B Metal C2 Panel Jack With Coupler Screw						A3			mm		1/1	
	B	1:1	Edwin 12/25/09	Ray 12/25/09	Ray 12/25/09	X.X	± 0.5	X.XXX	± 0.05	mm	1/1	
THIRD ANGLE PROJECTION	SIZE	SCALE	DRAW / DATE	CHECK / DATE	APPROVE / DATE	TOLERANCES			UNIT	SHEET		

RS Stock No  
122-3027