

# Aluminium Enclosures with Neoprene Seal

**multicomp** PRO

**RoHS  
Compliant**

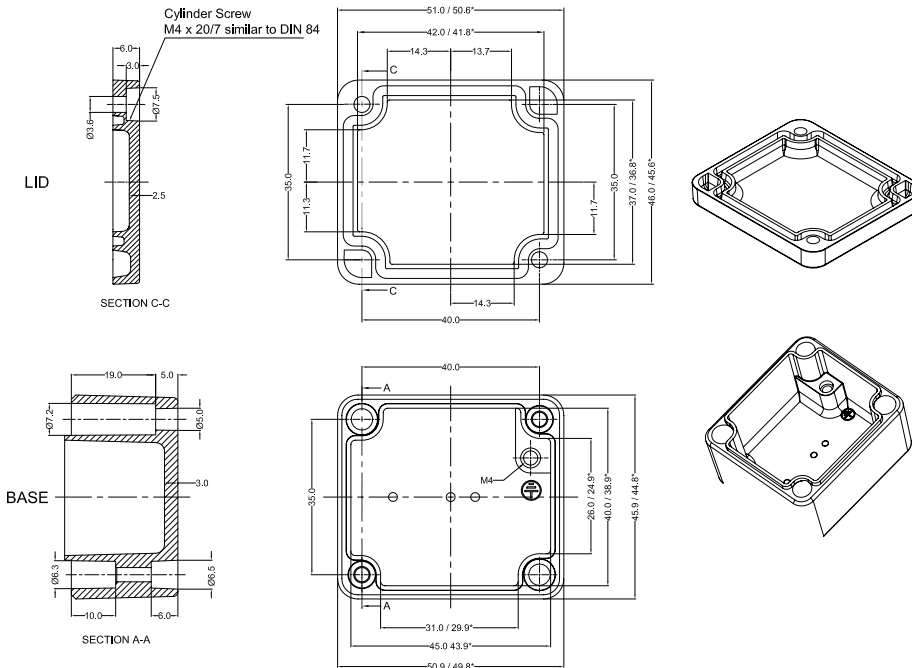


## Description

Our Aluminum Standard Enclosures are known for providing complete safety to your electrical equipment. We are well equipped with all the facilities required to modify the standard enclosure as per the customer's requirement. These customized services include machining, painting, silk screen printing.

Material	Aluminum Alloy (AlSi12)
IP	IP 66
Impact Energy	IK 09 (10 Joules)
Temperature Range	-40°C to +80°C (Neoprene)
	-60°C to +140°C (Silicone)
	-30°C to +150°C (Viton)
	-55°C to +125°C (EMC)
Gasket	Neoprene
Colour	1. Natural Finish (Pretreated)
	2. RAL 7001

## MP007221 & MP007282 - 50mm × 45mm × 30mm



Optional Accessories		
Part Name	Qty.	Availability
Mounting Plate	-	N
External Hinge	-	N
Internal Hinge	-	N
Mounting Brackets	-	N
Neoprene/Silicon Gasket	1	Y
Din Rail TS15	-	N
Din Rail TS35	-	N

\* = Conical form tapering downward.  
Untoleranced dimensions per GTA 13/5 DIN 1688

Dimensions : Millimetres

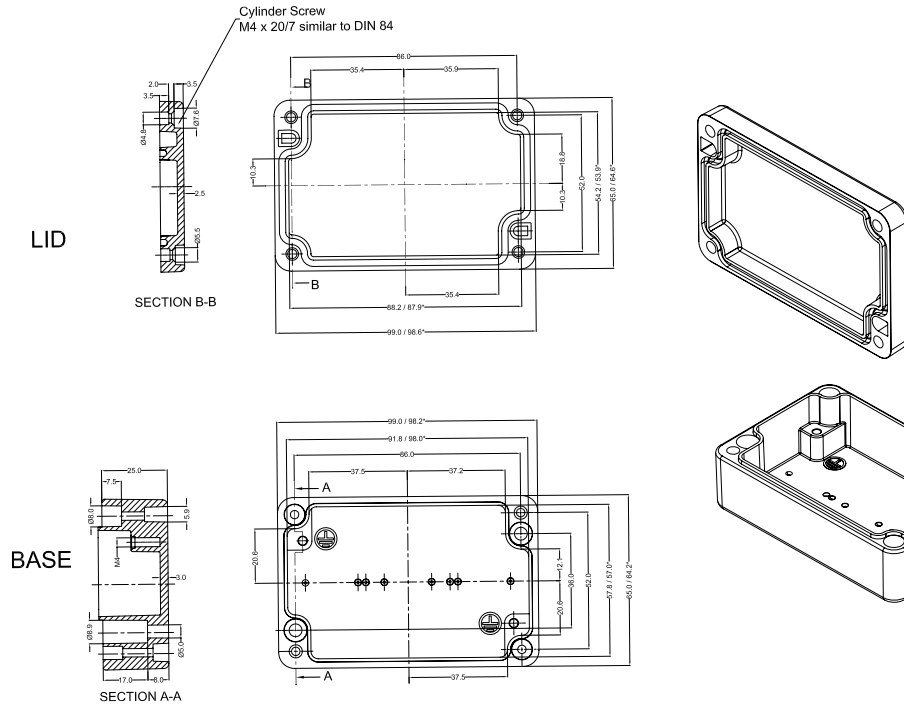
Newark.com/multicomp-pro  
Farnell.com/multicomp-pro  
sg.element14.com/b/multicomp-pro

**multicomp** PRO

# Aluminium Enclosures with Neoprene Seal

**multicomp** PRO

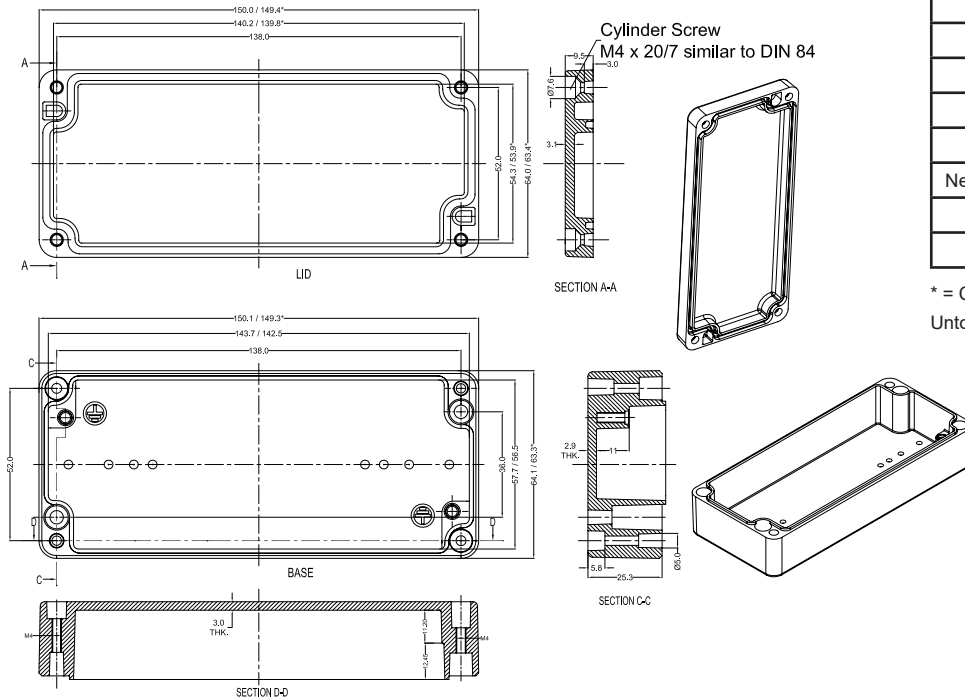
## MP007222 & MP007283 - 98mm × 64mm × 34mm



Optional Accessories		
Part Name	Qty.	Availability
Mounting Plate	-	N
External Hinge	-	N
Internal Hinge	-	N
Mounting Brackets	-	N
Neoprene/Silicon Gasket	1	Y
Din Rail TS15	-	N
Din Rail TS35	-	N

\* = Conical form tapering downward.  
Untoleranced dimensions per GTA 13/5 DIN 1688

## MP007223 & MP007284 - 150mm × 64mm × 34mm



Optional Accessories		
Part Name	Qty.	Availability
Mounting Plate	-	N
External Hinge	-	N
Internal Hinge	-	N
Mounting Brackets	-	N
Neoprene/Silicon Gasket	1	Y
Din Rail TS15	-	N
Din Rail TS35	-	N

\* = Conical form tapering downward.  
Untoleranced dimensions per GTA 13/5 DIN 1688

Dimensions : Millimetres

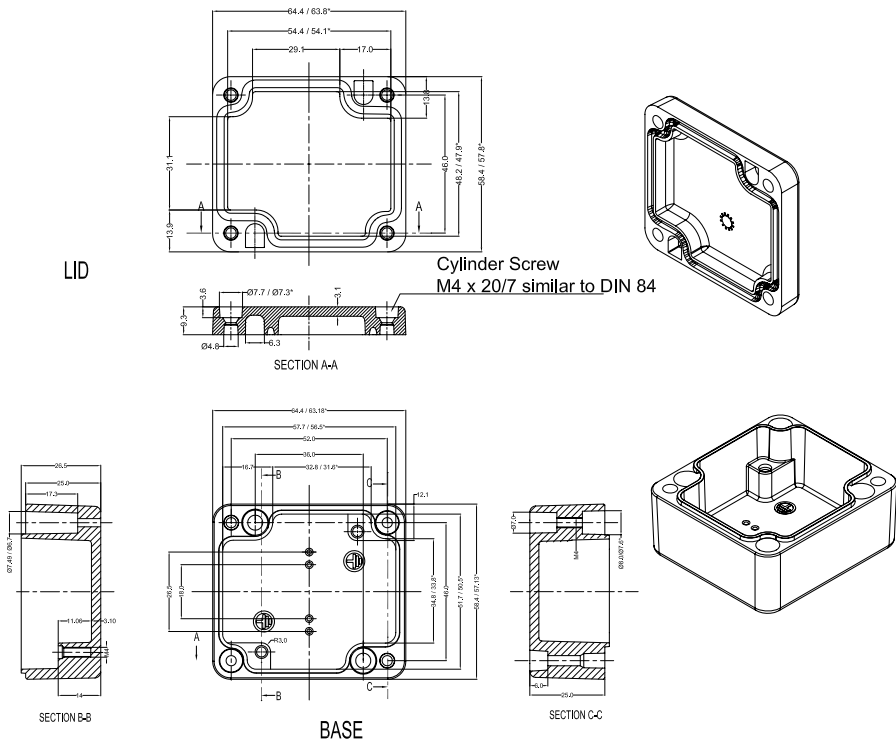
Newark.com/multicomp-pro  
Farnell.com/multicomp-pro  
sg.element14.com/b/multicomp-pro

**multicomp** PRO

# Aluminium Enclosures with Neoprene Seal

**multicomp** PRO

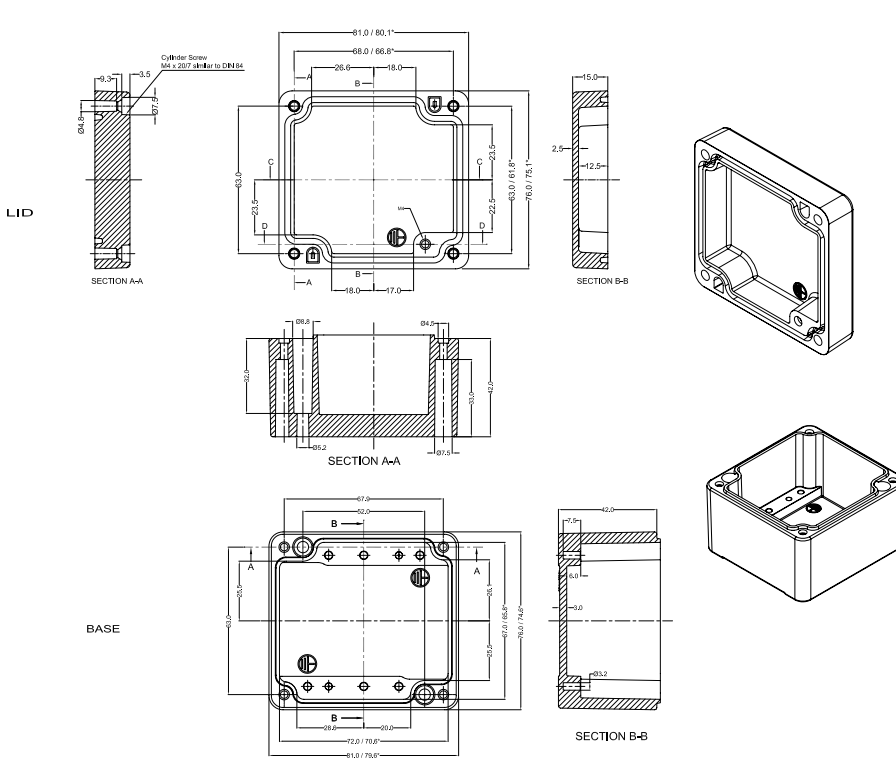
## MP007224 & MP007285 - 58mm x 64mm x 34mm



Optional Accessories		
Part Name	Qty.	Availability
Mounting Plate	-	N
External Hinge	-	N
Internal Hinge	-	N
Mounting Brackets	-	N
Neoprene/Silicon Gasket	1	Y
Din Rail TS15	-	N
Din Rail TS35	-	N

\* = Conical form tapering downward.  
 Untoleranced dimensions per GTA 13/5 DIN 1688

## MP007225 & MP007286 - 75mm x 80mm x 57mm



Optional Accessories		
Part Name	Qty.	Availability
Mounting Plate	1	Y
External Hinge	-	N
Internal Hinge	-	N
Mounting Brackets	-	N
Neoprene/Silicon Gasket	1	Y
Din Rail TS15	1	Y
Din Rail TS35	-	N

\* = Conical form tapering downward.  
 Untoleranced dimensions per GTA 13/5 DIN 1688

Dimensions : Millimetres

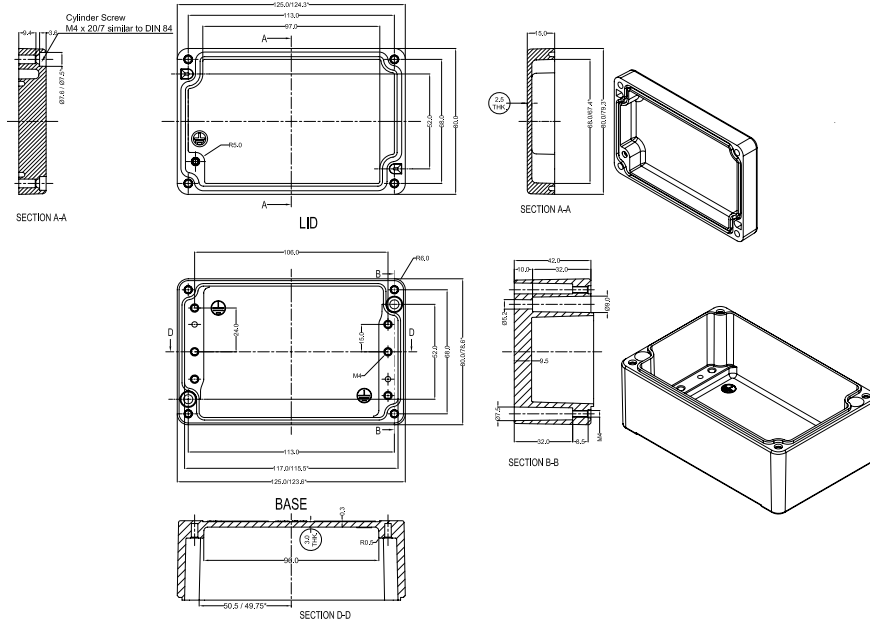
Newark.com/multicomp-pro  
 Farnell.com/multicomp-pro  
 sg.element14.com/b/multicomp-pro

**multicomp** PRO

# Aluminium Enclosures with Neoprene Seal

**multicomp** PRO

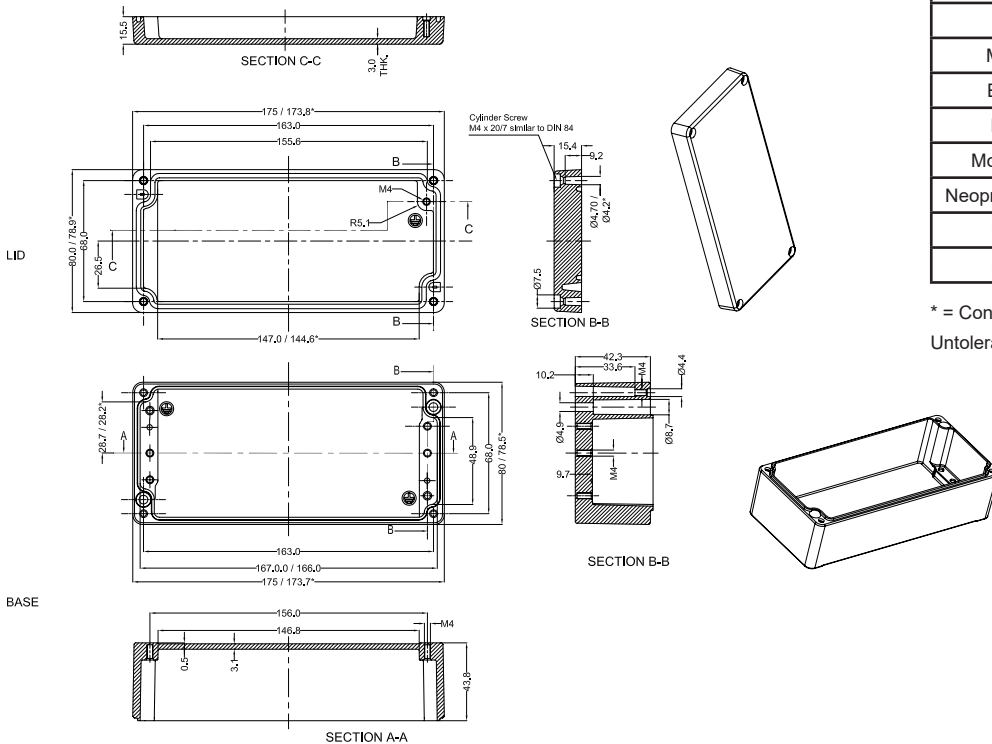
## MP007226 & MP007287 - 125mm × 80mm × 57mm



Optional Accessories		
Part Name	Qty.	Availability
Mounting Plate	1	Y
External Hinge	-	N
Internal Hinge	-	N
Mounting Brackets	-	N
Neoprene/Silicon Gasket	1	Y
Din Rail TS15	1	Y
Din Rail TS35	-	N

\* = Conical form tapering downward.  
 Untoleranced dimensions per GTA 13/5 DIN 1688

## MP007227 & MP007288 - 175mm × 80mm × 57mm



Optional Accessories		
Part Name	Qty.	Availability
Mounting Plate	1	Y
External Hinge	-	N
Internal Hinge	-	N
Mounting Brackets	-	N
Neoprene/Silicon Gasket	1	Y
Din Rail TS15	1	Y
Din Rail TS35	-	N

\* = Conical form tapering downward.  
 Untoleranced dimensions per GTA 13/5 DIN 1688

Dimensions : Millimetres

Newark.com/multicomp-pro  
 Farnell.com/multicomp-pro  
 sg.element14.com/b/multicomp-pro

**multicomp** PRO

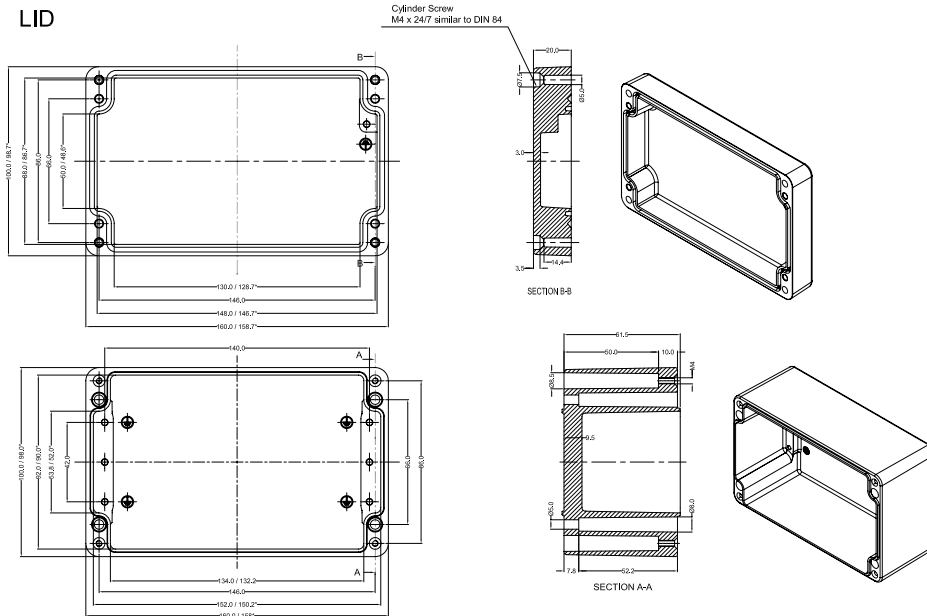


# Aluminium Enclosures with Neoprene Seal

**multicomp** PRO

## MP007230 & MP007291 - 160mm × 100mm × 81mm

LID

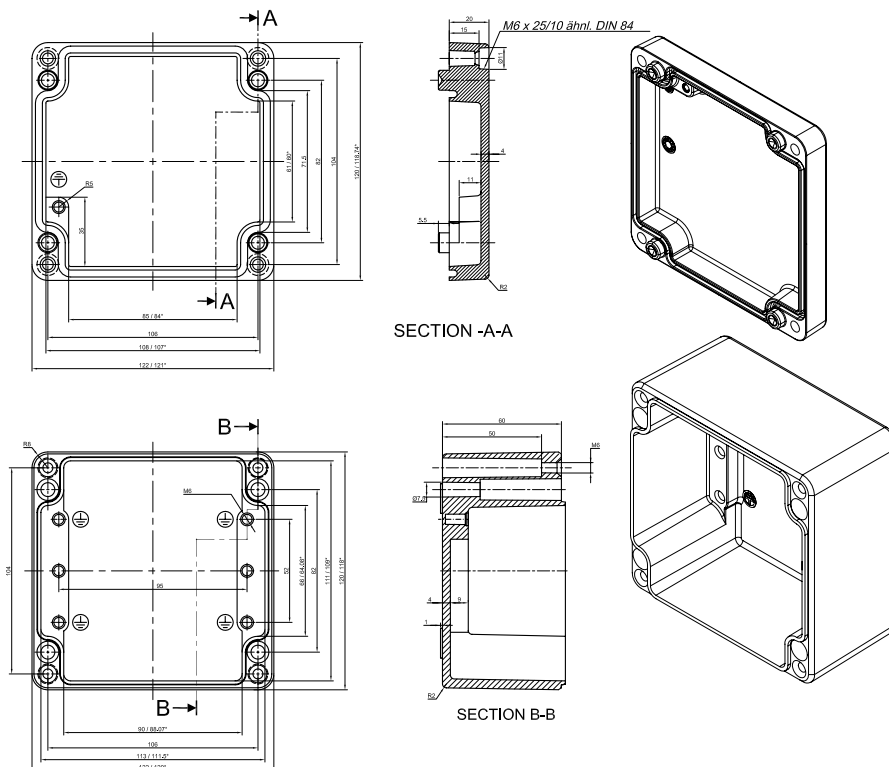


Optional Accessories		
Part Name	Qty.	Availability
Mounting Plate	1	Y
External Hinge	2	Y
Internal Hinge	-	N
Mounting Brackets	4	Y
Neoprene/Silicon Gasket	1	Y
Din Rail TS15	1	Y
Din Rail TS35	-	N

\* = Conical form tapering downward.  
 Untoleranced dimensions per GTA 13/5 DIN 1688

BASE

## MP007231 & MP007292 - 122mm × 120mm × 81mm



Optional Accessories		
Part Name	Qty.	Availability
Mounting Plate	1	Y
External Hinge	2	Y
Internal Hinge	-	N
Mounting Brackets	4	Y
Neoprene/Silicon Gasket	1	Y
Din Rail TS15	-	N
Din Rail TS35	1	Y

\* = Conical form tapering downward.  
 Untoleranced dimensions per GTA 13/5 DIN 1688

Dimensions : Millimetres

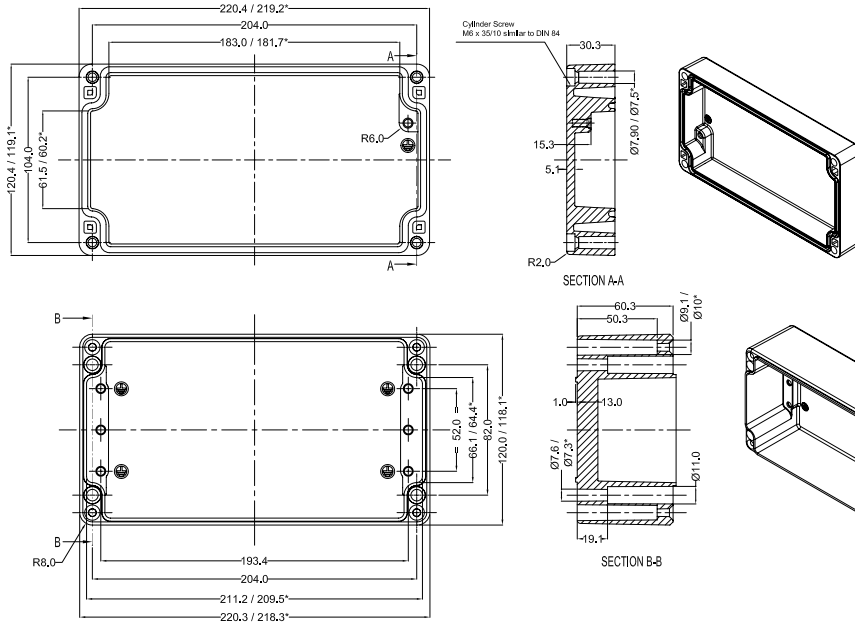
Newark.com/multicomp-pro  
 Farnell.com/multicomp-pro  
 sg.element14.com/b/multicomp-pro

**multicomp** PRO

# Aluminium Enclosures with Neoprene Seal

**multicomp** PRO

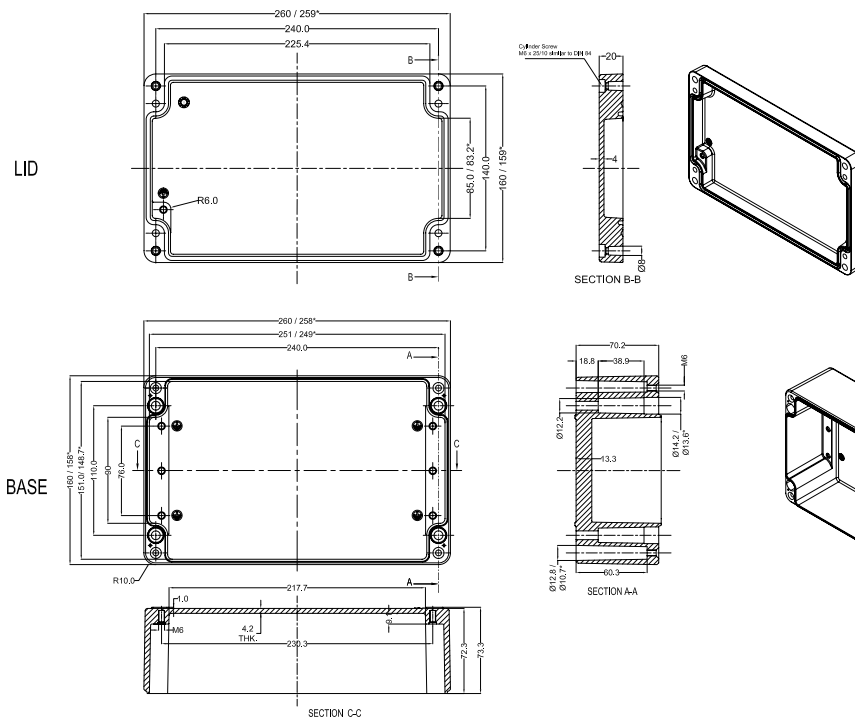
## MP007232 & MP007293 - 220mm x 120mm x 90mm



Optional Accessories		
Part Name	Qty.	Availability
Mounting Plate	1	Y
External Hinge	2	Y
Internal Hinge	-	N
Mounting Brackets	4	Y
Neoprene/Silicon Gasket	1	Y
Din Rail TS15	-	N
Din Rail TS35	1	Y

\* = Conical form tapering downward.  
 Untoleranced dimensions per GTA 13/5 DIN 1688

## MP007233 & MP007294 - 260mm x 160mm x 90mm



Optional Accessories		
Part Name	Qty.	Availability
Mounting Plate	1	Y
External Hinge	2	Y
Internal Hinge	2	Y
Mounting Brackets	4	Y
Neoprene/Silicon Gasket	1	Y
Din Rail TS15	-	N
Din Rail TS35	1	Y

\* = Conical form tapering downward.  
 Untoleranced dimensions per GTA 13/5 DIN 1688

Dimensions : Millimetres

Newark.com/multicomp-pro  
 Farnell.com/multicomp-pro  
 sg.element14.com/b/multicomp-pro

**multicomp** PRO

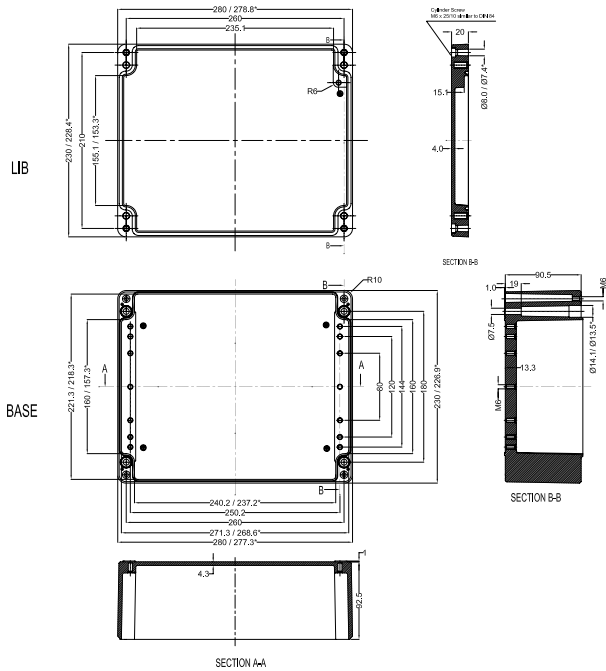




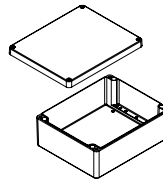
# Aluminium Enclosures with Neoprene Seal

**multicomp** PRO

## MP007236 & MP007297 - 280mm x 230mm x 110mm

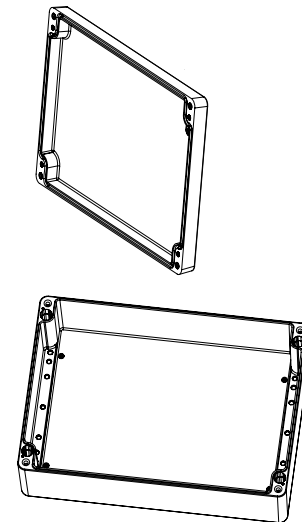
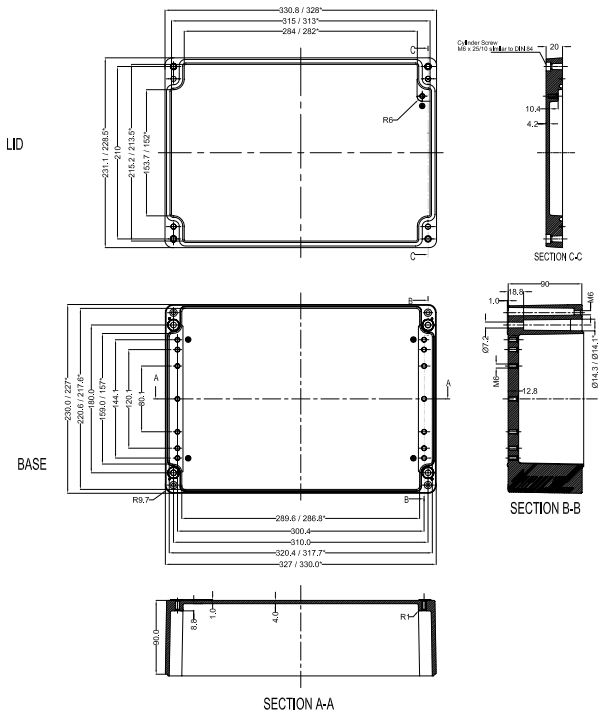


Accessories				
PCN	Part Name	Drawing No.	Qty.	Availability
DAA4100123	Mounting Plate	MP-280230110	1	Y
DAA4100264	External Hinge RAL7001	EH-01-06	2	Y
DAA4100263	Internal Hinge	Internal Hinge	2	Y
DAA4100424	Mounting Brackets	Mounting Brackets	4	Y
-	Neoprene/ Silicon Gasket	JB-GSK-01 / JB-GSK-02	1	Y
-	Din Rail TS15	-	-	N
DAA4100321	Din Rail TS35	DIN RAIL TS35/7.5	1	Y



\* = Conical form tapering downward.  
 Untoleranced dimensions per GTA 13/5 DIN 1688

## MP007237 & MP007298 - 330mm x 230mm x 110mm



Optional Accessories		
Part Name	Qty.	Availability
Mounting Plate	1	Y
External Hinge	2	Y
Internal Hinge	2	Y
Mounting Brackets	4	Y
Neoprene/Silicon Gasket	1	Y
Din Rail TS15	-	N
Din Rail TS35	1	Y

\* = Conical form tapering downward.  
 Untoleranced dimensions per GTA 13/5 DIN 1688

Dimensions : Millimetres

Newark.com/multicomp-pro  
 Farnell.com/multicomp-pro  
 sg.element14.com/b/multicomp-pro

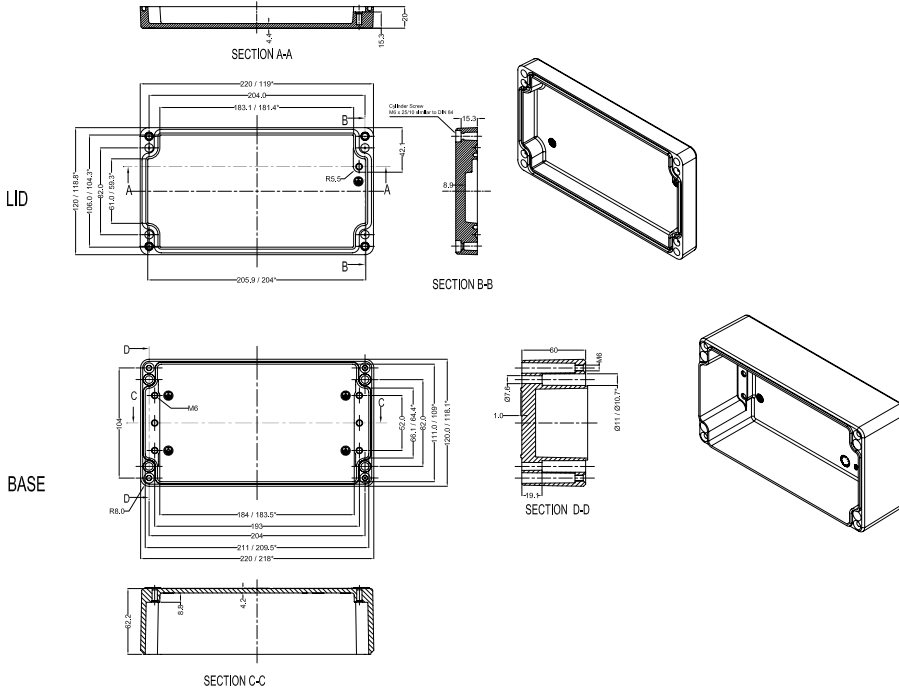
**multicomp** PRO



# Aluminium Enclosures with Neoprene Seal

**multicomp** PRO

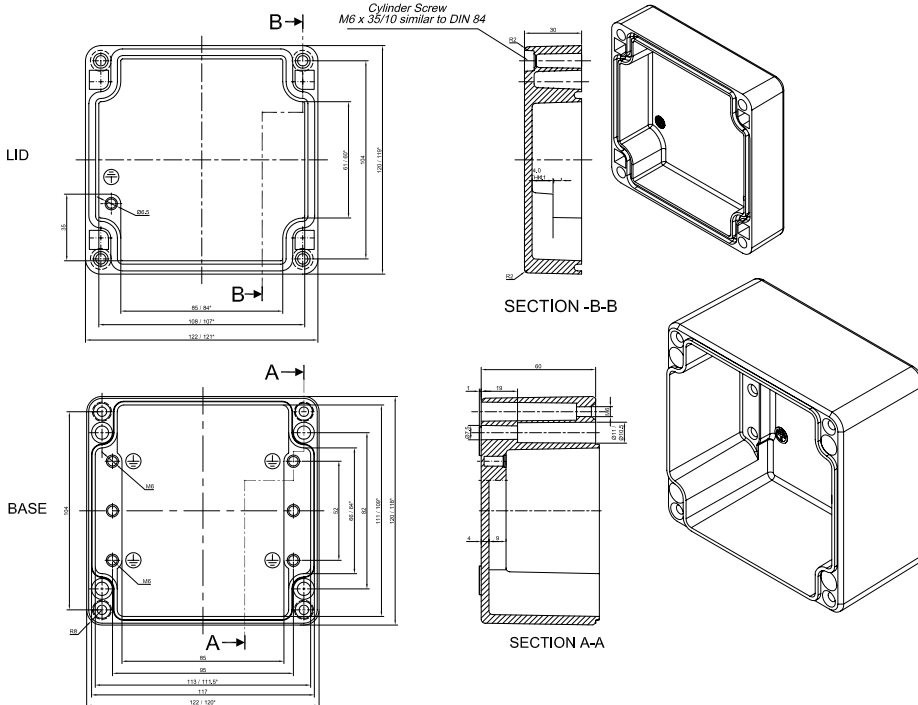
## MP007240 & MP007301 - 220mm x 120mm x 81mm



Optional Accessories		
Part Name	Qty.	Availability
Mounting Plate	1	Y
External Hinge	2	Y
Internal Hinge	-	N
Mounting Brackets	4	Y
Neoprene/Silicon Gasket	1	Y
Din Rail TS15	-	N
Din Rail TS35	1	Y

\* = Conical form tapering downward.  
 Untoleranced dimensions per GTA 13/5 DIN 1688

## MP007241 & MP007302 - 122mm x 120mm x 91mm



Optional Accessories		
Part Name	Qty.	Availability
Mounting Plate	1	Y
External Hinge	2	Y
Internal Hinge	-	N
Mounting Brackets	4	Y
Neoprene/Silicon Gasket	1	Y
Din Rail TS15	-	N
Din Rail TS35	1	Y

\* = Conical form tapering downward.  
 Untoleranced dimensions per GTA 13/5 DIN 1688

Dimensions : Millimetres

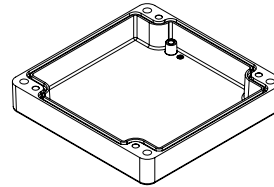
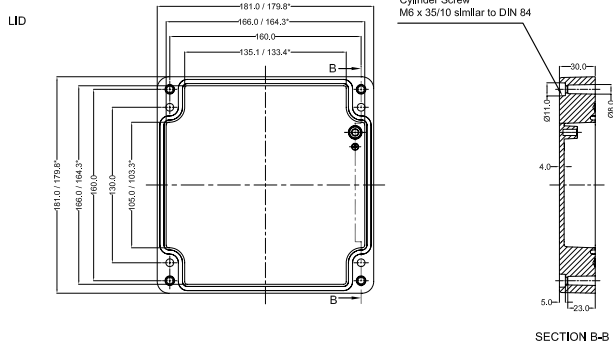
Newark.com/multicomp-pro  
 Farnell.com/multicomp-pro  
 sg.element14.com/b/multicomp-pro

**multicomp** PRO

# Aluminium Enclosures with Neoprene Seal

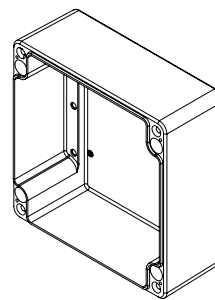
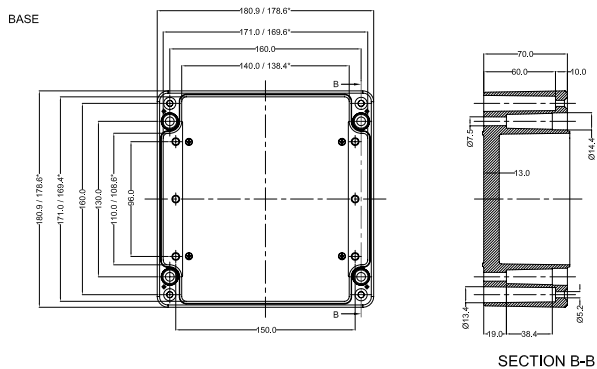
**multicomp** PRO

## MP007242 & MP007303 - 180mm × 180mm × 100mm

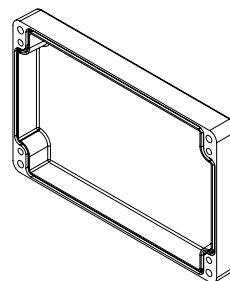
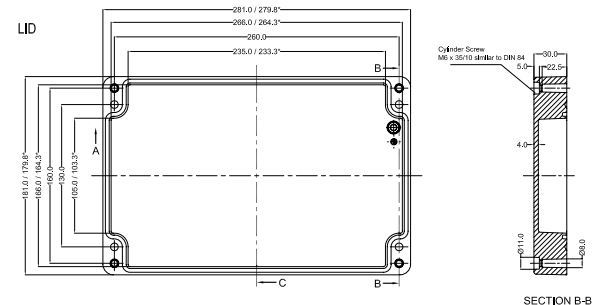


Optional Accessories		
Part Name	Qty.	Availability
Mounting Plate	1	Y
External Hinge	2	Y
Internal Hinge	2	Y
Mounting Brackets	4	Y
Neoprene/Silicon Gasket	1	Y
Din Rail TS15	-	N
Din Rail TS35	1	Y

\* = Conical form tapering downward.  
Untoleranced dimensions per GTA 13/5 DIN 1688

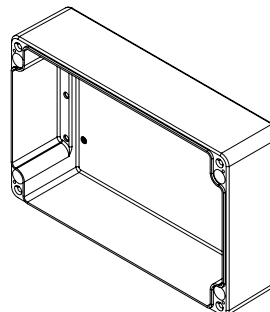
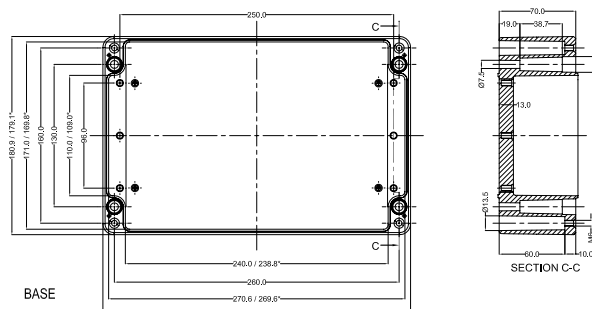


## MP007243 & MP007304 - 280mm × 180mm × 100mm



Optional Accessories		
Part Name	Qty.	Availability
Mounting Plate	1	Y
External Hinge	2	Y
Internal Hinge	2	Y
Mounting Brackets	4	Y
Neoprene/Silicon Gasket	1	Y
Din Rail TS15	-	N
Din Rail TS35	1	Y

\* = Conical form tapering downward.  
Untoleranced dimensions per GTA 13/5 DIN 1688



Dimensions : Millimetres

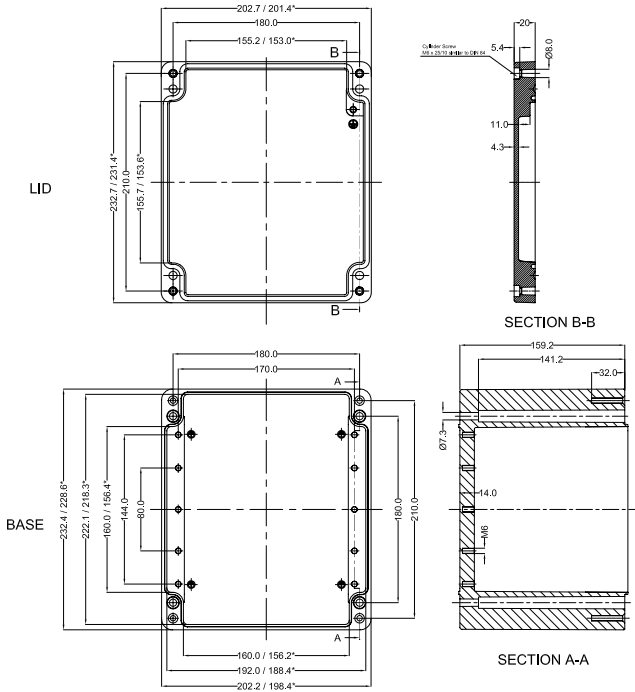
Newark.com/multicomp-pro  
Farnell.com/multicomp-pro  
sg.element14.com/b/multicomp-pro

**multicomp** PRO

# Aluminium Enclosures with Neoprene Seal

**multicomp** PRO

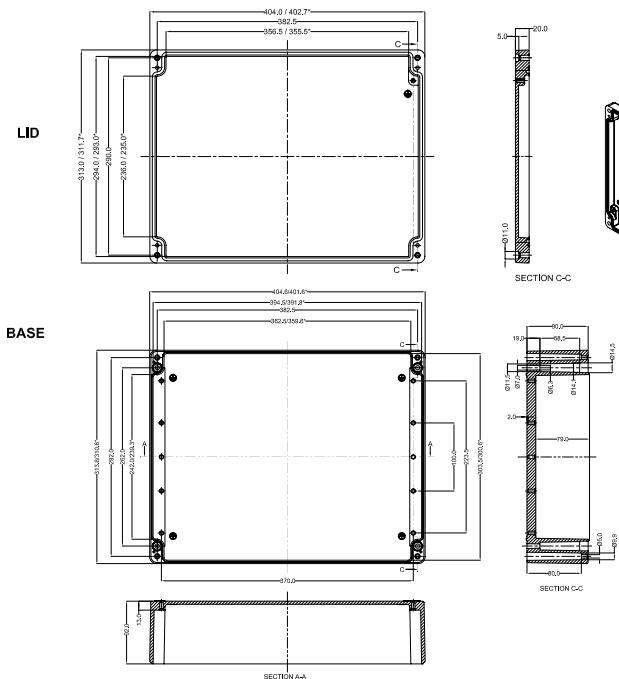
## MP007244 & MP007305 - 230mm x 200mm x 180mm



Optional Accessories		
Part Name	Qty.	Availability
Mounting Plate	1	Y
External Hinge	2	Y
Internal Hinge	2	Y
Mounting Brackets	4	Y
Neoprene/Silicon Gasket	1	Y
Din Rail TS15	-	N
Din Rail TS35	1	Y

\* = Conical form tapering downward.  
 Untoleranced dimensions per GTA 13/5 DIN 1688

## MP007245 & MP007306 - 400mm x 310mm x 110mm



Optional Accessories		
Part Name	Qty.	Availability
Mounting Plate	1	Y
External Hinge	2	Y
Internal Hinge	2	Y
Mounting Brackets	4	Y
Neoprene/Silicon Gasket	1	Y
Din Rail TS15	-	N
Din Rail TS35	1	Y

\* = Conical form tapering downward.  
 Untoleranced dimensions per GTA 13/5 DIN 1688

Dimensions : Millimetres

Newark.com/multicomp-pro  
 Farnell.com/multicomp-pro  
 sg.element14.com/b/multicomp-pro

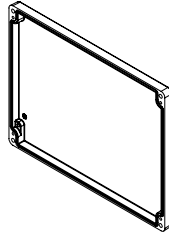
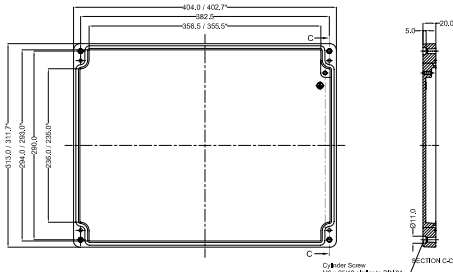
**multicomp** PRO

# Aluminium Enclosures with Neoprene Seal

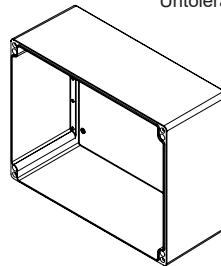
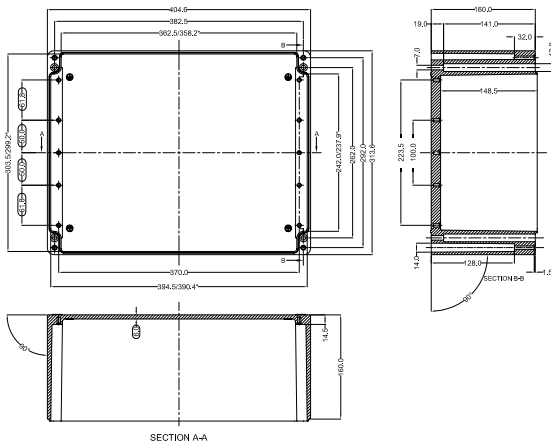
**multicomp** PRO

## MP007246 & MP007307 - 400mm x 310mm x 180mm

LID



BASE

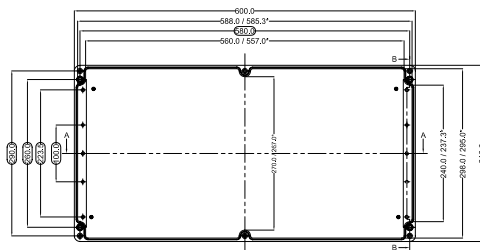
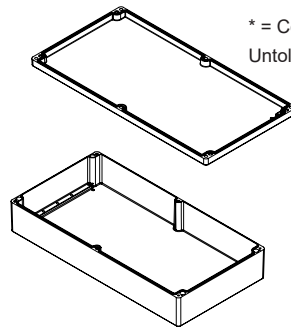
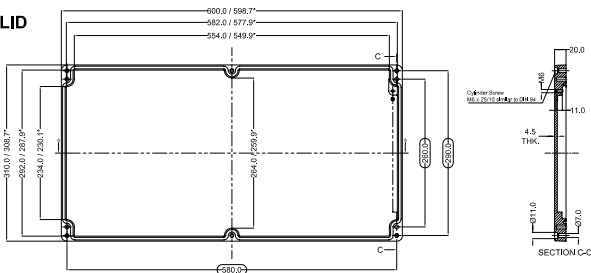


Optional Accessories		
Part Name	Qty.	Availability
Mounting Plate	1	Y
External Hinge	2	Y
Internal Hinge	2	Y
Mounting Brackets	4	Y
Neoprene/Silicon Gasket	1	Y
Din Rail TS15	-	N
Din Rail TS35	1	Y

\* = Conical form tapering downward.  
Untoleranced dimensions per GTA 13/5 DIN 1688

## MP007247 & MP007308 - 600mm x 310mm x 110mm

LID



Optional Accessories		
Part Name	Qty.	Availability
Mounting Plate	1	Y
External Hinge	2	Y
Internal Hinge	2	Y
Mounting Brackets	4	Y
Neoprene/Silicon Gasket	1	Y
Din Rail TS15	-	N
Din Rail TS35	1	Y

\* = Conical form tapering downward.  
Untoleranced dimensions per GTA 13/5 DIN 1688

BASE

Dimensions : Millimetres

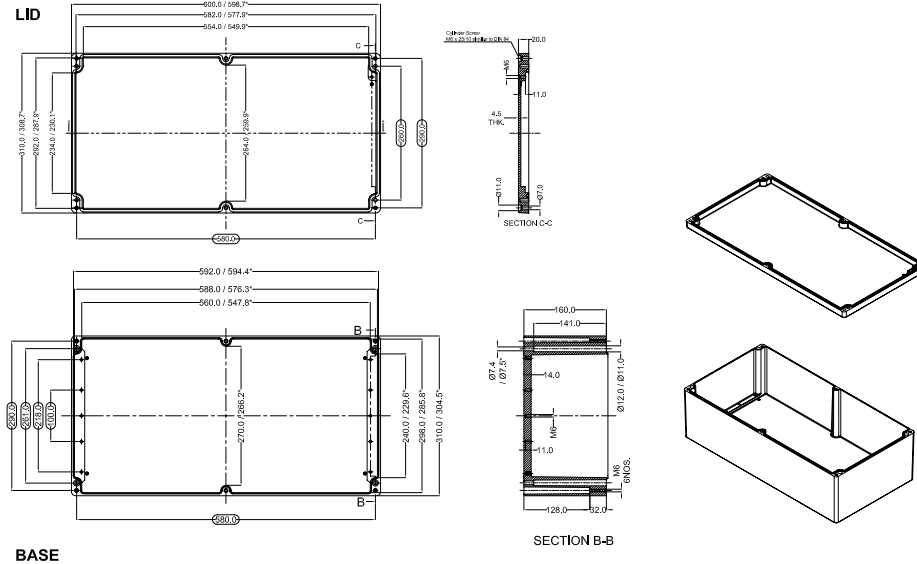
Newark.com/multicomp-pro  
Farnell.com/multicomp-pro  
sg.element14.com/b/multicomp-pro

**multicomp** PRO

# Aluminium Enclosures with Neoprene Seal

**multicomp** PRO

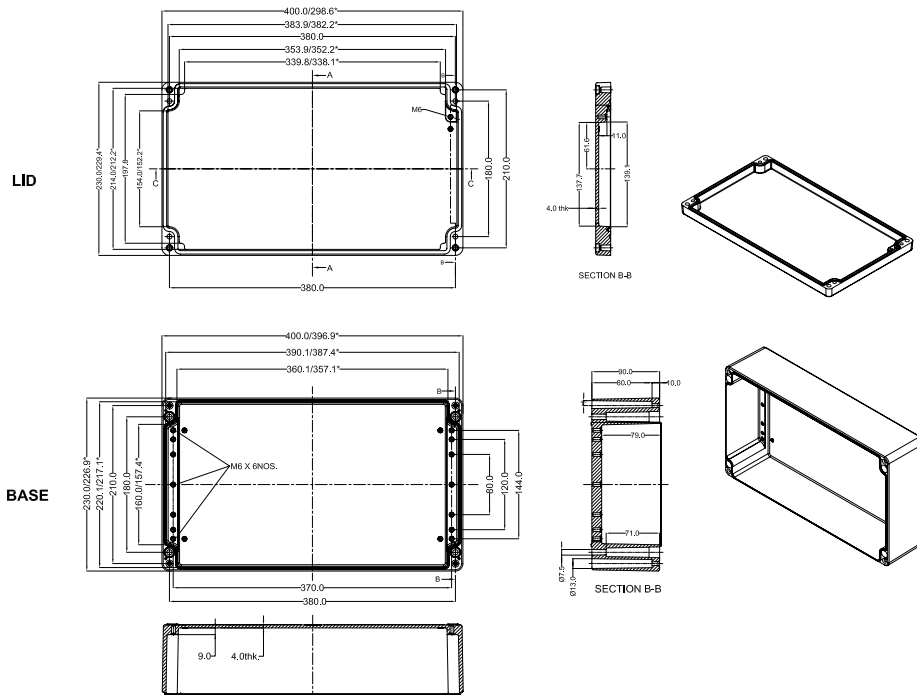
## MP007248 & MP007309 - 600mm x 310mm x 180mm



Optional Accessories		
Part Name	Qty.	Availability
Mounting Plate	1	Y
External Hinge	2	Y
Internal Hinge	2	Y
Mounting Brackets	4	Y
Neoprene/Silicon Gasket	1	Y
Din Rail TS15	-	N
Din Rail TS35	1	Y

\* = Conical form tapering downward.  
 Untoleranced dimensions per GTA 13/5 DIN 1688

## MP007249 & MP007310 - 400mm x 230mm x 110mm



Optional Accessories		
Part Name	Qty.	Availability
Mounting Plate	1	Y
External Hinge	2	Y
Internal Hinge	2	Y
Mounting Brackets	4	Y
Neoprene/Silicon Gasket	1	Y
Din Rail TS15	-	N
Din Rail TS35	1	Y

\* = Conical form tapering downward.  
 Untoleranced dimensions per GTA 13/5 DIN 1688

Dimensions : Millimetres

Newark.com/multicomp-pro  
 Farnell.com/multicomp-pro  
 sg.element14.com/b/multicomp-pro

**multicomp** PRO





# Aluminium Enclosures with Neoprene Seal

**multicomp** PRO

Part Number		External Dimensions (mm)			External Dimensions (inches)			Accessories (Y -> YES)							
		Length	Width	Height	Length	Width	Height	Mounting Plate	External Brackets		External Hinges	Internal Hinge		DIN rail	
Grey	Unpainted								M4	M6		Internal Rope Wire	Internal Metallic	TS15	TS35
MP007221	MP007282	50	45	30	1.97	1.77	1.18	Y	Y	-	-	-	-	-	-
MP007222	MP007283	98	64	34	3.86	2.52	1.34	Y	Y	-	-	-	-	-	-
MP007223	MP007284	150	64	34	5.91	2.52	1.34	Y	Y	-	-	-	-	-	-
MP007224	MP007285	58	64	34	2.28	2.52	1.34	Y	Y	-	-	-	-	-	-
MP007225	MP007286	75	80	57	2.95	3.15	2.24	Y	Y	-	-	Y	-	Y	-
MP007226	MP007287	125	80	57	4.92	3.15	2.24	Y	Y	-	-	Y	-	Y	-
MP007227	MP007288	175	80	57	6.89	3.15	2.24	Y	Y	-	-	Y	-	Y	-
MP007228	MP007289	250	80	57	9.84	3.15	2.24	Y	Y	-	-	Y	-	Y	-
MP007229	MP007290	100	100	81	3.94	3.94	3.19	Y	-	Y	Y	Y	-	Y	-
MP007230	MP007291	160	100	81	6.3	3.94	3.19	Y	-	Y	Y	Y	-	Y	-
MP007231	MP007292	122	120	81	4.8	4.72	3.19	Y	-	Y	Y	Y	-	-	Y
MP007232	MP007293	220	120	90	8.66	4.72	3.58	Y	-	Y	Y	Y	-	-	Y
MP007233	MP007294	260	160	90	10.24	6.3	3.54	Y	-	Y	Y	Y	Y	-	Y
MP007234	MP007295	360	160	90	14.17	6.3	3.54	Y	-	Y	Y	Y	Y	-	Y
MP007235	MP007296	160	160	91	6.3	6.3	3.54	Y	-	Y	Y	Y	Y	-	Y
MP007236	MP007297	280	230	110	11.02	9.06	4.33	Y	-	Y	Y	Y	Y	-	Y
MP007237	MP007298	330	230	110	12.99	9.06	4.33	Y	-	Y	Y	Y	Y	-	Y
MP007238	MP007299	230	200	110	9.06	7.87	4.33	Y	-	Y	Y	Y	Y	-	Y
MP007239	MP007300	330	230	180	12.99	9.06	7.09	Y	-	Y	Y	Y	Y	-	Y
MP007240	MP007301	220	120	81	8.66	4.72	3.19	Y	-	Y	Y	Y	-	-	Y
MP007241	MP007302	122	120	91	4.8	4.72	3.58	Y	-	Y	Y	Y	-	-	Y
MP007242	MP007303	180	180	100	7.09	7.09	3.94	Y	-	Y	Y	Y	Y	-	Y
MP007243	MP007304	280	180	100	11.02	7.09	3.94	Y	-	Y	Y	Y	Y	-	Y
MP007244	MP007305	230	200	180	9.06	7.87	7.09	Y	-	Y	Y	Y	Y	-	Y
MP007245	MP007306	400	310	110	15.75	12.2	4.33	Y	-	Y	Y	Y	Y	-	Y
MP007246	MP007307	400	310	180	15.75	12.2	7.09	Y	-	Y	Y	Y	Y	-	Y
MP007247	MP007308	600	310	110	23.62	12.2	4.33	Y	-	Y	Y	Y	Y	-	Y
MP007248	MP007309	600	310	180	23.62	12.2	7.09	Y	-	Y	Y	Y	Y	-	Y
MP007249	MP007310	400	230	110	15.75	9.06	4.33	Y	-	Y	Y	Y	Y	-	Y
MP007250	MP007311	140	140	90	5.51	5.51	3.58	Y	-	Y	Y	Y	-	-	Y
MP007251	MP007312	200	140	90	7.87	5.51	3.54	Y	-	Y	Y	Y	-	-	Y

# Aluminium Enclosures with Neoprene Seal

**multicomp** PRO

**Part Number Table**

Description	Part Number
Aluminum Enclosure with Neoprene Seal, Grey, IP66, 50mm × 45mm × 30mm	MP007221
Aluminum Enclosure with Neoprene Seal, Grey, IP66, 98mm × 64mm × 34mm	MP007222
Aluminum Enclosure with Neoprene Seal, Grey, IP66, 150mm × 64mm × 34mm	MP007223
Aluminum Enclosure with Neoprene Seal, Grey, IP66, 58mm × 64mm × 34mm	MP007224
Aluminum Enclosure with Neoprene Seal, Grey, IP66, 75mm × 80mm × 57mm	MP007225
Aluminum Enclosure with Neoprene Seal, Grey, IP66, 125mm × 80mm × 57mm	MP007226
Aluminum Enclosure with Neoprene Seal, Grey, IP66, 175mm × 80mm × 57mm	MP007227
Aluminum Enclosure with Neoprene Seal, Grey, IP66, 250mm × 80mm × 57mm	MP007228
Aluminum Enclosure with Neoprene Seal, Grey, IP66, 100mm × 100mm × 81mm	MP007229
Aluminum Enclosure with Neoprene Seal, Grey, IP66, 160mm × 100mm × 81mm	MP007230
Aluminum Enclosure with Neoprene Seal, Grey, IP66, 122mm × 120mm × 81mm	MP007231
Aluminum Enclosure with Neoprene Seal, Grey, IP66, 220mm × 120mm × 90mm	MP007232
Aluminum Enclosure with Neoprene Seal, Grey, IP66, 260mm × 160mm × 90mm	MP007233
Aluminum Enclosure with Neoprene Seal, Grey, IP66, 360mm × 160mm × 90mm	MP007234
Aluminum Enclosure with Neoprene Seal, Grey, IP66, 160mm × 160mm × 91mm	MP007235
Aluminum Enclosure with Neoprene Seal, Grey, IP66, 280mm × 230mm × 110mm	MP007236
Aluminum Enclosure with Neoprene Seal, Grey, IP66, 330mm × 230mm × 110mm	MP007237
Aluminum Enclosure with Neoprene Seal, Grey, IP66, 230mm × 200mm × 110mm	MP007238
Aluminum Enclosure with Neoprene Seal, Grey, IP66, 330mm × 230mm × 180mm	MP007239
Aluminum Enclosure with Neoprene Seal, Grey, IP66, 220mm × 120mm × 81mm	MP007240
Aluminum Enclosure with Neoprene Seal, Grey, IP66, 122mm × 120mm × 91mm	MP007241
Aluminum Enclosure with Neoprene Seal, Grey, IP66, 180mm × 180mm × 100mm	MP007242
Aluminum Enclosure with Neoprene Seal, Grey, IP66, 280mm × 180mm × 100mm	MP007243
Aluminum Enclosure with Neoprene Seal, Grey, IP66, 230mm × 200mm × 180mm	MP007244
Aluminum Enclosure with Neoprene Seal, Grey, IP66, 400mm × 310mm × 110mm	MP007245
Aluminum Enclosure with Neoprene Seal, Grey, IP66, 400mm × 310mm × 180mm	MP007246
Aluminum Enclosure with Neoprene Seal, Grey, IP66, 600mm × 310mm × 110mm	MP007247
Aluminum Enclosure with Neoprene Seal, Grey, IP66, 600mm × 310mm × 180mm	MP007248
Aluminum Enclosure with Neoprene Seal, Grey, IP66, 400mm × 230mm × 110mm	MP007249
Aluminum Enclosure with Neoprene Seal, Grey, IP66, 140mm × 140mm × 90mm	MP007250
Aluminum Enclosure with Neoprene Seal, Grey, IP66, 200mm × 140mm × 90mm	MP007251
Aluminum Enclosure with Neoprene Seal, Unpainted, IP66, 50mm × 45mm × 30mm	MP007282
Aluminum Enclosure with Neoprene Seal, Unpainted, IP66, 98mm × 64mm × 34mm	MP007283
Aluminum Enclosure with Neoprene Seal, Unpainted, IP66, 150mm × 64mm × 34mm	MP007284
Aluminum Enclosure with Neoprene Seal, Unpainted, IP66, 58mm × 64mm × 34mm	MP007285
Aluminum Enclosure with Neoprene Seal, Unpainted, IP66, 75mm × 80mm × 57mm	MP007286
Aluminum Enclosure with Neoprene Seal, Unpainted, IP66, 125mm × 80mm × 57mm	MP007287
Aluminum Enclosure with Neoprene Seal, Unpainted, IP66, 175mm × 80mm × 57mm	MP007288

# Aluminium Enclosures with Neoprene Seal

**multicomp** PRO

Description	Part Number
Aluminum Enclosure with Neoprene Seal, Unpainted, IP66, 250mm × 80mm × 57mm	MP007289
Aluminum Enclosure with Neoprene Seal, Unpainted, IP66, 100mm × 100mm × 81mm	MP007290
Aluminum Enclosure with Neoprene Seal, Unpainted, IP66, 160mm × 100mm × 81mm	MP007291
Aluminum Enclosure with Neoprene Seal, Unpainted, IP66, 122mm × 120mm × 81mm	MP007292
Aluminum Enclosure with Neoprene Seal, Unpainted, IP66, 220mm × 120mm × 90mm	MP007293
Aluminum Enclosure with Neoprene Seal, Unpainted, IP66, 260mm × 160mm × 90mm	MP007294
Aluminum Enclosure with Neoprene Seal, Unpainted, IP66, 360mm × 160mm × 90mm	MP007295
Aluminum Enclosure with Neoprene Seal, Unpainted, IP66, 160mm × 160mm × 91mm	MP007296
Aluminum Enclosure with Neoprene Seal, Unpainted, IP66, 280mm × 230mm × 110mm	MP007297
Aluminum Enclosure with Neoprene Seal, Unpainted, IP66, 330mm × 230mm × 110mm	MP007298
Aluminum Enclosure with Neoprene Seal, Unpainted, IP66, 230mm × 200mm × 110mm	MP007299
Aluminum Enclosure with Neoprene Seal, Unpainted, IP66, 330mm × 230mm × 180mm	MP007300
Aluminum Enclosure with Neoprene Seal, Unpainted, IP66, 220mm × 120mm × 81mm	MP007301
Aluminum Enclosure with Neoprene Seal, Unpainted, IP66, 122mm × 120mm × 91mm	MP007302
Aluminum Enclosure with Neoprene Seal, Unpainted, IP66, 180mm × 180mm × 100mm	MP007303
Aluminum Enclosure with Neoprene Seal, Unpainted, IP66, 280mm × 180mm × 100mm	MP007304
Aluminum Enclosure with Neoprene Seal, Unpainted, IP66, 230mm × 200mm × 180mm	MP007305
Aluminum Enclosure with Neoprene Seal, Unpainted, IP66, 400mm × 310mm × 110mm	MP007306
Aluminum Enclosure with Neoprene Seal, Unpainted, IP66, 400mm × 310mm × 180mm	MP007307
Aluminum Enclosure with Neoprene Seal, Unpainted, IP66, 600mm × 310mm × 110mm	MP007308
Aluminum Enclosure with Neoprene Seal, Unpainted, IP66, 600mm × 310mm × 180mm	MP007309
Aluminum Enclosure with Neoprene Seal, Unpainted, IP66, 400mm × 230mm × 110mm	MP007310
Aluminum Enclosure with Neoprene Seal, Unpainted, IP66, 140mm × 140mm × 90mm	MP007311
Aluminum Enclosure with Neoprene Seal, Unpainted, IP66, 200mm × 140mm × 90mm	MP007312

**Important Notice :** This data sheet and its contents (the "Information") belong to the members of the AVNET group of companies (the "Group") or are licensed to it. No licence is granted for the use of it other than for information purposes in connection with the products to which it relates. No licence of any intellectual property rights is granted. The Information is subject to change without notice and replaces all data sheets previously supplied. The Information supplied is believed to be accurate but the Group assumes no responsibility for its accuracy or completeness, any error in or omission from it or for any use made of it. Users of this data sheet should check for themselves the Information and the suitability of the products for their purpose and not make any assumptions based on information included or omitted. Liability for loss or damage resulting from any reliance on the Information or use of it (including liability resulting from negligence or where the Group was aware of the possibility of such loss or damage arising) is excluded. This will not operate to limit or restrict the Group's liability for death or personal injury resulting from its negligence. Multicomp Pro is the registered trademark of Premier Farnell Limited 2019.

Newark.com/multicomp-pro  
Farnell.com/multicomp-pro  
sg.element14.com/b/multicomp-pro

**multicomp** PRO