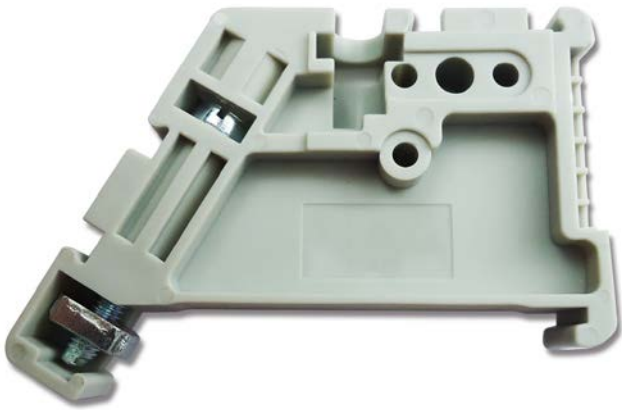


Product Datasheet

# Screw End Bracket 2.5/4/6/10mm sq.mm

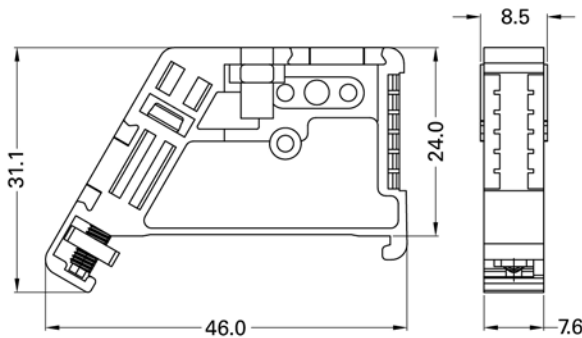
End Bracket provides a secure mechanical stop on the rail for 2.5/4/6/10mm sq.mm terminal blocks

878-7556



**RoHS**  
Compliant

Dimensions in mm



|                            |                             |
|----------------------------|-----------------------------|
| Clamping Screw ( M )       | M3                          |
| Torque ( in -lbs )         | 4.35 ~ 6                    |
| Mounting Rail              | TS35x7.5 / TS35x15          |
| Material / Available Color | ●<br>PA66 UL94V-0 ( Beige ) |
| Operating Temperature      | -40°C ~ 105°C               |
| Net weight per piece       | 5.6 g                       |

**Technical Date:**