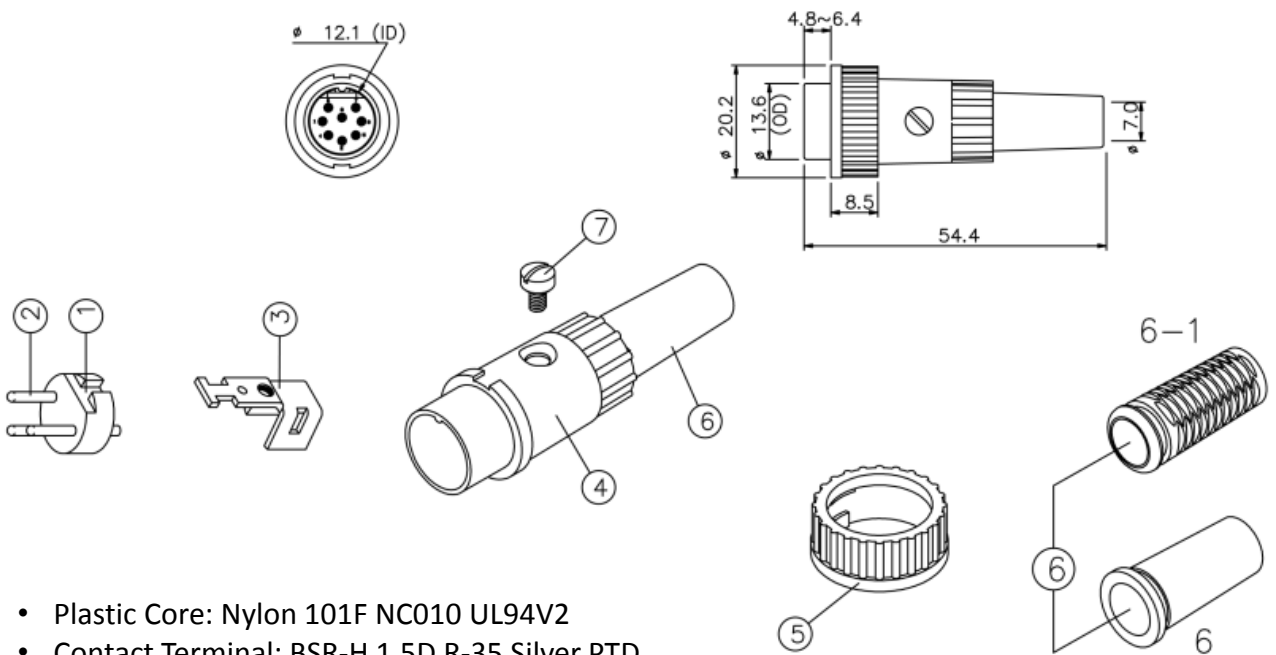


Datasheet

5 Pole Male Right Angle DIN Connector

RS Stock number [786-3451](#)

Dimensions: (mm)



- Plastic Core: Nylon 101F NC010 UL94V2
- Contact Terminal: BSR-H 1.5D R-35 Silver PTD
- Cover: Diecast Nickel
- Body: Diecast Nickel
- Clip Ring: BSR-H 0.8t Nickel
- Plastic Trail: PVC
- Screw (M3X0.5, L=10.1): 2AAR1050 Nickel
- Contact Resistance: 20mΩ Max.
- Dielectric Strength: 1000V AC / 1 Minute
- Insulation Resistance: 100MΩ Min. at 500V DC
- Rating: 100V AC 2A

Characteristics

- Solder Type
- Metal Screw
- Right Angle
- Assembly
- 3~8 Pin