

Datasheet

ENGLISH

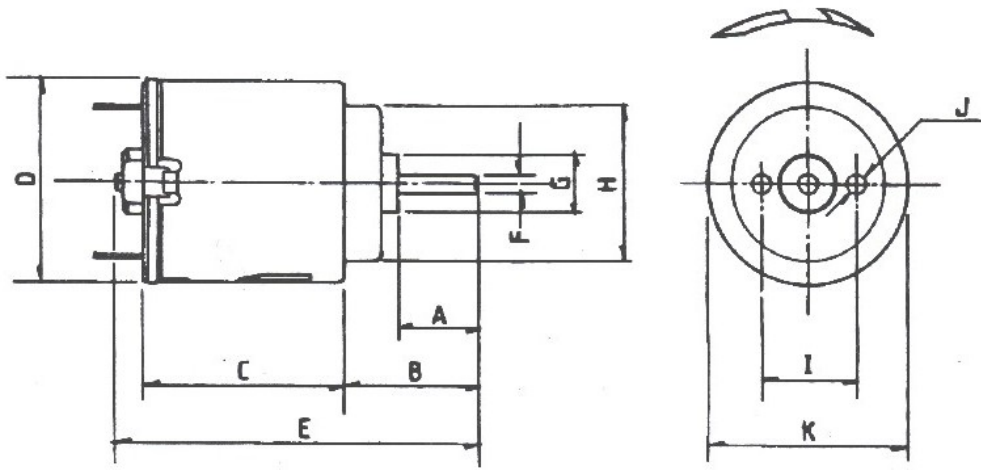
RS PRO DC Motor, 2.51 W, 1.5 - 3 V dc, 13 gcm, 6250 12200 rpm, 2mm Shaft Diameter

Stock No: 238-9692



Specifications:

Supply Voltage	1.5 - 3V
Power Rating	2.51 W
Output Speed	6250 – 12200 rpm
Shaft Diameter	2mm
Maximum Output Torque	13 gcm
Length	21mm
Dimensions	21 (Dia.) x 21mm
Current Rating	1.04 A
Weight	20g



Dimensions	A	B	C	D	E	F	G	H	I	J	K
mm	8.3	14	21	21	38	2	6.15	16	10	2	20.15

Stall Current RE-140 at 1.5v = 1.6A RE-140 at 3v 3.0A