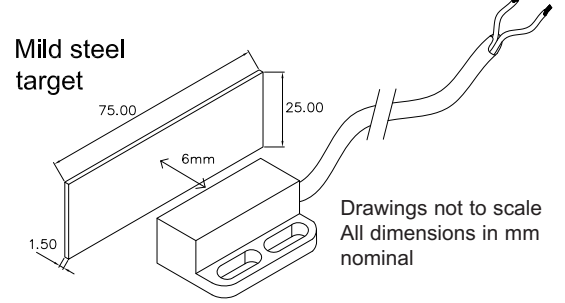
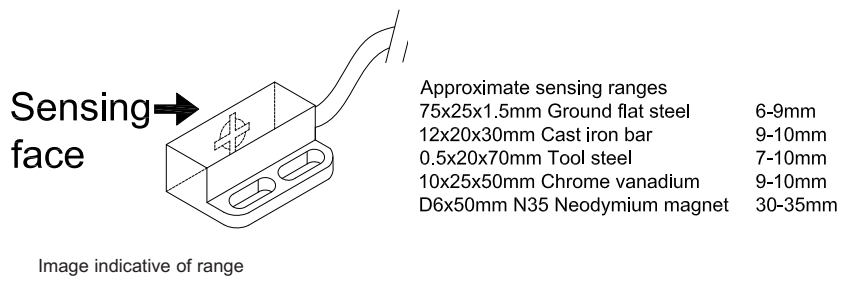
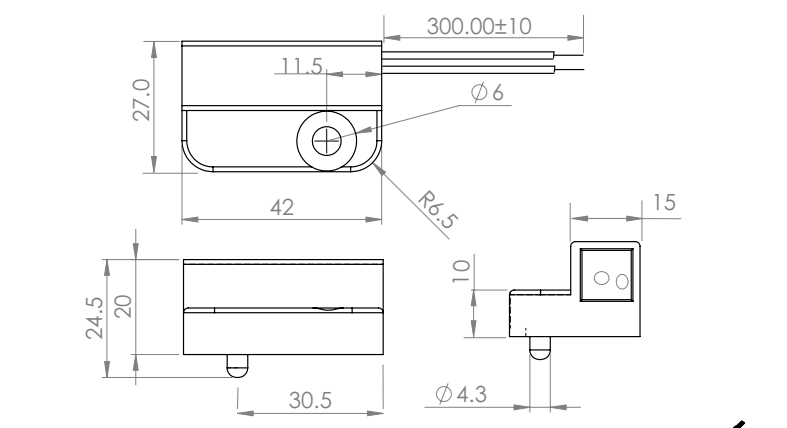


PICTURE	DIMENSIONS
---------	------------



SPECIFICATION		
---------------	--	--

Contact Form / Style	Normally Open, closes in presence of ferrous metal	
Activation distance	mm	6 (may vary depending on iron content)
Switching Voltage	Max Volts AC/DC	140 / 200
Switching Current	Max Amps	0.5
Switching Power	Max Watts	10
Carry Current	Max Amps	2.75
Breakdown Voltage	Min Volts DC	225
Contact Resistance	Max mOhms	100
Operating Frequency	Max Hz	100
Operating Temperature	Celsius	- 40° to 85°
Case Material	ABS Plastic	
Cable	2 x 20 AWG 105°C Black	

Applications Include	Options
<ul style="list-style-type: none"> <li>Gate closed detection.</li> <li>Robotics sensing.</li> <li>Automated production lines.</li> <li>Safety guards.</li> </ul>	<ul style="list-style-type: none"> <li>Top or side sensing directions</li> <li>Base sensing option (non pin type)</li> </ul>

**Did you know we also sell?**

 Float Switches	 Pressure Switches	 Magnets	 Proximity Switches	 Reed Switches	 Reed Relays	 Solid State Relays
---	--	--	---	--	--	---

- Custom cable types, cable lengths, connectors or crimp terminals available.
- If you do not see what you need, just ask, as there is a strong possibility we can do it !

Rev. No.	Revision Note	Date	Signature
1	Datasheet	17-12-15	ML



As part of the company policy of continued product improvement, specifications may change without notice. Our sales office will be pleased to help you with the latest information on this product range and the details of our full design and manufacturing service. All products are supplied to our standard conditions of sale unless otherwise agreed in writing.

**Phone : +44 (0)1255 862236      www.comus-intl.com      Fax: +44 (0)1255 862014**