



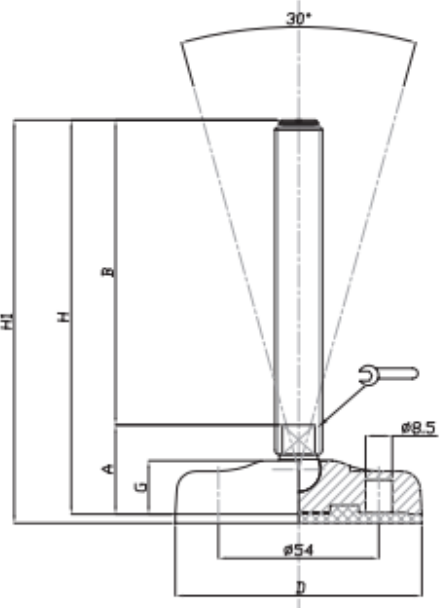
ENGLISH

Stainless Steel Plastic Adjustable Levelling Feet

The RS Pro Height Adjustable mounts are used for levelling and support in many applications including food processing units, packing systems and conveyor systems.

The Plastic Foot base is made from a black polyamide material, reinforced by fiber glass, along with the Stainless Steel thread these are often used in food safe and cleanroom applications.

These mounts have 30 degree articulation capabilities.



Item Code	Description	A (mm)	B (mm)	D (mm)	F (mm)	G (mm)	H (mm)	H1 (mm)	Static Load (kg)
1854506	Plastic Foot 30 Degree Articulation with Stainless Steel Thread 304	30	150	83	M12	18	180	183	1300
1854510	Plastic Foot 30 Degree Articulation with Stainless Steel Thread 304	30	150	83	M16	18	180	183	1600

1854512	Plastic Foot 30 Degree Articulation with Stainless Steel Thread 304	30	200	83	M16	18	230	233	1600
1854514	Plastic Foot 30 Degree Articulation with Stainless Steel Thread 304	32	150	103	M20	20	184	187	2000
1854518	Plastic Foot 30 Degree Articulation with Stainless Steel Thread 304	32	200	103	M20	20	234	237	2000
1854519	Plastic Foot 30 Degree Articulation with Stainless Steel Thread 304	32	200	103	M24	20	234	237	2500