

Enclosed 3P + Switched Neutral Fused Switch

multicomp PRO



MCFS323PSNME



MCFS633PSNME
MCFS803PSNME
MCFS1003PSNME

	Load Break Switch	Fuse Holder
Certification/ Approvals	CB, CE & SEMKO	CE, TUV
Standards	IEC & EN 60947-3	EN60269-1/HD60269-2

Switch Specifications

DATA		Range	32A	63A / 80A	100A	Units
Rated operational voltage Ue						
IEC & EN		Volts	690	690	690	V
Rated impulse withstand voltage Uimp		Volts	6	6	6	kV
Rated uninterrupted current Iu		Amps	32	80	100	A
Rated operational current Ie						
IEC & EN	AC-22A	Up to 690V	32	80	100	A
	AC-21A	Up to 690V	40	80	100	A
	AC-1	Up to 690V	40	80	100	A
Rated operational power AC-23A (50-60Hz)						
IEC & EN	3 Phase	230 (240V)	15	37	45	kW
		400 (415)	18.5	45	55	kW
		690V	22	90	90	kW
Rated operational power AC-3 (50-60Hz)						
IEC & EN	3 Phase	230 (240V)	11	30	37	kW
		400 (415)	11	37	45	kW
		690V	15	55	55	kW
Short Circuit Capacity (IEC)						
Max fuse size (Type gl)		Amps	32	80	100	A
Rated Fused short circuit current		Amps	30	30	30	kA
Terminal Specification						
Single/ Multiple strand wire	-	2.5	2.5	2.5	Min-mm ²	
	-	10	35	35	Max-mm ²	
Fine strand with sleeve	-	0.75	4	4	Min-mm ²	
	-	6	35	35	Max-mm ²	
Recommended Tightening Torque		-	1.7	2.5	2.5	Nm

Newark.com/multicomp-pro
Farnell.com/multicomp-pro
sg.element14.com/b/multicomp-pro

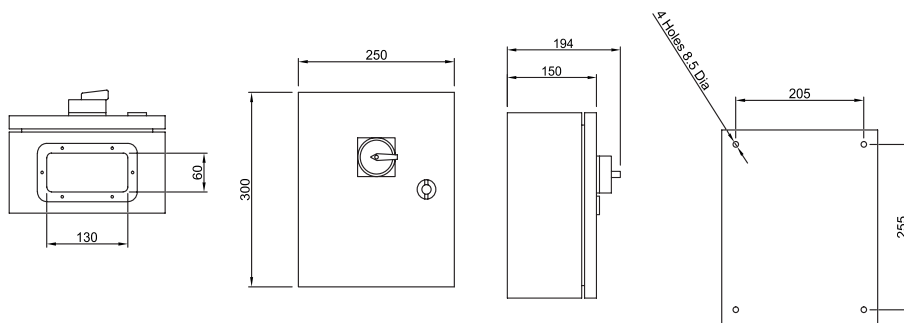
multicomp PRO

Enclosed 3P + Switched Neutral Fused Switch

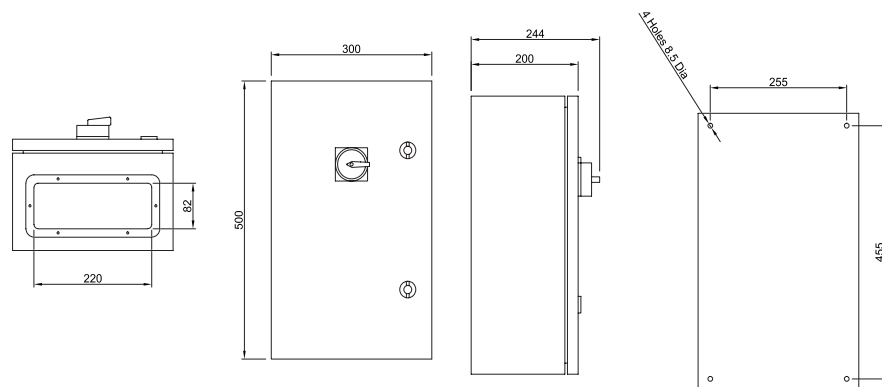
multicomp PRO

Enclosure Sizes

MCFS323PSNME
(Fitted with 10 x 38 Fuse Holders)



MCFS633PSNME/ MCFS803PSNME / MCFS1003PSNME
(Fitted with 22 x 58 Fuse Holders)



Part Number Table

Description	Part Number
Enclosed 3P + Switched Neutral Fused Switch, 32A	MCFS323PSNME
Enclosed 3P + Switched Neutral Fused Switch, 63A	MCFS633PSNME
Enclosed 3P + Switched Neutral Fused Switch, 80A	MCFS803PSNME
Enclosed 3P + Switched Neutral Fused Switch, 100A	MCFS1003PSNME

Dimensions : Millimetres

Important Notice : This data sheet and its contents (the "Information") belong to the members of the AVNET group of companies (the "Group") or are licensed to it. No licence is granted for the use of it other than for information purposes in connection with the products to which it relates. No licence of any intellectual property rights is granted. The Information is subject to change without notice and replaces all data sheets previously supplied. The Information supplied is believed to be accurate but the Group assumes no responsibility for its accuracy or completeness, any error in or omission from it or for any use made of it. Users of this data sheet should check for themselves the Information and the suitability of the products for their purpose and not make any assumptions based on information included or omitted. Liability for loss or damage resulting from any reliance on the Information or use of it (including liability resulting from negligence or where the Group was aware of the possibility of such loss or damage arising) is excluded. This will not operate to limit or restrict the Group's liability for death or personal injury resulting from its negligence. Multicomp Pro is the registered trademark of Premier Farnell Limited 2019.

Newark.com/multicomp-pro
Farnell.com/multicomp-pro
sg.element14.com/b/multicomp-pro

multicomp PRO