



# RS Pro

- Comprehensive class accuracy
- Cost effective moulded case current transformer
- Various mounting options including wall mounting, cable mounting and bus bar mounting
- Accuracy class 1
- Wire sealable terminal covers

RS Pro OMEGA XMER CT's are square type and encapsulated with UL94V-0 approved polycarbonate. These metering CT's feature sealable terminal covers and a wide range of primary current ratings. Available in various, Bus bar sizes, case widths, and mounting options.

## Specifications:

- Primary current 5A to 7500A
- Secondary current 1A or 5A
- Accuracy class 1
- Over current limiting factor FS5, FS10, FS15
- Rated frequency 50Hz or 60Hz
- Rated continuous thermal current (standard) 1,2 x in
- Rated short time thermal current with 60 x in, 1 s (Max 40kA)
- Rated isolation level 0.72/3 kV or 0.72/4 kV
- Altitude up to 2000 m
- Degree of protection IP20
- Degree of pollution 2
- Ambient temperature -5°C to + 55°C (0-95% relative humidity, non condensing!)
- Storage temperature -25°C to + 70°C
- Applied standards IEC 60044-1 / IEC 61869-1 : Performance, IEC - 61010 - 2 : Safety.

LCTM 62/W

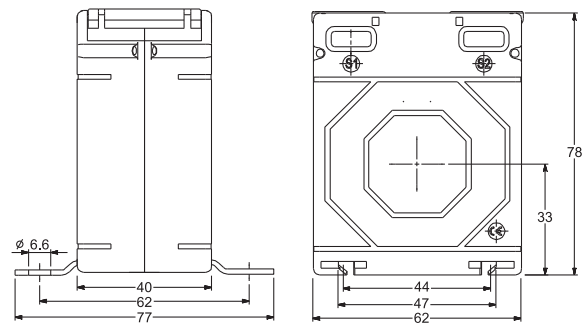


ENGLISH

## Technical Specifications

LCTM 62/W (62mm wide x 40mm deep)		
RS Pro No	Ratio	VA at Class 1
1718855	5/5A	5VA
1718856	10/5A	5VA
1718857	15/5A	5VA
1718858	20/5A	5VA
1718859	30/5A	5VA

## Dimensions



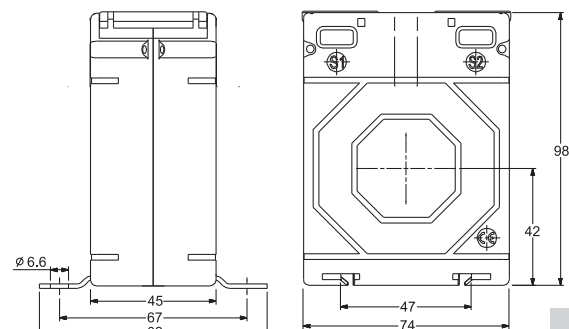
LCTM 74/W



## Technical Specifications

LCTM 74/W (74mm wide x 45mm deep)		
RS Pro No	Ratio	VA at Class 1
1718860	40/5A	10VA

## Dimensions





LCTR 45/21



LCTB 50/30



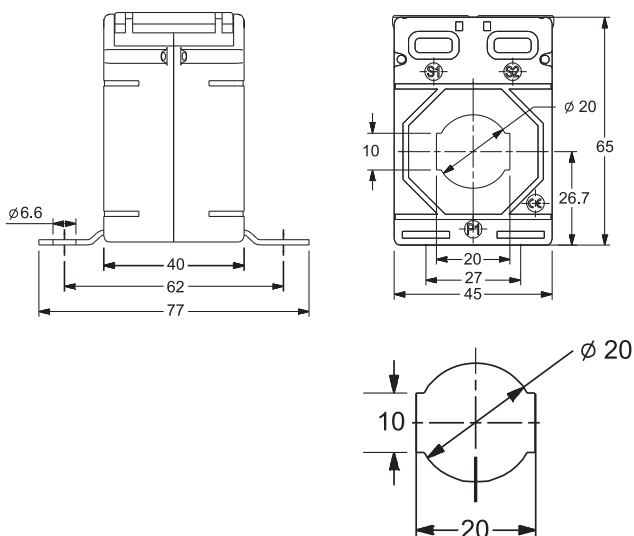
Technical Specifications

LCTR 45/21 (45mm wide x 40mm deep x (21 x 10mm) I.D.)		
RS Pro No	Ratio	VA at Class 1
1718749	50/1A	1.5VA
1718750	50/5A	1.5VA
1718751	60/5A	1.5VA
1718753	80/5A	2.5VA
1718754	100/1A	3.75VA
1718755	100/5A	3.75VA
1718756	125/5A	3.75VA
1718757	150/1A	3.75VA
1718758	150/5A	3.75VA
1718759	200/1A	5VA
1718760	200/5A	5VA
1718761	250/5A	5VA
1718762	300/5A	5VA

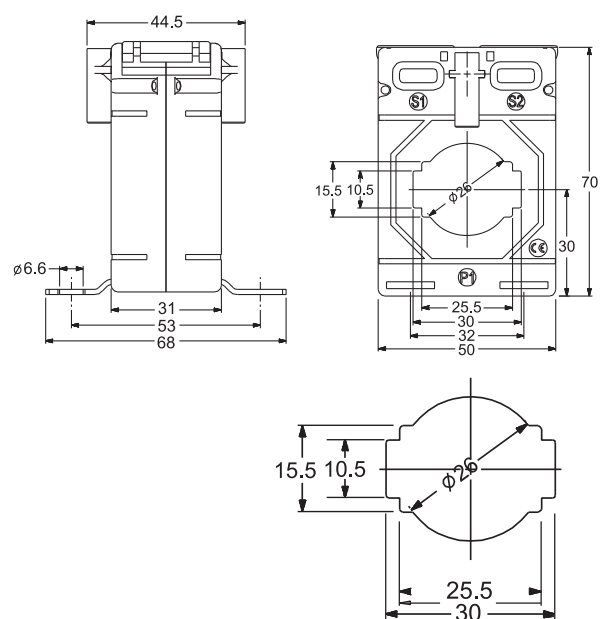
Technical Specifications

LCTB 50/30 (30) (50mm wide x 30mm deep x (30 x 10mm) I.D.)		
RS Pro No	Ratio	VA at Class 1
1718763	80/5A	1.5VA
1718764	100/1A	2.5VA
1718765	100/5A	2.5VA
1718766	125/5A	2.5VA
1718767	150/1A	3.75VA
1718769	150/5A	3.75VA
1718770	200/1A	5VA
1718771	200/5A	5VA
1718772	250/1A	5VA
1718773	250/5A	5VA
1718775	300/5A	5VA
1718776	400/1A	6.25VA
1718777	400/5A	6.25VA
1718778	500/5A	6.25VA
1718779	600/5A	7.5VA

Dimensions



Dimensions





LCTB 62/30



LCTB 62/40



Technical Specifications

LCTB 62/30 (62mm Wide x 40mm deep x (30 x 11mm) I.D.)

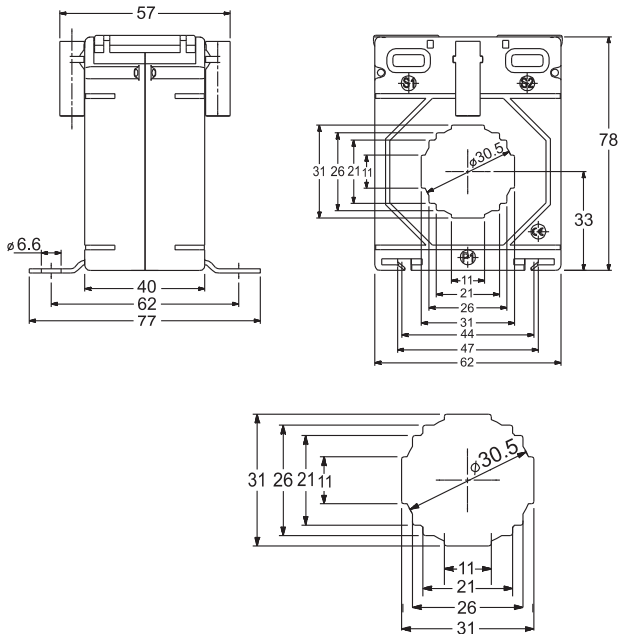
RS Pro No	Ratio	VA at Class 1
1718781	100/5A	2.5VA
1718782	125/5A	3.75VA
1718783	150/5A	5VA
1718784	300/5A	10VA

Technical Specifications

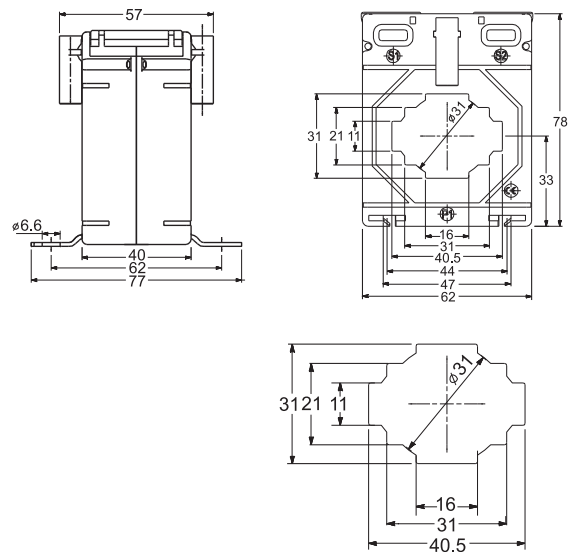
LCTB 62/40 (62mm wide x 40mm deep x (40 x 11mm) I.D.)

RS Pro No	Ratio	VA at Class 1
1718785	100/5A	1VA
1718786	150/5A	2.5VA
1718787	200/5A	3.75VA
1718788	250/5A	5VA
1718789	300/5A	5VA
1718790	400/1A	5VA
1718791	400/5A	5VA
1718792	500/5A	7.5VA
1718793	600/1A	10VA
1718794	600/5A	10VA
1718795	750/5A	10VA
1718797	800/1A	10VA
1718798	800/5A	10VA

Dimensions



Dimensions





LCTB 74/40



LCTB 86/60



Technical Specifications

**LCTB 74/40 (74mm wide x 45mm deep x (41x41mm) I.D.)**

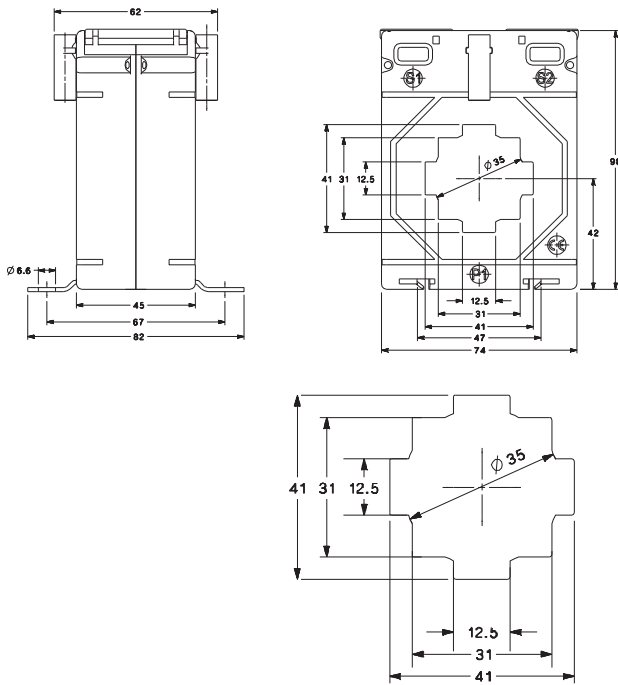
RS Pro No	Ratio	VA at Class 1
1718799	400/5A	12.5VA
1718800	500/5A	15VA
1718801	600/5A	20VA
1718802	800/5A	20VA
1718804	1000/5A	20VA

Technical Specifications

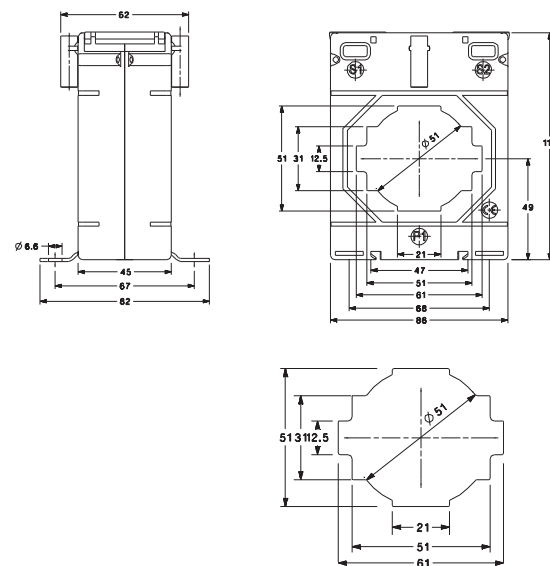
**LCTB 86/60 (86mm wide x 45mm deep x (61x51mm) I.D.)**

RS Pro No	Ratio	VA at Class 1
1718805	1000/5A	20VA
1718806	1250/1A	20VA
1718807	1250/5A	20VA
1718808	1500/1A	20VA
1718809	1500/5A	20VA
1718810	1600/5A	20VA

Dimensions



Dimensions





LCTB 104/80



LCTB 140/100H



Technical Specifications

**LCTB 104/80 (104mm wide x 45mm deep x (80 x 12mm) I.D.)**

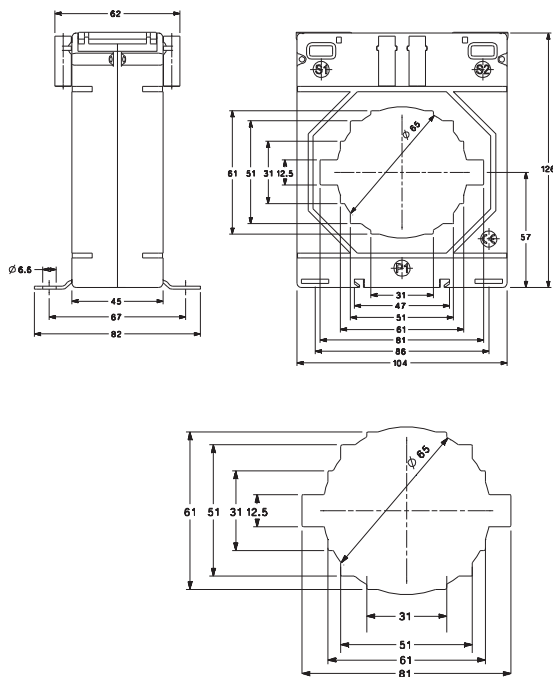
RS Pro No	Ratio	VA at Class 1
1718811	800/5A	15VA
1718812	1000/5A	20VA
1718813	1200/5A	30VA
1718814	1250/5A	30VA
1718815	1500/5A	30VA
1718816	1600/5A	30VA
1718817	2000/5A	30VA

Technical Specifications

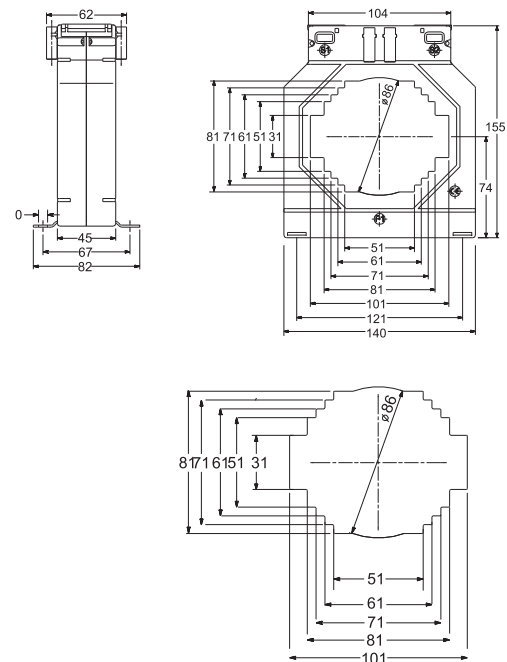
**LCTB 140/100H (140mm wide x 45mm deep x (100 x 30mm) I.D.)**

RS Pro No	Ratio	VA at Class 1
1718818	1500/5A	30VA
1718820	1600/5A	45VA
1718821	2000/5A	45VA
1718822	2500/5A	45VA
1718823	3000/5A	60VA

Dimensions



Dimensions





LCTB 100/130V



LCTB 130/100V



**Technical Specifications**

**LCTB 100/130V (140mm wide x 45mm deep x (38 x 128mm) I.D.)**

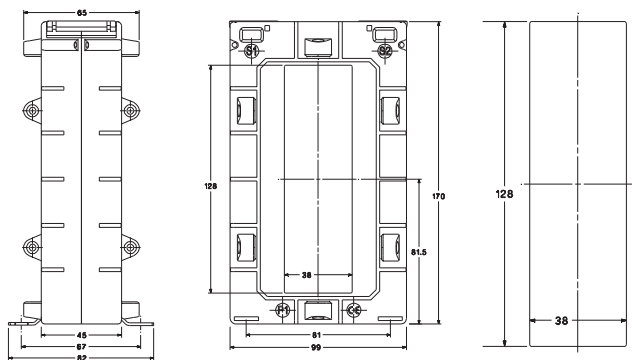
RS Pro No	Ratio	VA at Class 1
1718834	1000/5A	15VA
1718835	1250/5A	15VA
1718836	1500/5A	30VA
1718837	1600/5A	30VA
1718838	2000/5A	30VA
1718839	2500/5A	30VA

**Technical Specifications**

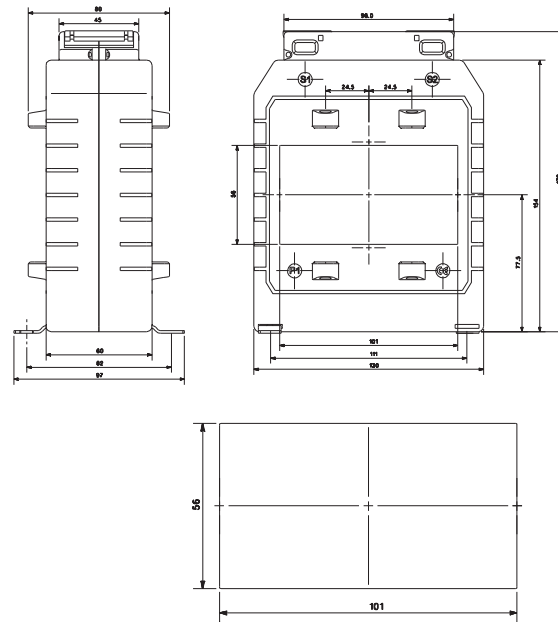
**LCTB 130/100V (140mm wide x 45mm deep x (101 x 56mm) I.D.)**

RS Pro No	Ratio	VA at Class 1
1718840	1000/5A	15VA
1718841	1250/5A	15VA
1718842	1500/5A	15VA
1718843	1600/5A	15VA
1718844	2000/5A	15VA
1718845	2500/5A	15VA

**Dimensions**



**Dimensions**





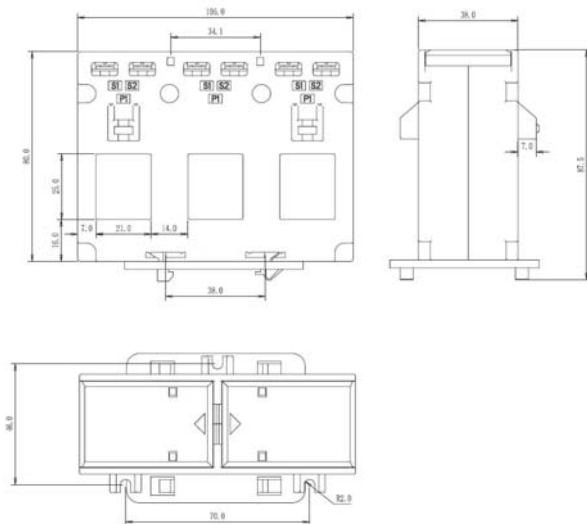
**3 Phase current transformers  
35mm Busbar Centres**



**Technical Specifications**

3 Phase current transformers 35mm Busbar Centres		
RS Pro No	Ratio	VA at Class 1
1718824	100/5A	1.5VA
1718825	125/5A	1.5VA
1718826	150/5A	1.5VA
1718827	160/5A	1.5VA
1718828	200/5A	1.5VA
1718829	250/5A	1.5VA

**Dimensions**



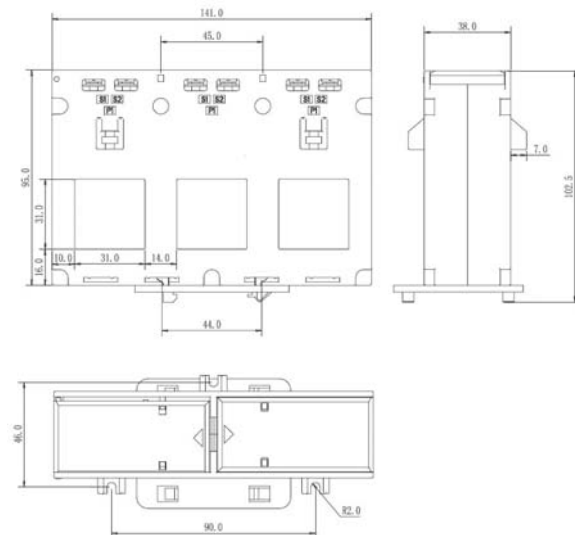
**3 Phase current transformers  
45mm Busbar Centre**



**Technical Specifications**

3 Phase current transformers 45mm Busbar Centre		
RS Pro No	Ratio	VA at Class 1
1718830	250/5A	1.5VA
1718831	300/5A	2.5VA
1718832	400/5A	2.5VA
1718833	600/5A	2.5VA

**Dimensions**





Split Core Current Transformer  
Aperture: 33 x 23mm



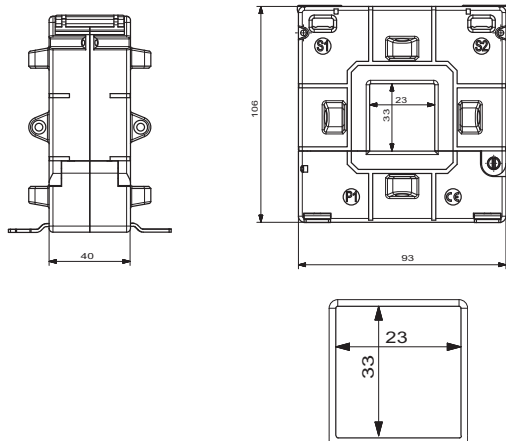
Split Core Current Transformer  
Aperture: 55 x 43mm



### Technical Specifications

Split Core Current Transformer Aperture: 33 x 23mm		
RS Pro No	Ratio	VA at Class 1
1718846	100/5A	1.5VA
1718847	150/5A	1.75VA
1718848	200/5A	2.5VA
1718849	250/5A	3.75VA
1718850	300/5A	5VA
1718851	400/5A	6.25VA

### Dimensions



### Technical Specifications

Split Core Current Transformer Aperture: 55 x 43mm		
RS Pro No	Ratio	VA at Class 1
1718852	500/5A	7.5VA
1718854	600/5A	10VA

### Dimensions

