

Range datasheet

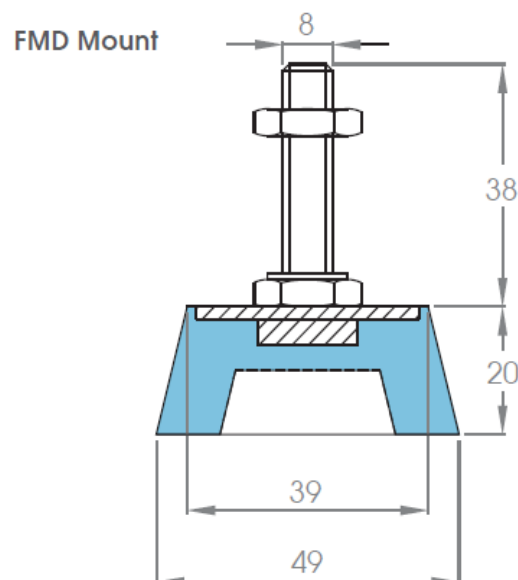
# RS Pro Anti-Vibration Rubber Feet



## Product Details -

Suitable for isolating vibration from heavy machinery and also acts as a levelling device for un-even flooring. Also available with stainless steel metal parts for use with food industry machinery.

## Line Drawing





## Range Table:

RS Stock number	Description	Maximum Static Load Rating (kg)	Rubber Hardness (ShA)
1263902	Machinery Mount (D) M8x49mm 65 ShA NR	40	65