



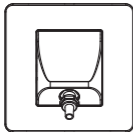
APPLICATION GUIDE
CATV Socket

CAT. NO.
E8431CATV

ZENcelo

Thank you for choosing **Schneider Electric ZENcelo** CATV Socket.
To ensure proper application of our product, please read through the following information before installation and use.

This application guide applies to the following products.



Cat.no.	Description
E8431CATV	1 Gang CATV Socket

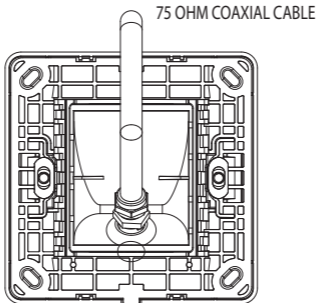
SPECIFICATIONS

Frequency	:5-862 MHz
Insertion Loss	:<1.0dB
Dimension	:87mm x 87mm
Mounting Centre	:60.3mm (wall box with 35mm depth or above)
Compliance	:BS3041

IMPORTANT NOTE

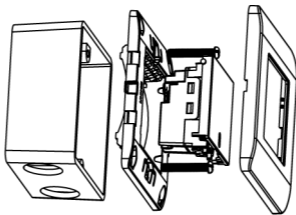
Please check your local wiring regulations before installation.

WIRING DIAGRAMS



MOUNTING INSTRUCTION

Please refer to the following diagram for proper installation.



Remarks: For surround mounting, align the clip locks on the faceplate and press firm on the surround. Complete engagement of the clip locks is indicated by a clear "click" sound.

