

FEATURES

- Rated currents up to 10A
- Quick connect(6.3*0.8mm)
- There are a variety of parts and combinations to meet different customer's EMC tests
- Customized products according to customer's requirements

RS PRO EMI FILTER

RS Stock No.: 2378654, 2378655



RS Professionally Approved Products bring to you professional quality parts across all product categories. Our product range has been tested by engineers and provides a comparable quality to the leading brands without paying a premium price.

Product Description

- Portable electrical and electronic equipment
- Single-phase power supply , switch-mode power supply
- Small and medium-sized machines and household equipment etc
- Medical equipment

General Specifications

Available with fuse holder for two (5*20mm) fuses
 (R5) types comply with the requirements of IEC/EN60601-1 for safety clearance, leakagecurrent and hipot testing. There are a variety of parts and combinations to meet different customer's EMC tests. Customized products according to customer's requirements

Mechanical Specifications

<i>size</i>	58X28X32.5mm (L X W X H)
<i>weight</i>	0.052kgs

Electrical Specifications

<i>Rated Voltage Max.</i>	250VAC,50/60Hz
<i>Operating frequency</i>	DC to 400Hz
<i>Rated currents</i>	4A@40°C
<i>Hipot Rating</i>	L-N 1450VDC, L/N-G 2000VAC/2250VDC

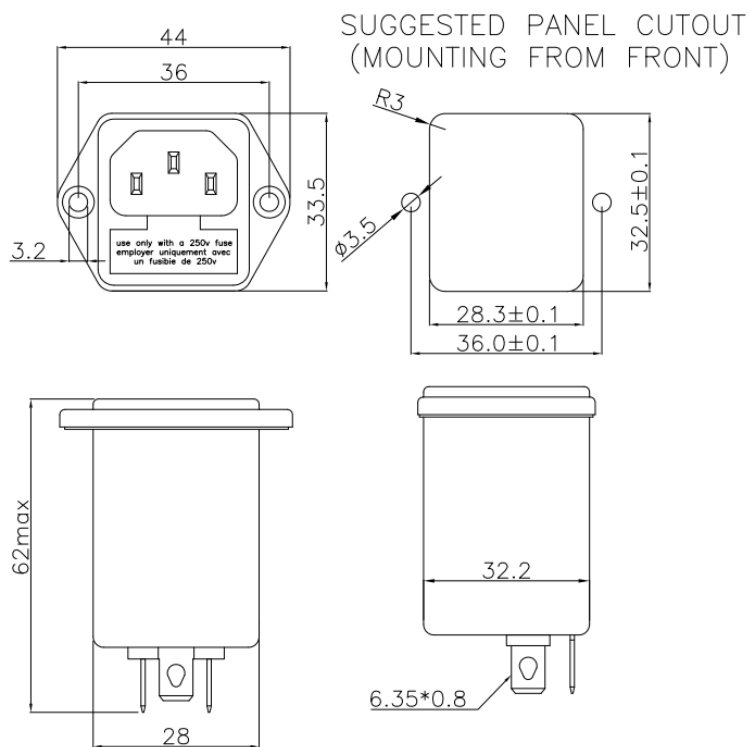
Protection Category

according to IEC 60529 IP40

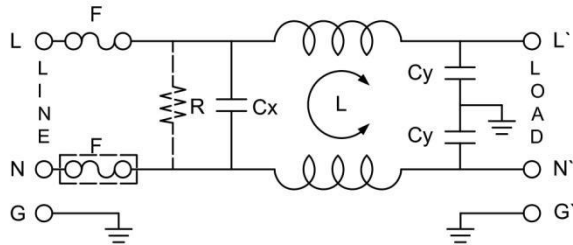
Approvals

<i>Declarations</i>	CUL;TUV;CQC;CE
<i>Standards Met</i>	UL1283, CSA C22.2 No.8; IEC/EN 60939,; CQC GB 15288/GB 15287-2008

Electrical Schematic:

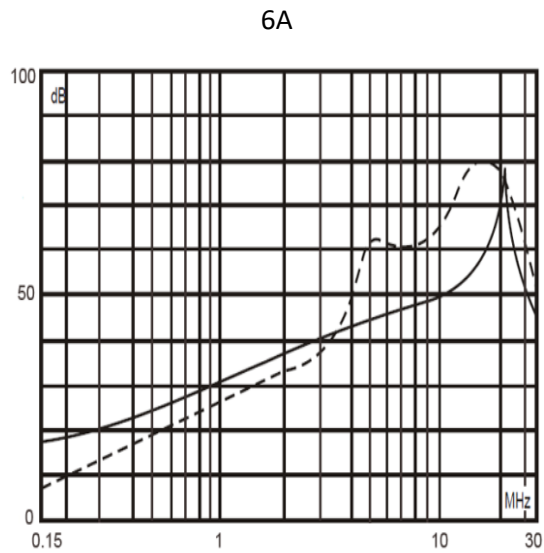


Physical Dimensions:



Insertion loss table(In 50ohm system according IEC/CISPR No.17)

———— Common mode - - - - - Differential mode



packaging

