

FEATURES

- Fits a standard XLR cutout
- Can be mounted from front or back
- Low rear profile ensures space-saving
- Made for standard cable assemblies- no soldering or punch terminations required

RS PRO Cat5e RJ45 Female Feedthrough Connector, 2 Port, UTP

RS Stock No.: 916-0243



RS Professionally Approved Products bring to you professional quality parts across all product categories. Our product range has been tested by engineers and provides a comparable quality to the leading brands without paying a premium price.

Product Description

Brought to you by RS Pro, this RJ45 Feed Through connector allows you to connect RJ45 types through a sturdy panel mount connection that is designed to fit within a standard XLR format chassis. Suitable for wall plugs and rack mounting, this XLR Format RJ45 connector is a valuable tool in connecting custom configurations that use standard cabling, and is commonly used in digital recording studio and network racking. All models are highly reliable and excellent quality.

Stock No. [916-0243](#)
 Stock No. [916-0255](#)
 Stock No. [916-0259](#)
 Stock No. [907-5665](#)
 Stock No. [907-5668](#)
 Stock No. [907-5652](#)
 Stock No. [907-5656](#)
 Stock No. [916-0252](#)

General Specifications

Type	Feedthrough Connector
Interface Type	RJ45 Female
LAN Category	Cat5e
Number of Ports	2
Wiring Configuration	T568A + T568B
Shield Type	UTP
Colour	Black
Application	Servers, Professional stage lighting, Military applications

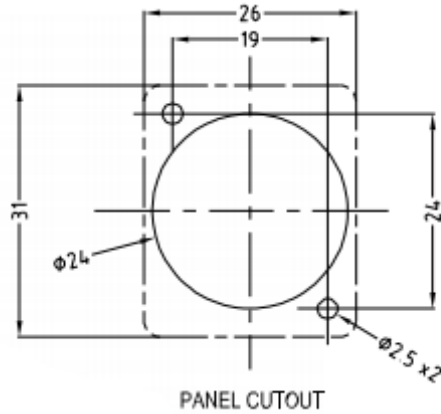
Mechanical Specifications

Width	26mm
--------------	------

Approvals



Compliance/Certifications	2011/65/EU and 2015/863
----------------------------------	-------------------------



Part No.
CP30205NMB
RS Stock No.
916-0215

Description
USB 3.0 A to USB 3.0 A, CSK hole.



Part No.
CP30206NMB
RS Stock No.
916-0224

Description
USB 3.0 B to USB 3.0 A, CSK hole.



Part No.
CP30207NMB
RS Stock No.
916-0227

Description
USB 2.0 B to USB 2.0 A, CSK hole.

Ethernet Couplers



		Part No. CP30208NMB RS Stock No. 916-0221	Description USB 2.0 A to USB 2.0 A, CSK hole.
		Part No. CP30209NMB RS Stock No. 916-0230	Description USB 2.0 A to USB 2.0 B, CSK hole.
		Part No. CP30213MB RS Stock No. 916-0233	Description LC Duplex SM adaptor, CSK Hole
		Part No. CP30214MB	Description LC Duplex MM, CSK Hole
		Part No. CP30215MB RS Stock No. 916-0246	Description SC Simplex SM, CSK Hole
		Part No. CP30216MB	Description SC Simplex MM, CSK Hole
		Part No. CP30217MB RS Stock No. 916-0249	Description Toslink, CSK Hole
		Part No. CP30220MB RS Stock No. 916-0243	Description UTP Cat5e RJ45-RJ45, CSK Hole
			

Ethernet Couplers



Part No.
CP30220SMB
RS Stock No.
916-0252

Description
FTP Cat5e RJ45-RJ45, Shielded,
CSK Hole



Part No.
CP30222SMB
RS Stock No.
916-0255

Description
UTP Cat6 RJ45-RJ45, CSK Hole



Part No.
CP30222SMB
RS Stock No.
916-0259

Description
FTP Cat6 RJ45-RJ45, Shielded, CSK Hole



Part No.
CP30230MB

Description
RCA Phono RED, CSK Hole



Part No.
CP30231MB

Description
RCA Phono WHITE, CSK Hole



Part No.
CP30232MB

Description
RCA Phono YELLOW, CSK Hole

Other colours available on request.



Part No.
CP30241MB

Description
Blanking Plate, CSK Hole