



725-5541 725-5553
725-5566 725-5563

1 WIRING DIAGRAM FOR
3 PHASE SUPPLY WITH
400V COIL

MFRS PART NOS:
YD11400
YD15400
YD22400
YD30400

2 INCOMING TP SUPPLY

L1 L2 L3

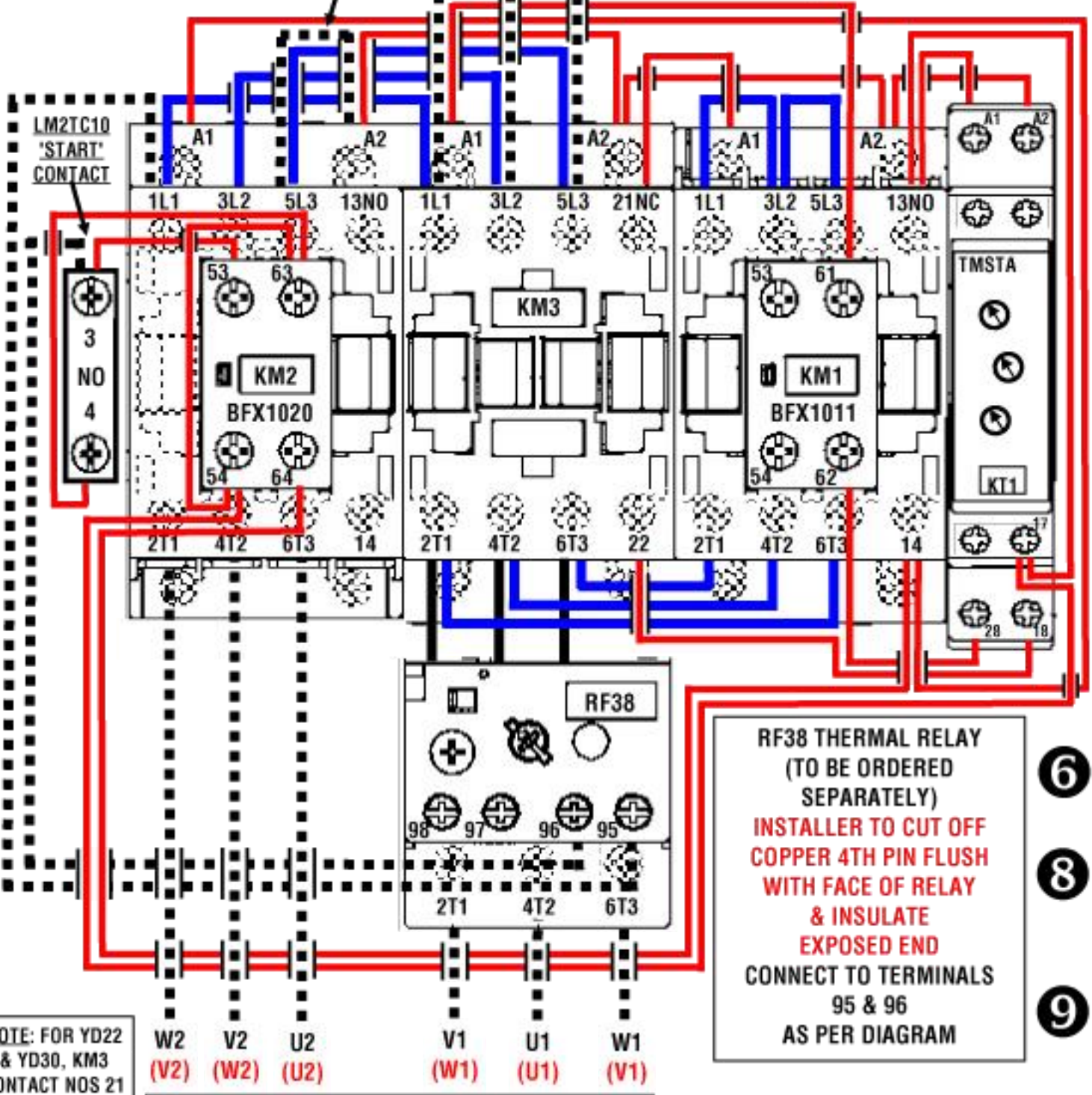
NOTE:
INSERT
LINK L3-A2

KEY

- CONTROL WIRING ALREADY INCLUDED —
- STAR-DELTA LINKS ALREADY INCLUDED —
- CONNECTIONS TO BE MADE BY INSTALLER

WARNING
TO PREVENT RISK OF DAMAGE OR
SAFETY HAZARDS, THIS EQUIPMENT
SHOULD ONLY BE INSTALLED BY
SUITABLY QUALIFIED OR COMPETENT
PERSONS AND IN ACCORDANCE WITH
ALL APPLICABLE ELECTRICAL
REGULATIONS

LSTAR005 1GB DP 10 10



6 RF38 THERMAL RELAY
(TO BE ORDERED
SEPARATELY)
8 INSTALLER TO CUT OFF
COPPER 4TH PIN FLUSH
WITH FACE OF RELAY
& INSULATE
EXPOSED END
9 CONNECT TO TERMINALS
95 & 96
AS PER DIAGRAM

NOTE: FOR YD22
& YD30, KM3
CONTACT NOS 21
& 22 ARE
REPLACED WITH
KM3 CONTACT
NOS 61 & 62

OUTGOING MOTOR CONNECTIONS
(CONNECTIONS FOR SHOWN IN RED)

10