



ENGLISH

M12 Connectivity

4 Port Distribution Box - 4 x M12, 5 pole (2 signals per port) with removable home run cable

Stock No's 174-7824, 174-7825



Primary Features

LED indication for easy diagnostics

IP65, IP67 when leads inserted and tightened

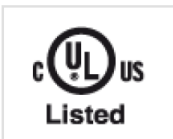
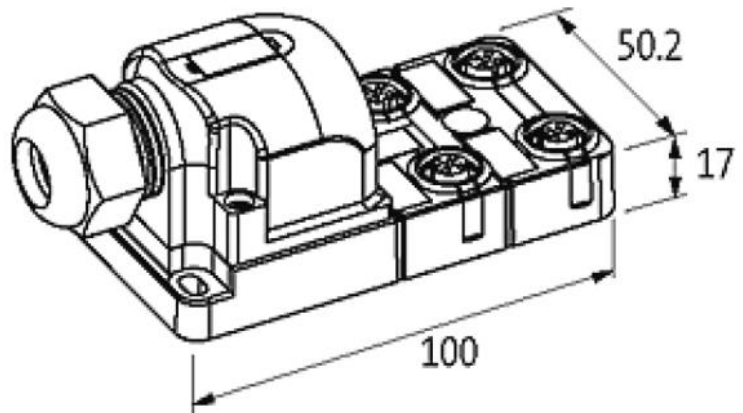
Removable home run lead for easy installation and maintenance

UL and CSA approved

Available in home run cable lengths:

5 Metres (RS 174-7824)

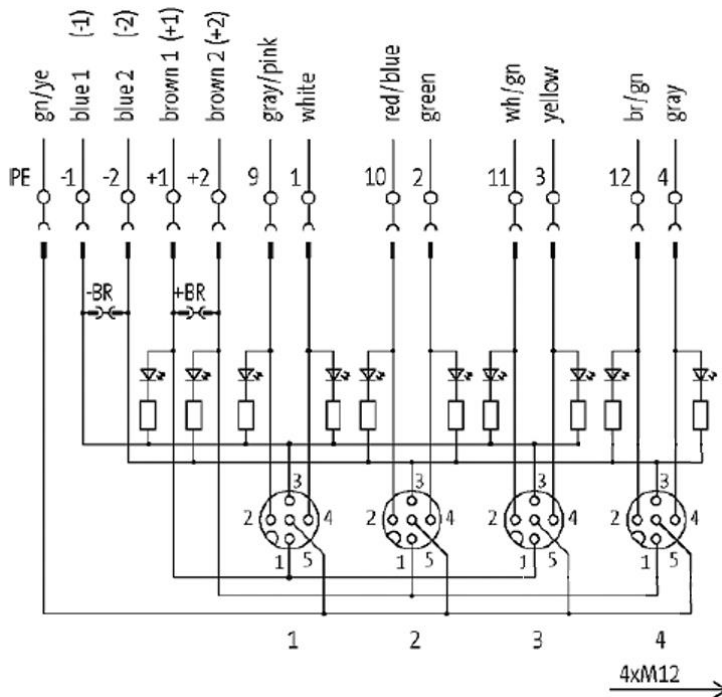
10 Metres (RS 174-7825)



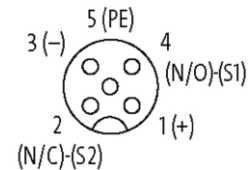


Wiring Schematic

174-7824, 174-7825



M12 Females 5-pole



Contact Layout

PIN 1	(+)
PIN 2	(NC)/(S2)
PIN 3	(-)
PIN 4	(NO)/(S1)
PIN 5	(Earth)
LED display	LED (green): Power / LED (yellow): (S1/S2)

Cable

Cable number	363
No./diameter of wires	8×0.34 + 3×0.75 mm ²
Wire isolation	PVC
C-track properties	2 Mio.



Cable *continued*

174-7824, 174-7825

Jacket Color	gray
Material (jacket)	PUR/PVC (UL/CSA)
Outer Ø	8.1 mm ±5%
Bend radius (moving)	10 × outer Ø
Temperature range (fixed)	-30...+80 °C
Temperature range (mobile)	-5...+70 °C
Color (jacket)	gray
Bend radius (fixed)	10 × outer Ø

Technical Data

Operating voltage	24 V DC ±25%
Housing	Plastic, flame retardant
Protection	IP65 and IP67 when plugged and screwed down (EN 60529)
Material	PBT
Signal per port	2
Operating current per contact	max. 4 A
Total current	max. 8 A
Locking of ports	Screw thread M12 × 1 mm
Temperature range	-20...+80 °C
Dimensions H × W × D	100×50.2×17 mm