

XMLP600PP130

Electronic pressure sensors, Pressure sensors XM, transmitter, XMLP, 600 PSI, 1/4"18NPT, 0,5...4,5 V, Packard, set 1



Main

| | |
|---------------------------|--|
| Range of product | OsiSense XM |
| Product or component type | Electronic pressure sensors |
| Pressure sensor type | Pressure transmitter |
| Pressure sensor name | XMLP |
| Electrical circuit type | Control circuit |
| Pressure rating | 4136.85 kPa |
| Local display | Without |
| Controlled fluid | Fresh water (0...135 °C) Air (-40...135 °C) Hydraulic oil (-40...135 °C) Gas (-40...135 °C) Refrigeration fluid (-40...135 °C) |
| Fluid connection type | 1/4" - 18 NPT (male) |
| Electrical connection | 1 male connector Packard Metripack 150 3 pins |
| [Us] rated supply voltage | 5 V DC SELV (voltage limits: 4.5...5.5 V) |
| Current consumption | < 7 mA |
| Type of output signal | Analogue |
| Analogue output function | 0.5...4.5 V, 3-wire |
| Quantity per set | Set of 1 |
| Type of packing | Individual |

Complementary

| | |
|---|--------------------|
| Pressure setting range | 0.00...4136.85 kPa |
| Maximum permissible accidental pressure | 12410.56 kPa |
| Destruction pressure | 24821.13 kPa |

| | |
|--|---|
| Materials in contact with fluid | Stainless steel AISI 316L |
| Operating position | Any position |
| Protection type | Reverse polarity Load short-circuit |
| Electromagnetic compatibility | Electrical fast transient/burst immunity test conforming to EN/IEC 61000-4-4 2 kV Electrostatic discharge immunity test conforming to EN/IEC 61000-4-2 8 kV air, 4 kV contact 1.2/50 μ s shock waves immunity test conforming to EN/IEC 61000-4-5 1 kV 42 Ohm Immunity to magnetic fields conforming to EN/IEC 61000-4-8 100 A/m 50 Hz Susceptibility to electromagnetic fields conforming to EN/IEC 61000-4-3 10 V/m 80...3000 MHz Radiated RF fields conforming to EN/IEC 61000-4-6 10 V 0.01...80 MHz |
| [Uimp] rated impulse withstand voltage | 0.5 kV |
| Response time on output | \leq 2 ms 10...90 % of full scale |
| Measurement accuracy | +/- 0.5 % of the measuring range |
| Resolution | 0.1 % of the measuring range |
| Drift of the sensitivity | +/- 0.02 % of measuring range/°K |
| Drift of the zero point | +/- 0.02 % of measuring range/°K |
| Mechanical durability | 10000000 cycles |
| Net weight | 0.09 kg |
| Diameter | 26 mm |
| Length | 55 mm |

Environment

| | |
|---------------------------------------|--|
| Standards | NSF ANSI 61 EN/IEC 61326-2-3 |
| Product certifications | RCM EAC CULus CE |
| Protective treatment | TC |
| Ambient air temperature for operation | -30...85 °C |
| Ambient air temperature for storage | -50...100 °C |
| Vibration resistance | 20 gn (f = 15...2000 Hz) conforming to EN/IEC 60068-2-6 |
| Shock resistance | 100 gn for 11 ms conforming to EN/IEC 60068-2-27 |
| IP degree of protection | IP65 conforming to EN/IEC 60529 IP67 conforming to EN/IEC 60529 |

Packing Units

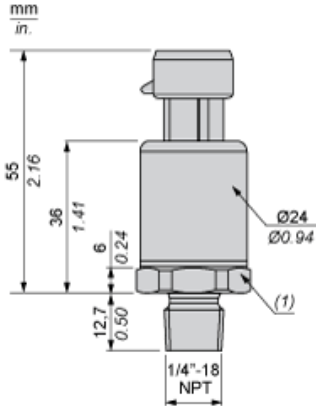
| | |
|------------------------------|--------|
| Unit Type of Package 1 | PCE |
| Number of Units in Package 1 | 1 |
| Package 1 Weight | 90 g |
| Package 1 Height | 4 cm |
| Package 1 width | 8.4 cm |
| Package 1 Length | 4.4 cm |

Offer Sustainability

| | |
|----------------------------|---|
| Sustainable offer status | Green Premium product |
| REACH Regulation | REACH Declaration |
| REACH free of SVHC | Yes |
| EU RoHS Directive | Pro-active compliance (Product out of EU RoHS legal scope) EU RoHS Declaration |
| Mercury free | Yes |
| RoHS exemption information | Yes |
| Environmental Disclosure | Product Environmental Profile |
| California proposition 65 | WARNING: This product can expose you to chemicals including: Diisononyl phthalate (DINP), which is known to the State of California to cause cancer, and Di-isodecyl phthalate (DIDP), which is known |

to the State of California to cause birth defects or other reproductive harm. For more information go to www.P65Warnings.ca.gov

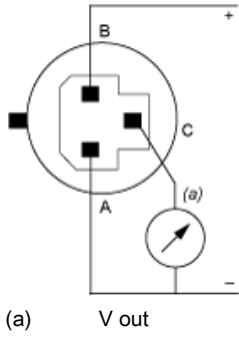
Dimensions



(1) SW24 tightening torque ≤ 25 N.m / 221 lb-in

Wiring Diagram

3-Wire Technique (0.5 – 4.5 V)



Curves

