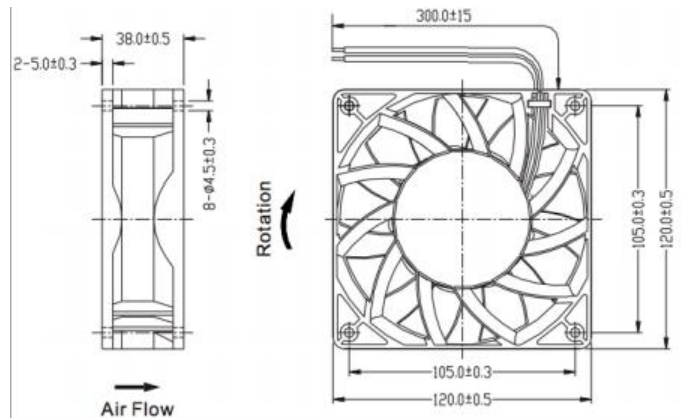


# Datasheet

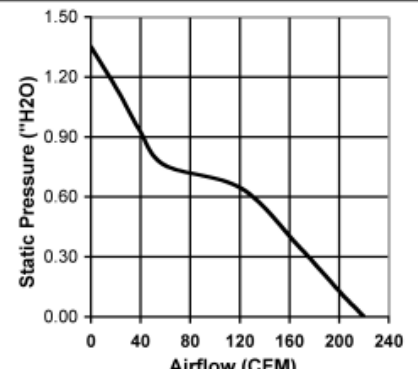
## DC Axial Fan

RS Stock number 703-3476

Dimensions: (mm)



### Specification

Frame & Impeller	PBT, UL94V-O plastic	<b>Available Options:</b> Tachometer (Frequency Generator) Alarm (Rotation Detector) Thermistor (Thermal Speed Control) Lead or hub mounted	
Connection	2x Lead wires 24AWG		
Motor	Brushless DC, auto restart, polarity protected		
Bearing System	Dual ball bearing		
Insulation Resistance	10M ohm between leadwire and frame (500VDC)		
Dielectric Strength	1 second at 500 VAC, max leakage - 500 MicroAmp		
Temperature Range	-10C ~ +70C		
Life (L10)	65,000 hours (45C)		

RS Order number	7033467	7033464	7033476
Model Number			
Part Number			
Nominal Voltage	12 VDC	24 VDC	48 VDC
Nominal Current	3.6 A	1.7 A	1.0 A
Voltage Range	6 ~ 14 VDC	12 ~ 28 VDC	24 ~ 55 VDC
Rated Speed (RPM)	5000	5000	5000
Airflow (CFM)	226	226	226
Noise Level (dB)	65	65	65
Max. Static Pressure	1.35 "H2O	1.35 "H2O	1.35 "H2O