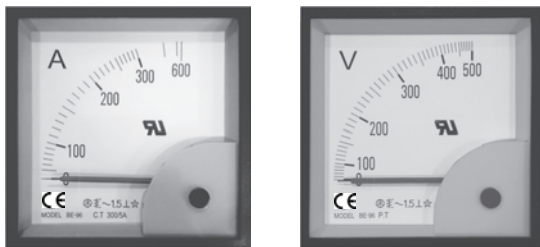


72x72 & 96x96mm Analogue Moving Iron Meters for AC 72x72 & 96x96mm Analogue Moving Coil Meters for DC

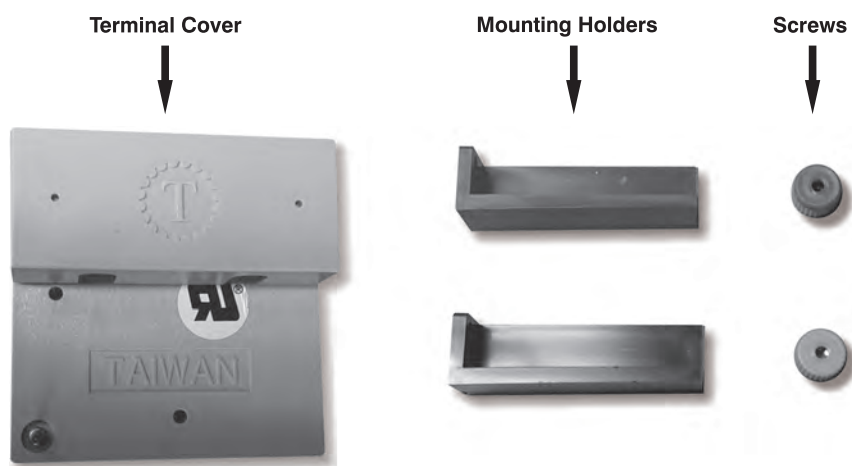


- ① Accessories
- ② External and Cut-out Dimension
- ③ Connection Diagrams
- ④ Installation

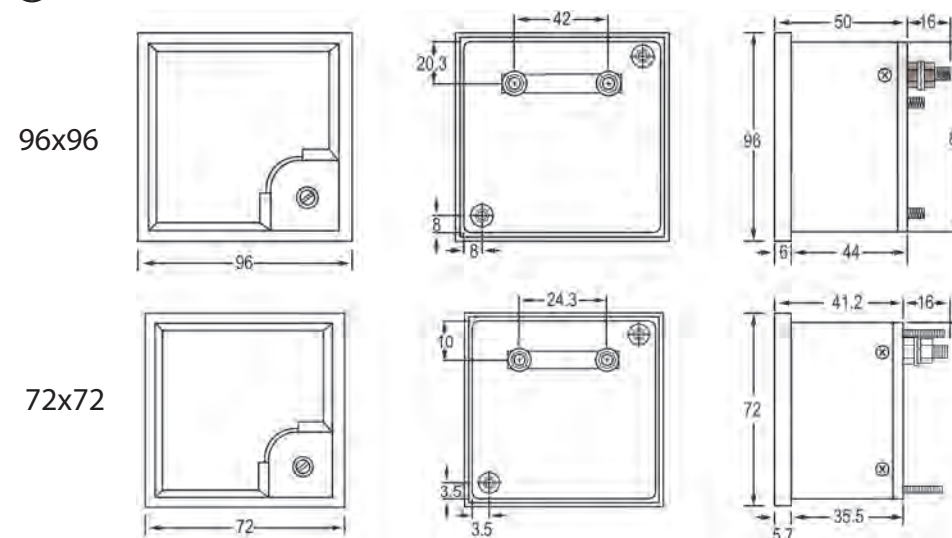
Specifications:

| | |
|------------------|--|
| Standards: | IEC51, BS89, DIN 43780, VDE 0410 |
| Enclosure: | ABS & Polycarbonate Base Material UL 94VL Case & Terminal protection material UL 94VO Scale division markings DIN 43802 |
| Accuracy: | Class 1.5 (+/- 1.5% Maximum error) |
| Overload: | Current 1.2 x In or Un for 2 Hours 10 x In or Un for 5 seconds |
| Voltage: | Current 1.2 x In or Un for 2 Hours 10 x In or Un for 5 seconds |
| Insulation Test: | 2KV 50/60Hz for 1 minute |
| Temperature: | Working temperature -25 - +50 degrees Centigrade |

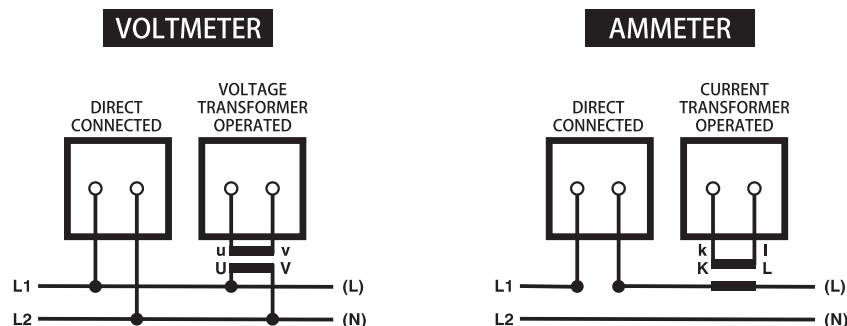
① Accessories: Terminal Cover, Mounting Holders, Screws



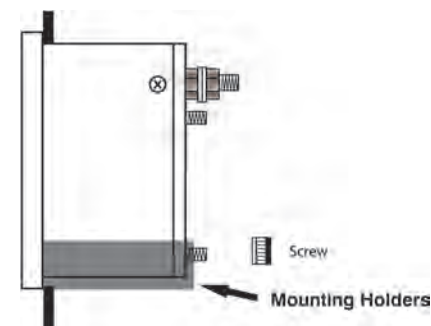
② External and Cut-out Dimensions



③ Connection Diagrams



④ The meter is fixed in the panel by two screw holders situated on arbitrary opposite corners of the case.



72x72 & 96x96mm Analogue Moving Iron Meters for AC 72x72 & 96x96mm Analogue Moving Coil Meters for DC

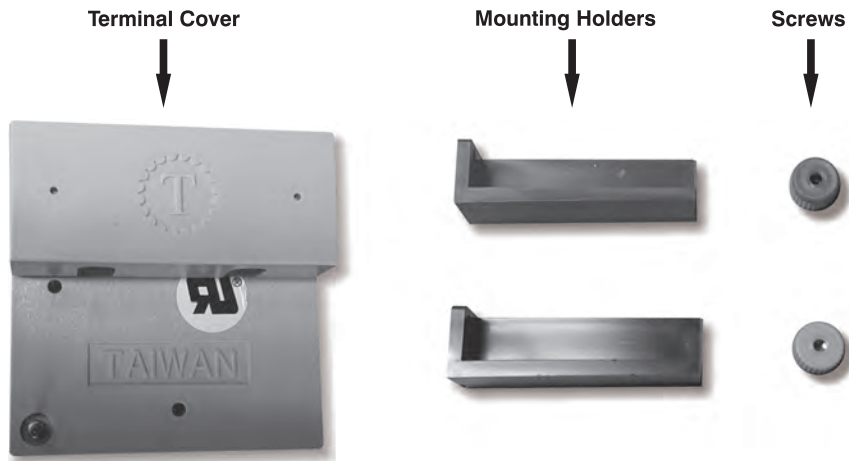


- ① Accessories
- ② External and Cut-out Dimension
- ③ Connection Diagrams
- ④ Installation

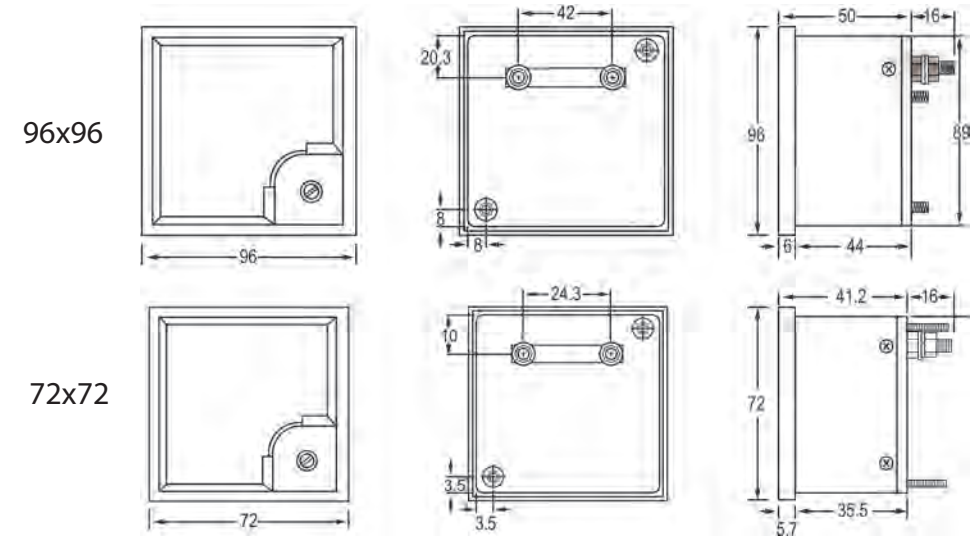
Specifications:

| | |
|------------------|--|
| Standards: | IEC51, BS89, DIN 43780, VDE 0410 |
| Enclosure: | ABS & Polycarbonate Base Material UL 94VL Case & Terminal protection material UL 94VO Scale division markings DIN 43802 |
| Accuracy: | Class 1.5 (+/- 1.5% Maximum error) |
| Overload: | Current 1.2 x In or Un for 2 Hours 10 x In or Un for 5 seconds |
| Voltage: | Current 1.2 x In or Un for 2 Hours 10 x In or Un for 5 seconds |
| Insulation Test: | 2KV 50/60Hz for 1 minute |
| Temperature: | Working temperature -25 - +50 degrees Centigrade |

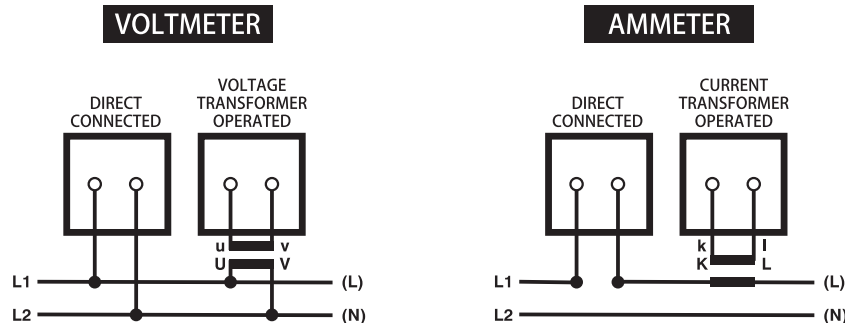
① Accessories: Terminal Cover, Mounting Holders, Screws



② External and Cut-out Dimensions



③ Connection Diagrams



④ The meter is fixed in the panel by two screw holders situated on arbitrary opposite corners of the case.

